

Product Information Packet

April 28, 2017

Data shown is for the current revision model #. Ensure your nameplate model # matches.

| | |
|----------------------------|-----------------------|
| Model Number: | 5KS444SAJ6008A |
| Catalog Number: | V4716 |
| Instruction Manual: | GEK-95351 |
| Connection Diagram: | GEM2034E-FIG1 |
| Outline Drawing: | 148CB44TMHKCCLA0001 |

| Accessory Connection Diagrams | | | |
|-------------------------------|-----------|------------------------------|-----------|
| Bearing Thermocouple: | None | Heater: | 3027JE-1C |
| RTD: | None | Thermistor: | None |
| Thermostat: | 3027JE-2A | Winding Thermocouple: | None |
| Bearing RTD: | None | | |

Table of Contents

| | |
|-----------------------------|----|
| Specification | 01 |
| Performance Characteristics | 02 |
| Outline Drawing | 03 |
| Connection Drawing(s) | 04 |
| Spare parts | 05 |



Marks:

| | | | |
|----------------------------|-----------------------|-------------------------------|--------------|
| MODEL NUMBER: | 5KS444SAJ6008A | Estimated Weight: | 1830 Lbs |
| Outline Drawing: | 148CB44TMHKCCLA0001 | Time Rating: | CONT |
| Connection Diagram: | GEM2034E-FIG1 | Enclosure: | TEFC |
| Instruction Book: | GEK-95351 | Encl Construction: | X\$D |
| Design Code: | 44BD1118AC | Ambient Max(°C): | 40 |
| Type: | KS | Alt Ambient Max(°C): | -- |
| Frame: | L444TP16 | Insulation Class: | H |
| Phases: | 3 | NEMA Design: | B |
| Poles: | 4 | Nominal Efficiency: | 95.4 % |
| Output Power: | 125HP 92.5KW | Guaranteed Efficiency: | 95.0 |
| RPM: | 1780 | 3/4 Load Efficiency: | 95.1 |
| Voltage: | 460 | KVA Code: | G |
| Hertz: | 60 | Max KVAR: | 36.6 |
| Amps - FL: | 144.0 | Power Factor: | 85.5 |
| Service Factor: | 1.15 | Bearing - DE: | 6217C3 |
| Alt Service Factor: | -- | Bearing - ODE: | 235A2536AB01 |

Enclosure is Totally Enclosed Fan-Cooled

Stamped Nameplate Notes:

HTR LDS HE1-HE2 115V 145W
 ROT CCW FACING ODE LEAD/PH SEQ 1-2-3/1-2-3
 THERMOSTAT LEADS TB1-TB2 TRIP
 INVERTER DUTY PER NEMA MG1 PART 31
 ALTERNATE RATING FOR PWM CONTROL:1.0SF 40C AMBIENT
 VAR TORQUE RANGE 5-60 HZ
 SUITABLE FOR 100 HP, 380V, 50 HZ WITH
 139.0 AMPS AND 1480 RPM AT 1.00 SF

Additional Information:

4 POLE, VERT HOLLOW SHAFT HIGH THRUST (1D)
 700 CU IN - 3.00" NPT
 BEARING LIFE 8760 HRS AT 1350 LB THRUST
 OIL RESISTANT SLEEVING ON LEADS
 N.C. TRIP TSTAT LDS TO MAIN CONDUIT BOX
 115V HTR LDS TO MAIN CONDUIT BOX
 COUPLING NOT INCLUDED IN BOM, WILL BE
 ORDERED SEPERATELY
 SHAFT GROUNDING RING MOUNTED ON DE BRG CAP
 INSULATED LOWER HALF COUPLING

Performance Characteristics

1st Winding 1st Connection

Design: 44BD1118AC

Marks:

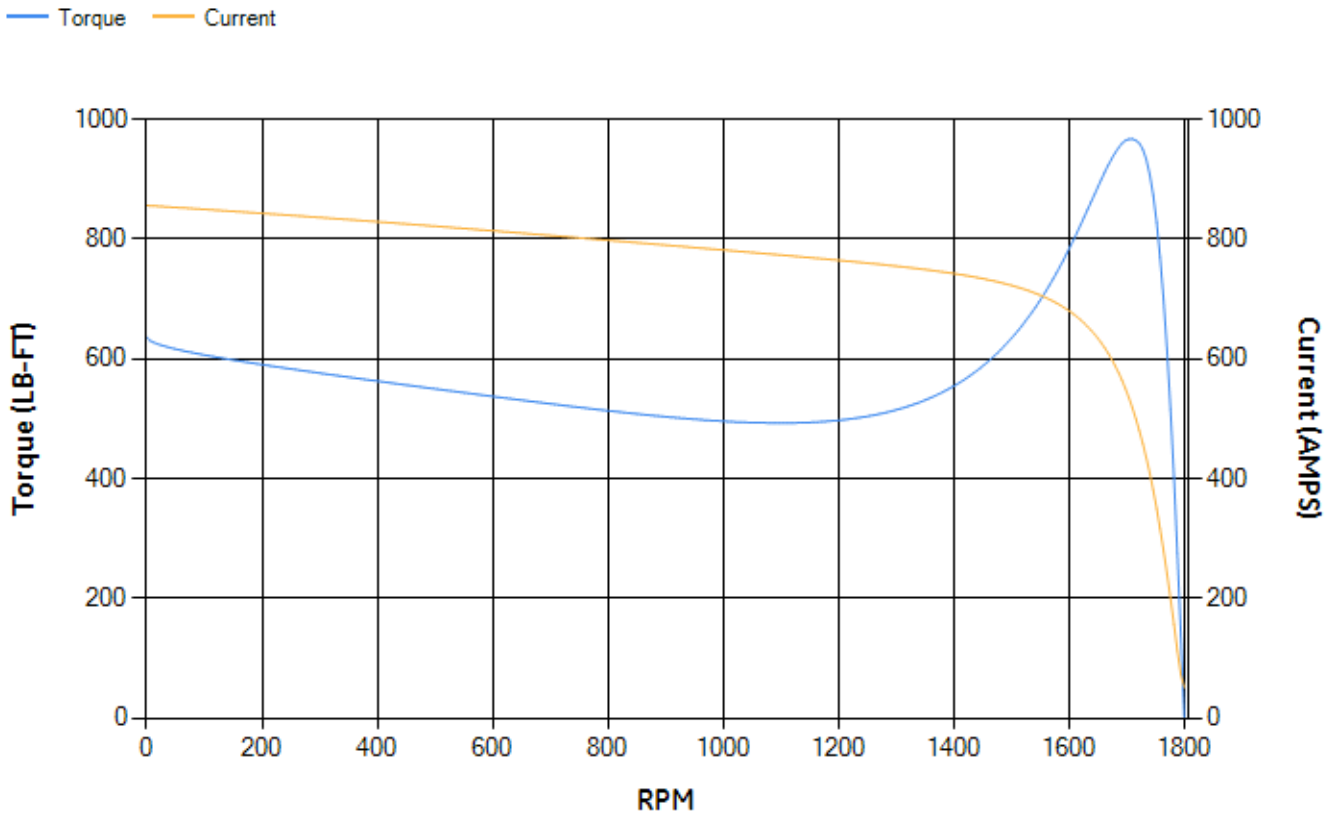
| LOAD % | 125.0 | 115.0 | 100.0 | 75.0 | 50.0 | 25.0 | 0.0 |
|--------|--------|--------|--------|--------|-------|-------|-------|
| % EFF | 94.43 | 94.61 | 95 | 94.84 | 94.16 | 90.9 | 0.00 |
| % PF | 86.93 | 86.59 | 85.62 | 82.09 | 73.5 | 51.9 | 5.06 |
| AMPS | 178.14 | 164.23 | 143.84 | 112.71 | 84.53 | 61.99 | 51.05 |

| | | | | | |
|--------------------|--------|--------------------|--------|--------------------|--------|
| TORQ(FL)#FT | 368.37 | TORQ(LR)%FL | 172.72 | TORQ(BD)%FL | 262.21 |
| AMPS(LR) | 856.04 | PF AT START | 0.32 | | |

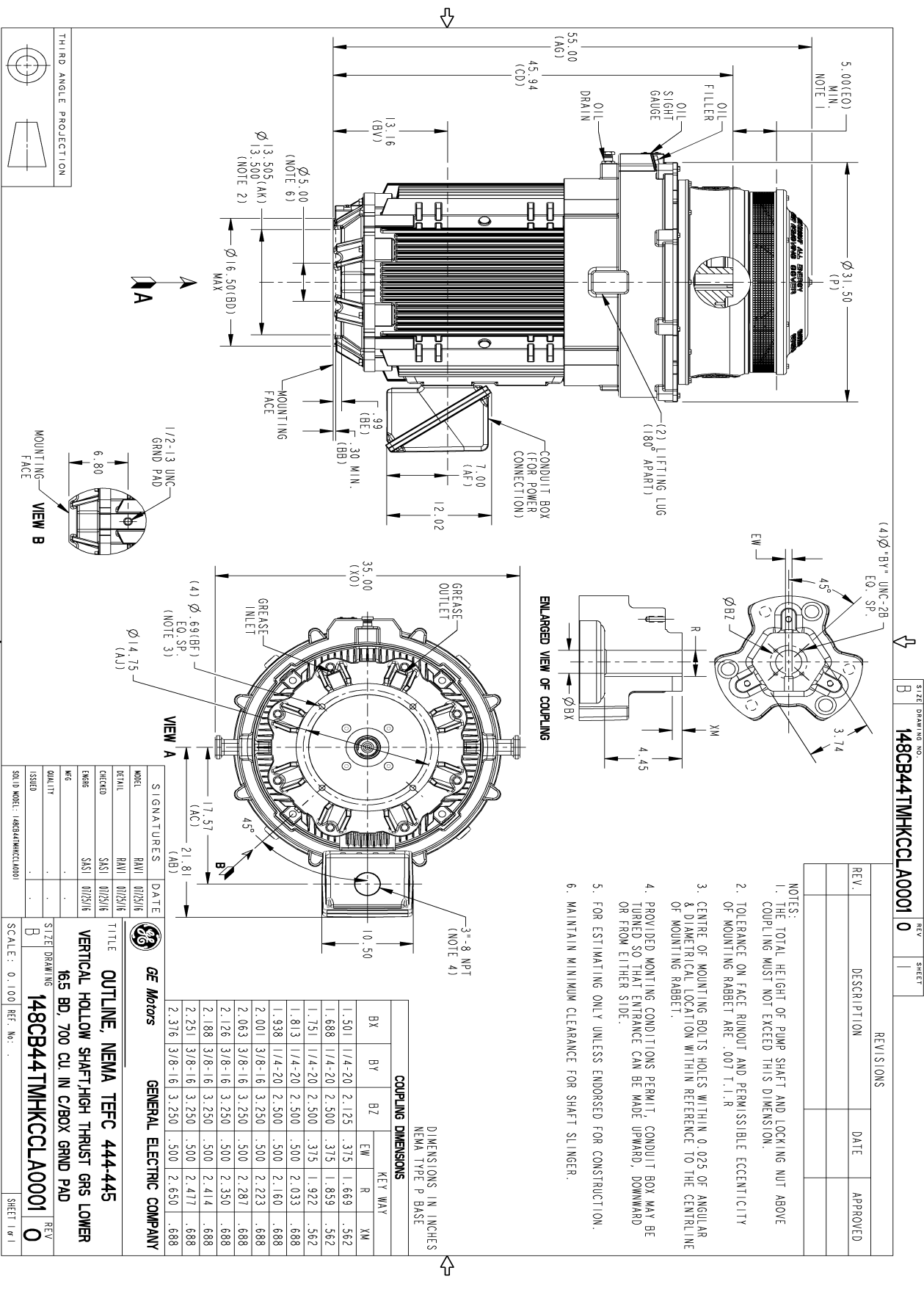
This motor is capable of two cold or one hot start with a maximum connected load inertia of 1863 Lb-Ft Sq (78.43 Kg-meter Sq)at 100% voltage, where the load torque varies with the square of the speed. Acceleration time with maximum inertia and the above load type is 24 seconds. Safe stall time at 100% voltage is 58 seconds cold, 29 seconds hot. Rotor inertia is 49.63 Lb-Ft Sq (2.09 Kg-meter Sq).

| | | | |
|---------------------------|-------|---------------------------|--------|
| Open Circuit A-C: | 0.704 | Short Circuit D-C: | 0.029 |
| Short Circuit A-C: | 0.038 | X/R Ratio: | 10.862 |
| Stator Slots: | 72 | Rotor Slots: | 58 |

Speed Torque Current Curve (First Connection, First Speed)



Marks:



| REV. | DESCRIPTION | DATE | APPROVED |
|------|-------------|------|----------|
| | | | |
| | | | |

NOTES:

1. THE TOTAL HEIGHT OF PUMP SHAFT AND LOCKING NUT ABOVE COUPLING MUST NOT EXCEED THIS DIMENSION.
2. TOLERANCE ON FACE RUNOUT AND PERMISSIBLE ECCENTRICITY OF MOUNTING RABBIT ARE .007 T.I.R.
3. CENTRE OF MOUNTING BOLTS HOLES WITHIN 0.025 OF ANGULAR & DIAMETRICAL LOCATION WITHIN REFERENCE TO THE CENTRLINE OF MOUNTING RABBIT.
4. PROVIDED MONTING CONDITIONS PERMIT, CONDUIT BOX MAY BE TURNED SO THAT ENTRANCE CAN BE MADE UPWARD, DOWNWARD OR FROM EITHER SIDE.
5. FOR ESTIMATING ONLY UNLESS ENDORSED FOR CONSTRUCTION.
6. MAINTAIN MINIMUM CLEARANCE FOR SHAFT SLINGER.

DIMENSIONS IN INCHES
NEMA TYPE P BASE

COUPLING DIMENSIONS

| BX | BY | BZ | KEY WAY | | | |
|-------|--------|-------|---------|-------|------|--|
| | | | EW | R | XM | |
| 1.501 | 1/4-20 | 2.125 | .375 | 1.669 | .562 | |
| 1.688 | 1/4-20 | 2.500 | .375 | 1.859 | .562 | |
| 1.751 | 1/4-20 | 2.500 | .375 | 1.922 | .562 | |
| 1.813 | 1/4-20 | 2.500 | .500 | 2.033 | .688 | |
| 1.938 | 1/4-20 | 2.500 | .500 | 2.160 | .688 | |
| 2.001 | 3/8-16 | 3.250 | .500 | 2.223 | .688 | |
| 2.063 | 3/8-16 | 3.250 | .500 | 2.287 | .688 | |
| 2.126 | 3/8-16 | 3.250 | .500 | 2.350 | .688 | |
| 2.188 | 3/8-16 | 3.250 | .500 | 2.414 | .688 | |
| 2.251 | 3/8-16 | 3.250 | .500 | 2.477 | .688 | |
| 2.316 | 3/8-16 | 3.250 | .500 | 2.650 | .688 | |

| SIGNATURES | DATE |
|---------------------------------|------|
| MODEL RAVI 01/23/16 | |
| DETAIL RAVI 01/23/16 | |
| DESIGN SASI 01/23/16 | |
| ENGR SASI 01/23/16 | |
| QC | |
| QUALITY | |
| ISSUED | |
| SOLD MODEL: 148CB44TMHKCCLA0001 | |

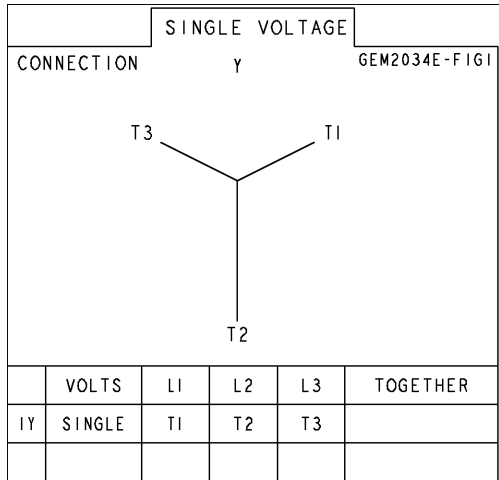
148CB44TMHKCCLA0001

148CB44TMHKCCLA0001

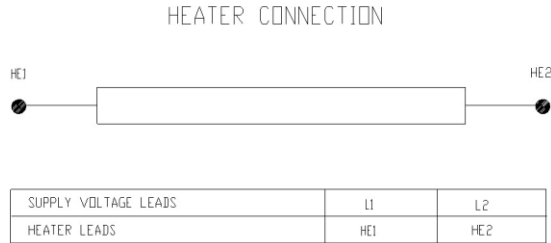
148CB44TMHKCCLA0001

Marks:

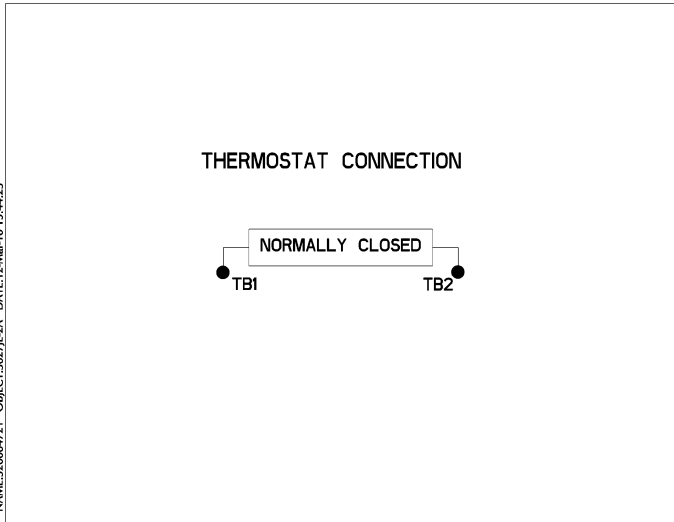
Connection Diagram
GEM2034E-FIG1



Heater Connection
3027JE-1C



Thermostat Connection
3027JE-2A



NAME:32000471 OBJECT:3027JE-2A DATE:12-Mar-10 15:44:23

| End shield Assembly | | |
|---------------------|---------------|----------------|
| Part Description | DE Side Part# | ODE Side Part# |
| End Shield | 115E8660AA1 | 115E8670LA1 |
| Bearing | 235A2522AJ01 | 235A2536AB01 |
| Slinger/Inproseal | 149C4399G06 | |

| Fan & Fan Cover Assembly | |
|--------------------------|-------------|
| Part Description | Part# |
| Fan | 159C7100AE2 |
| Fan Cover | 128D6847AA1 |

| Conduit & Accessories Box Assembly | |
|------------------------------------|-------------|
| Part Description | Part# |
| Conduit Box | 118D4408AD2 |

| Mechanical Accessories | |
|------------------------|-------|
| Part Description | Part# |
| Brake | |
| Tachometer | |