

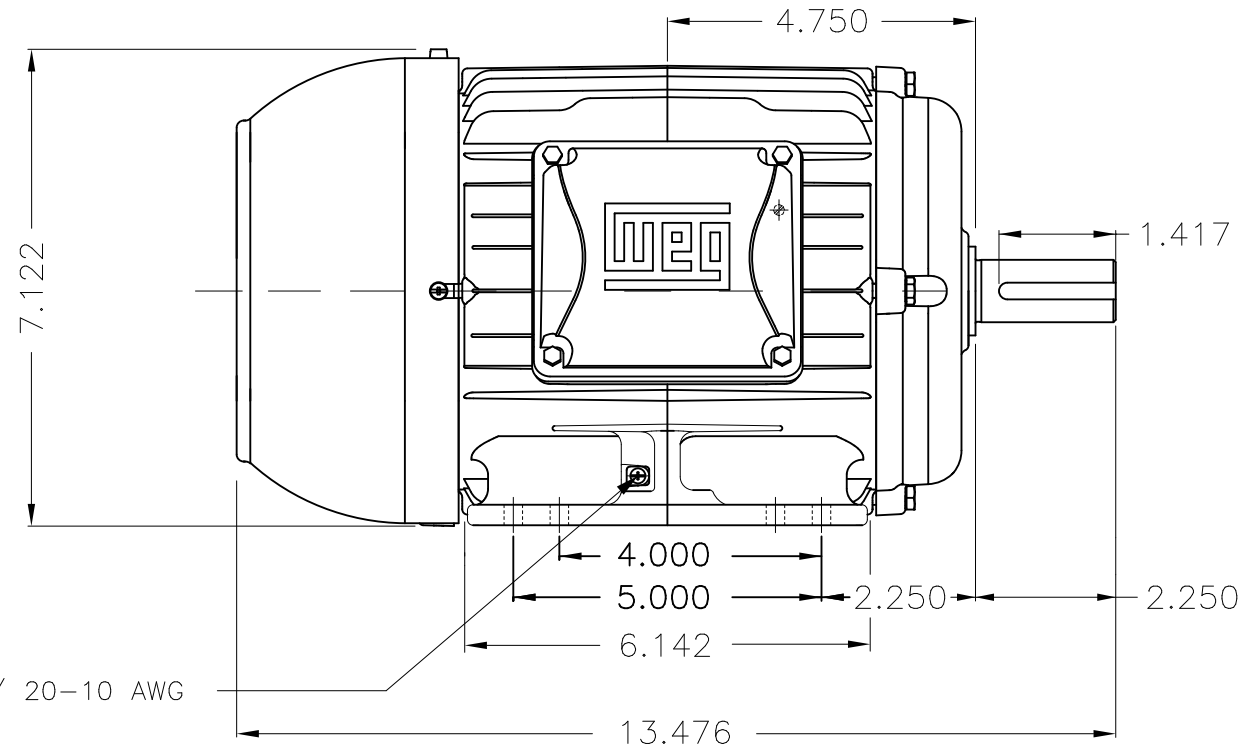
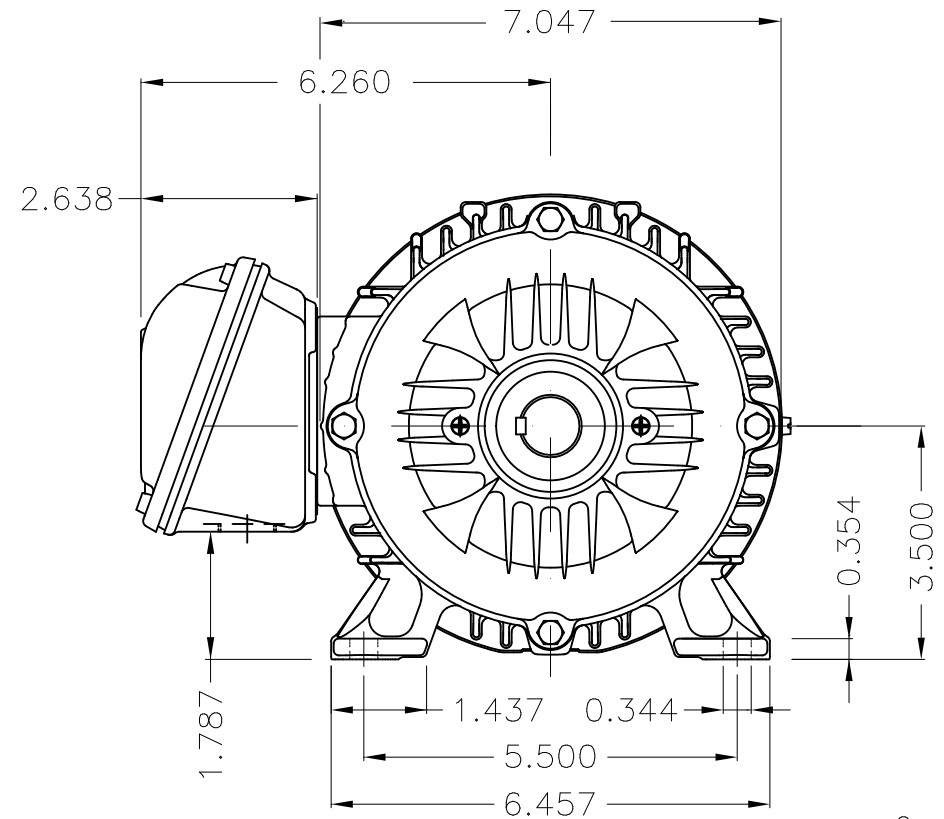
Dimensões em polegada
Dimensions in inches

THIS IS AN UPDATED REVISION, THE
PREVIOUS ONE MUST BE DISREGARDED.

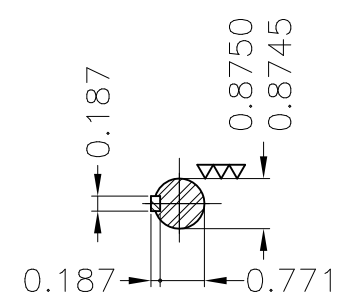


Grounding for leads 0.5–6 mm² / 20–10 AWG

Main terminal box

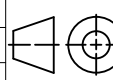


Grounding for leads 0.5–6 mm² / 20–10 AWG



DE Shaft End

Color RAL 5009
Painting plan 202E
Mounting B3R(D)

| ECM | LOC | SUMMARY OF MODIFICATIONS | | | EXECUTED | CHECKED | RELEASED | DATE | VER |
|----------|------------|--|-----|----------------|---------------------|---------|----------|------|-----|
| EXECUTED | USERADMIN |  THREE PH. W22 NEMA P.EFF MOTOR IEEE841 FRAME 143/5T IP55 TEFC WEG code: 11431462 | | | | | | | |
| CHECKED | | | | | | | | | |
| RELEASED | | | | | | | | | |
| REL DT | 24.07.2017 | | WMO | Jaragua do Sul | Product Engineering | SHEET | 1 / 1 | | |

1.5 HP 04 Poles 60Hz

