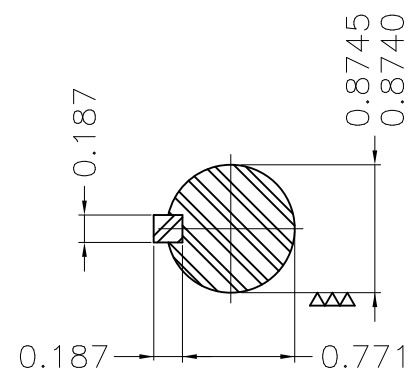
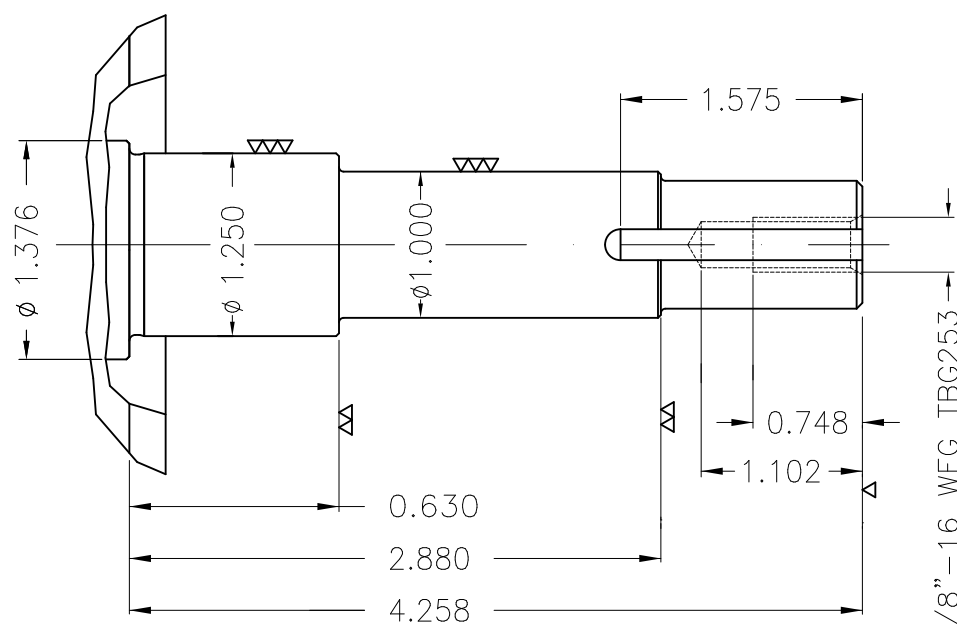
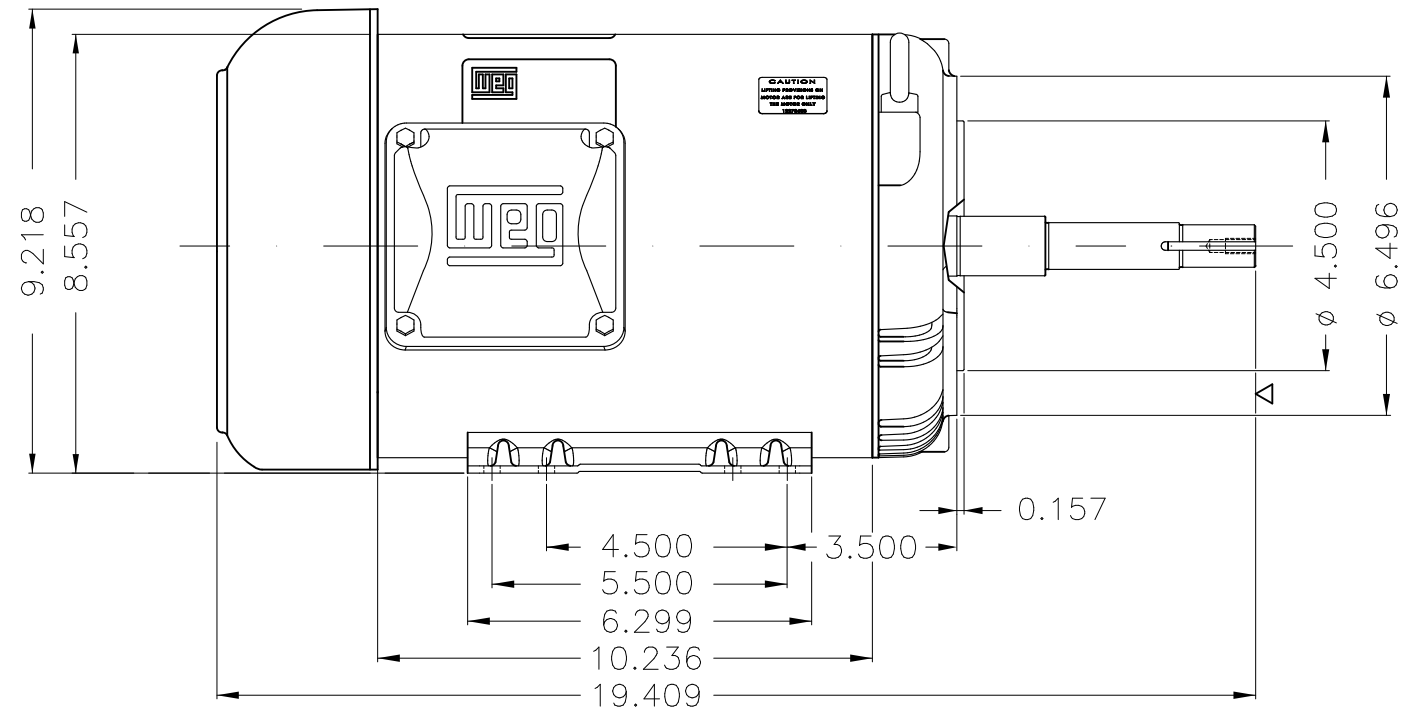
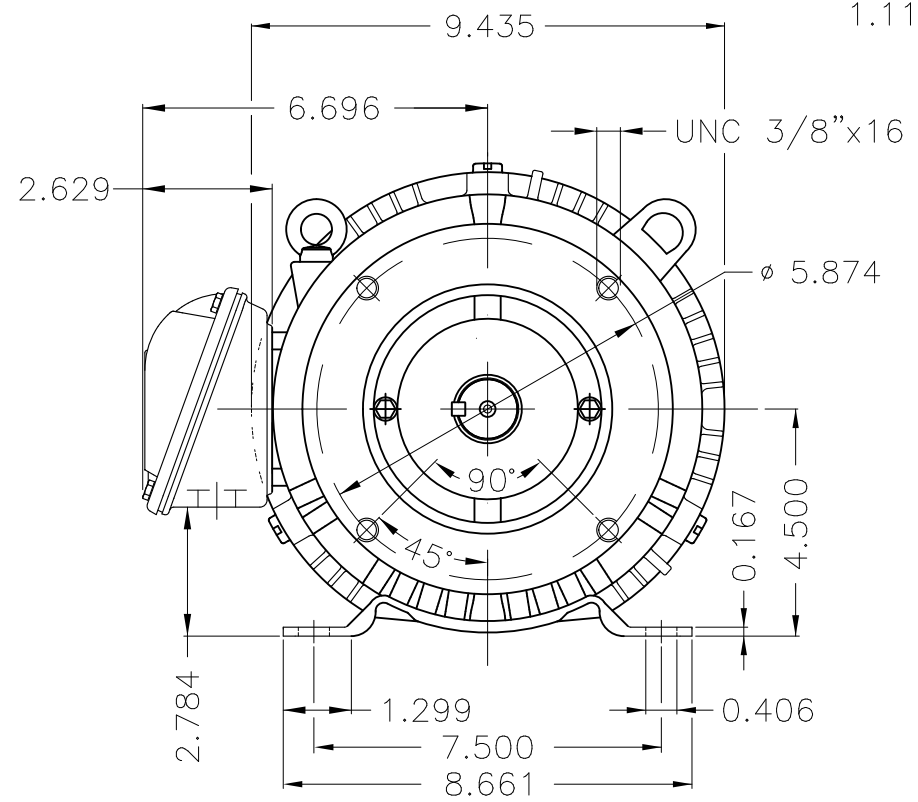
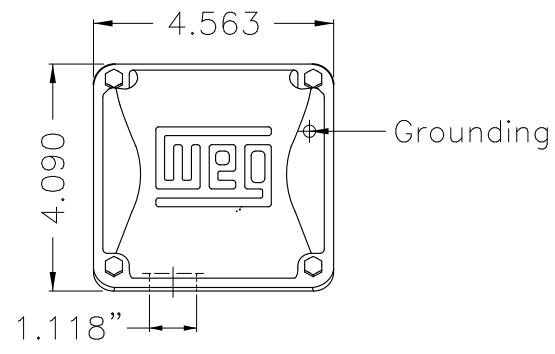


Dimensões em polegada
Dimensions in inches

THIS IS AN UPDATED REVISION, THE
PREVIOUS ONE MUST BE DISREGARDED.



EUNC 3/8"-16 WEG TBG253

DE Shaft End

Color Munsell N 1 matte black
Painting plan 207N
Mounting F-1/B34R(D)

| ECM | LOC | SUMMARY OF MODIFICATIONS | EXECUTED | CHECKED | RELEASED | DATE | VER |
|----------|------------|--|---------------------|---------|----------|------|-----|
| EXECUTED | USERADMIN | THREE P. MOTOR TEFC ROLLED STEEL NEMA P. | | | | | |
| CHECKED | | FRAME 182/4JM IP55 TEFC | | | | | |
| RELEASED | | WEG code: 13180545 | | | | | |
| REL DT | 24.07.2017 | WMO Jaragua do Sul | Product Engineering | SHEET | 1 / 1 | | |

5 HP 04 Poles 60Hz

A

