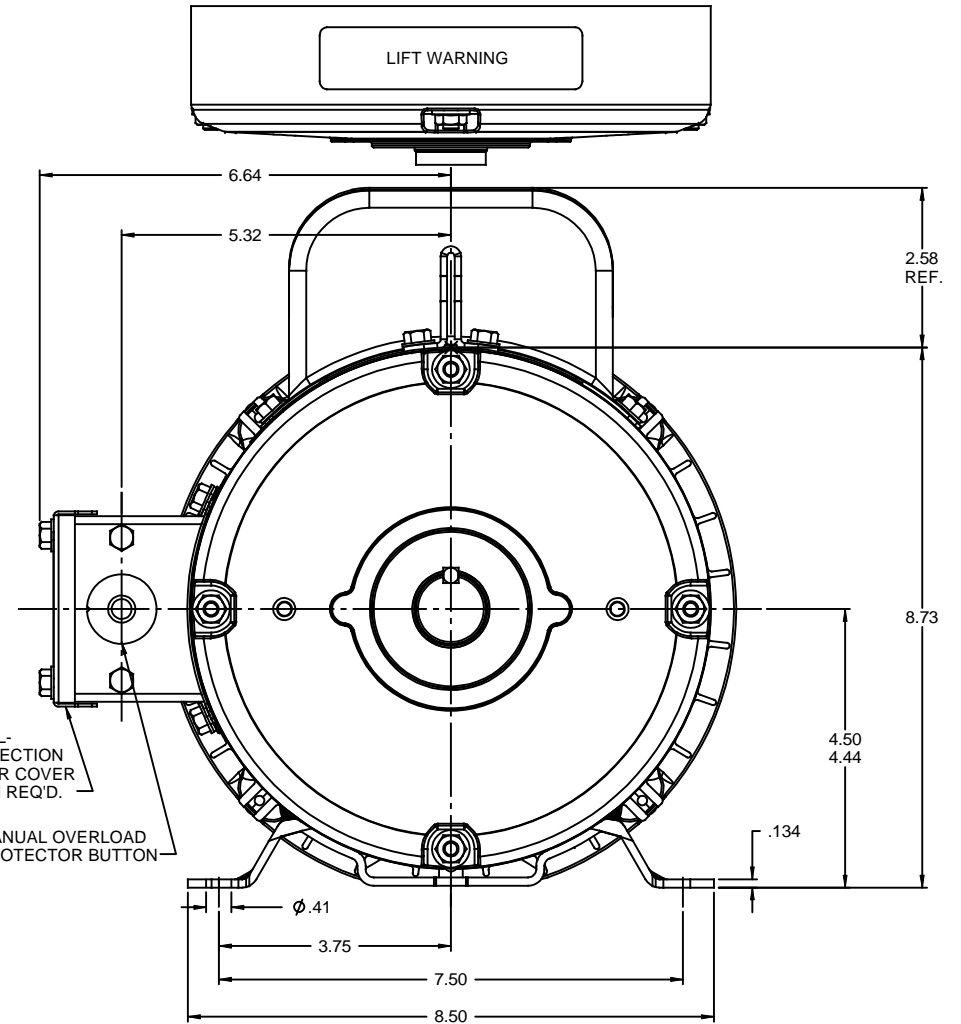
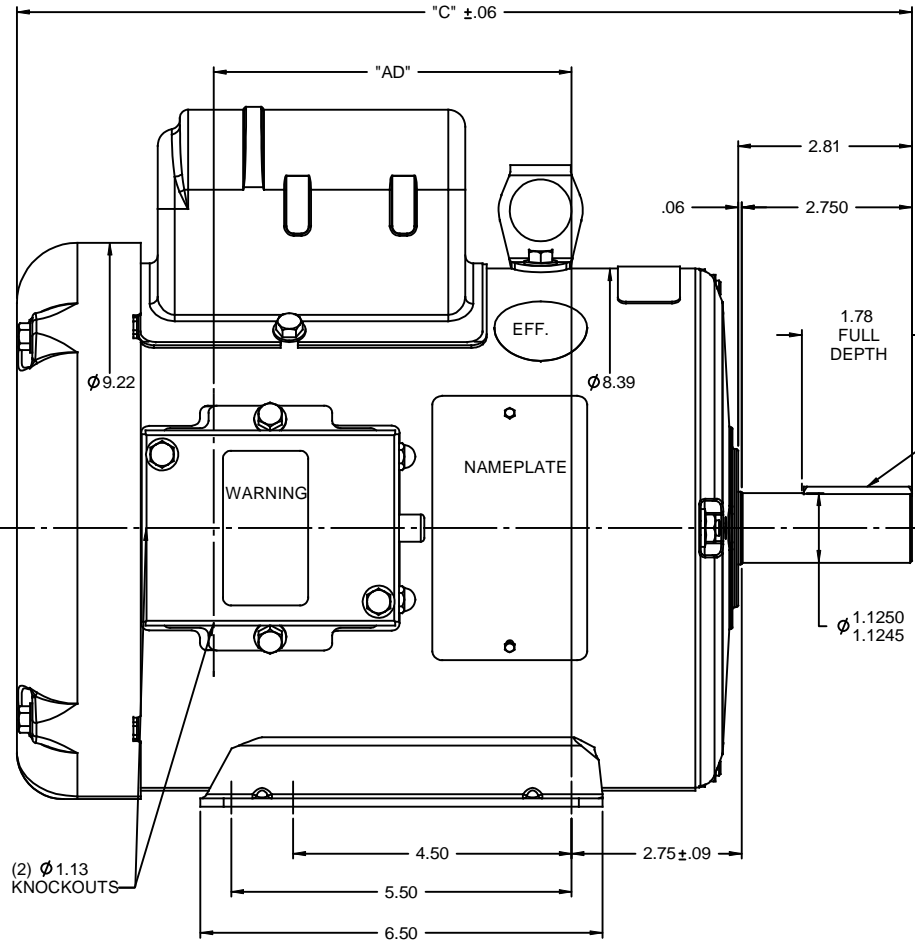


RBC PROPRIETARY AND CONFIDENTIAL INFORMATION
 This document is the property of REGAL BELOIT CORPORATION ("RBC") including its subsidiaries and divisions and contains proprietary information of RBC. This document is loaned on the express condition that neither it nor the information contained therein shall be disclosed to others without the express written consent of RBC, and that the information shall be used by the recipient only as approved expressly by RBC. This document shall be returned to RBC upon its request. This document may be subject to certain restrictions under U.S. export control laws and regulations.



GASKETS THROUGHOUT

DASH NO.	"C"	"AD"
850	13.96	5.25
900	14.46	5.75
950	14.96	6.25
1000	15.46	6.75
1050	15.96	7.25
1100	16.46	7.75
1150	16.96	8.25

REVISION		BY & DATE	CHK	ANG	FINISH	PAGE	OF
UPDATE & REDRAWN IN SOLIDWORKS		LST 11/12/2009	XX	XXX	±.0005	MATL	GENERAL PURPOSE
REVISION		BY & DATE	CHK	ANG	FINISH	PAGE	OF
THIRD ANGLE PROJECTION			RFP	±1/2°	PREV		
						SIZE	DRAWING NO
						B	035482
							REV
							-



TOLERANCES UNLESS SPECIFIED:
 DEC INCHES
 X ±.1
 .XX ±.03
 .XXX ±.005
 .XXXX ±.0005

TITLE OUTLINE - 180T FRAME
 TEFC - RIGID MOUNT
 MATL GENERAL PURPOSE

DRAWN LST 12/8/03
 CHK RW 12/10/03
 APPR KH 12/10/03
 SCALE 1:2
 REF PR030439
 FMF 131856