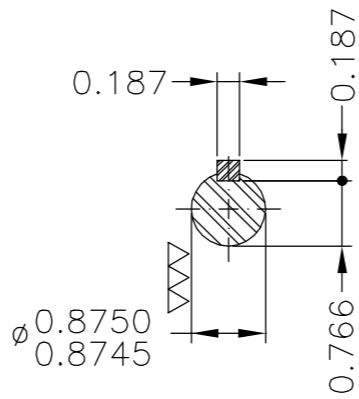
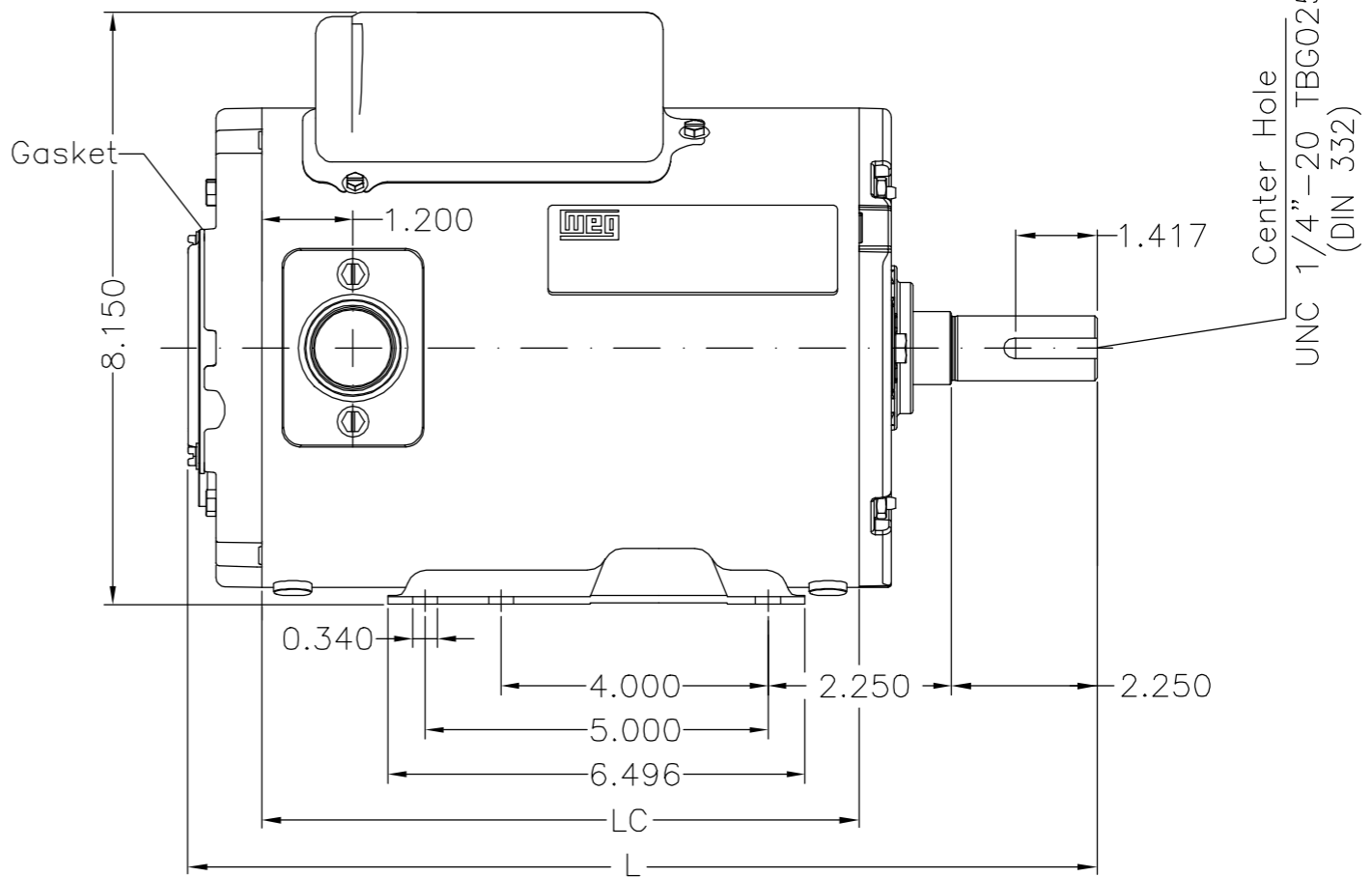
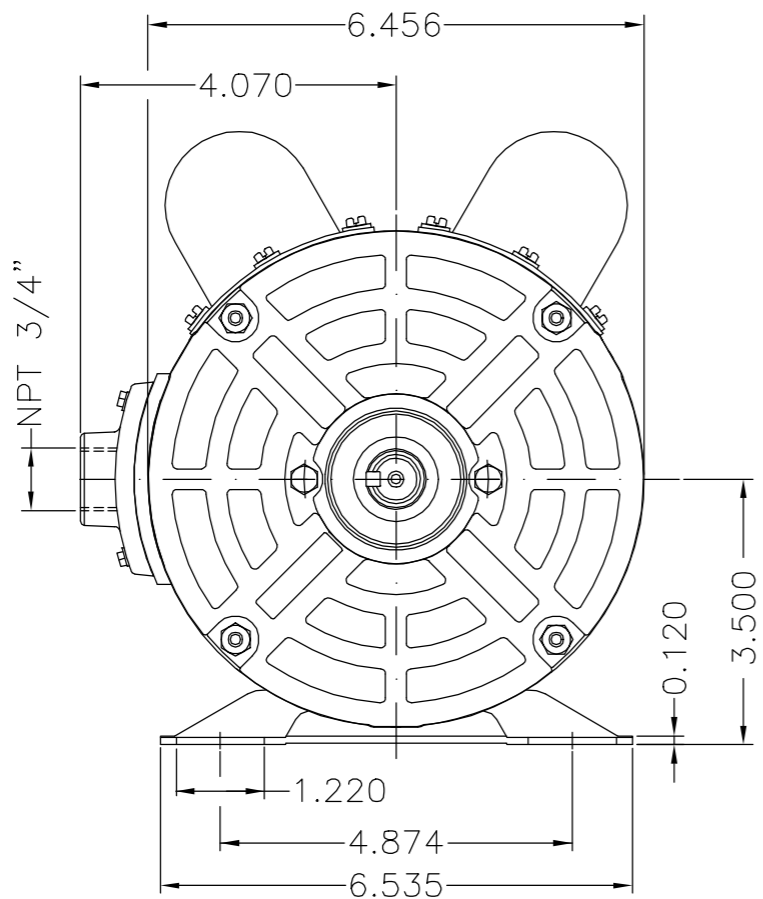


EIXO/SHAFT	
PADRÃO/STANDARD	X
OPCIONAL/OPTIONAL	
ESPECIAL/SPECIAL	

THIS IS AN UPDATED REVISION, THE PREVIOUS ONE MUST BE DISREGARDED.

A
B
C
D
E



DE Shaft End

- Protetor térmico automático - Fenólico / Automatic overload protector - Phenolic
- Rolamento traseiro de esferas 6202 / NDE ball bearing 6202
- Anel de fixação do rolamento / Bearing cap
- Vedação - V-ring / Sealing - V ring
- Plano de pintura 207N / Painting plan 207N
- Forma construtiva B3D / Mounting B3R(D)

WEG ELECTRIC CORP.

500001132041	Alterado comprimento total 1.5HP	RUBENSFM	PATRICKL	20.01.2016	05			
500001045356	CORRIGIDO COMPRIMENTO	PATRICKL	RUBENSFM	05.06.2015	04			
ECM	LOC	SUMMARY OF MODIFICATIONS		EXECUTED	CHECKED	RELEASED	DATE	VER
EXECUTED	PATRICKL	SINGLE PHASE MOTOR TEAO ROLLED STEEL		10003348316				
CHECKED		FRAME 143/5T IP55		000 05				
RELEASED	JTOGNERI							
REL DT	10.02.2015	WMO	JARAGUA DO SUL	ENGENHARIA DE PRODUTO	SHEET	1 / 1		

	LC	L	
3 HP	9.842	13.988	C
2 HP	8.661	12.807	B
1.5 HP	7.874	12.215	A

3 HP	02 Poles	60Hz	413730572
2 HP	02 Poles	60Hz	413730571
1.5 HP	02 Poles	60Hz	413730570

UNCONTROLLED COPY
RELEASED
ZME A3