

Product Information Packet

November 8, 2016

Data shown is for the current revision model #. Ensure your nameplate model # matches.

Model Number:	5KS256STE104A
Catalog Number:	M7508
Instruction Manual:	GEI-M1031
Connection Diagram:	GEM2034E-FIG7
Outline Drawing:	358B6272AB

Accessory Connection Diagrams			
Bearing Thermocouple:	None	Heater:	None
RTD:	None	Thermistor:	None
Thermostat:	None	Winding Thermocouple:	None
Bearing RTD:	None		

Table of Contents	
Specification	01
Performance Characteristics	02
Outline Drawing	03
Connection Drawing(s)	04

Marks:

MODEL NUMBER:	5KS256STE104A	Estimated Weight:	336 Lbs
Outline Drawing:	358B6272AB	Time Rating:	CONT
Connection Diagram:	GEM2034E-FIG7	Enclosure:	TEFC
Instruction Book:	GEI-M1031	Encl Construction:	SD
Design Code:	25AD0016B	Ambient Max(°C):	40
Type:	KS	Alt Ambient Max(°C):	--
Frame:	256T	Insulation Class:	F
Phases:	3	NEMA Design:	A
Poles:	2	Nominal Efficiency:	91 %
Output Power:	20HP 14.8KW	Guaranteed Efficiency:	89.5
RPM:	3520	3/4 Load Efficiency:	91.2
Voltage:	575	KVA Code:	G
Hertz:	60	Max KVAR:	3.6
Amps - FL:	17.8	Power Factor:	92.5
Service Factor:	1.15	Bearing - DE:	6310ZZ
Alt Service Factor:	--	Bearing - ODE:	6208ZZ

Enclosure is Totally Enclosed Fan-Cooled

Stamped Nameplate Notes:**Additional Information:**

2 POLE, TEFC, LRA: 122.2 AMPS.
 SOUND POWER : 94 DBA
 GREASE: SHELL ALVANIA R3 LITHIUM GREASE
 NO. OF MOTOR LEADS: 3
 CONDUIT BOX VOLUME (CU IN): 100.5
 CONDUIT BOX MATERIAL: CAST IRON
 SUITABLE FOR USE IN CLASS I DIVISION 2 LOCATIONS
 CLASS I DIVISION 2 GROUPS A,B,C,D T3C
 CLASS I ZONE 2 IIC T3C

Performance Characteristics

1st Winding 1st Connection

Design: 25AD0016B

Marks:

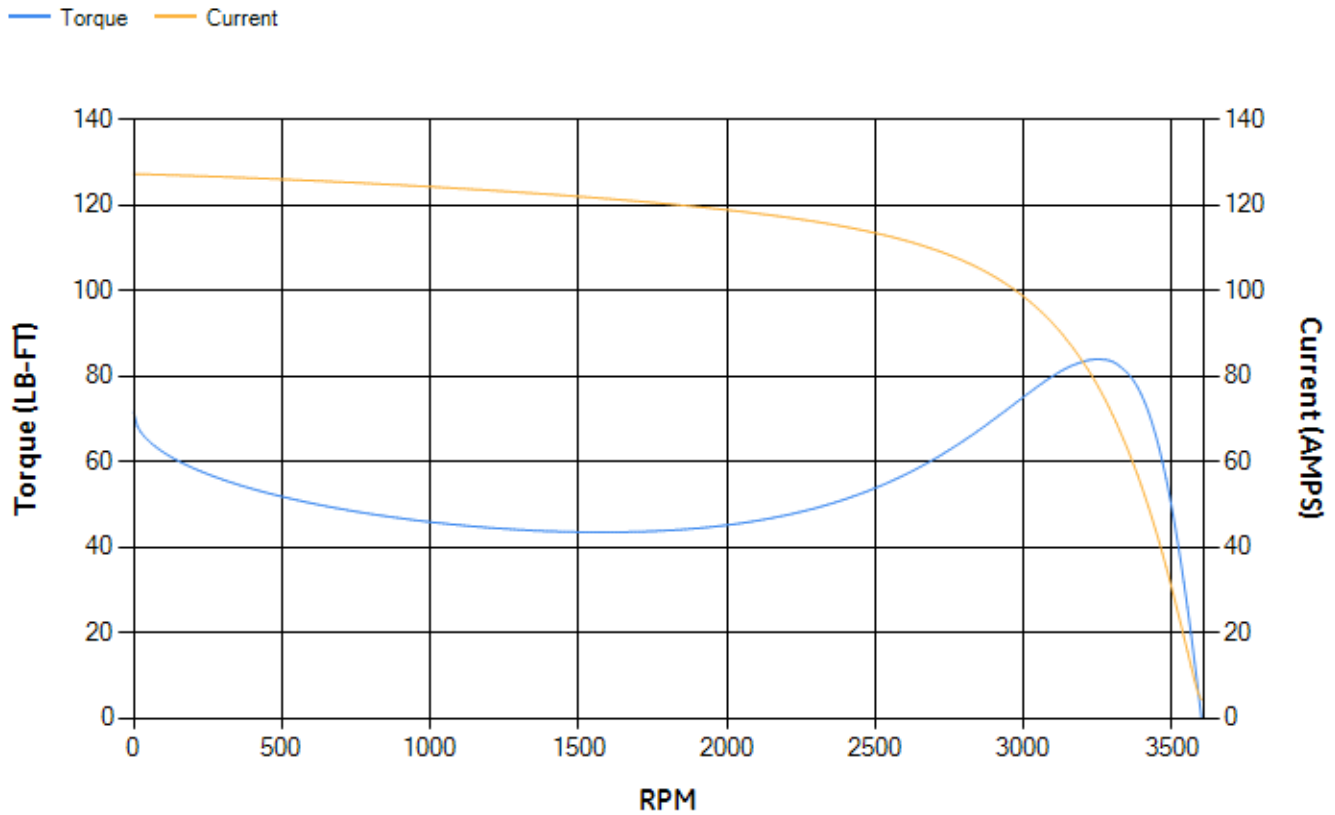
LOAD %	125.0	115.0	100.0	75.0	50.0	25.0	0.0
% EFF	89.51	90	90.81	91.19	90.72	86.63	0.00
% PF	93.03	92.96	92.61	90.94	86.1	69.94	11.85
AMPS	22.48	20.58	17.81	13.54	9.59	6.18	4.22

TORQ(FL)#FT	29.8	TORQ(LR)%FL	240.11	TORQ(BD)%FL	277.57
AMPS(LR)	127.24	PF AT START	0.36		

This motor is capable of two cold or one hot start with a maximum connected load inertia of 89 Lb-Ft Sq (3.75 Kg-meter Sq)at 100% voltage, where the load torque varies with the square of the speed. Acceleration time with maximum inertia and the above load type is 23 seconds. Safe stall time at 100% voltage is 45 seconds cold, 28 seconds hot. Rotor inertia is 1.27 Lb-Ft Sq (0.05 Kg-meter Sq).

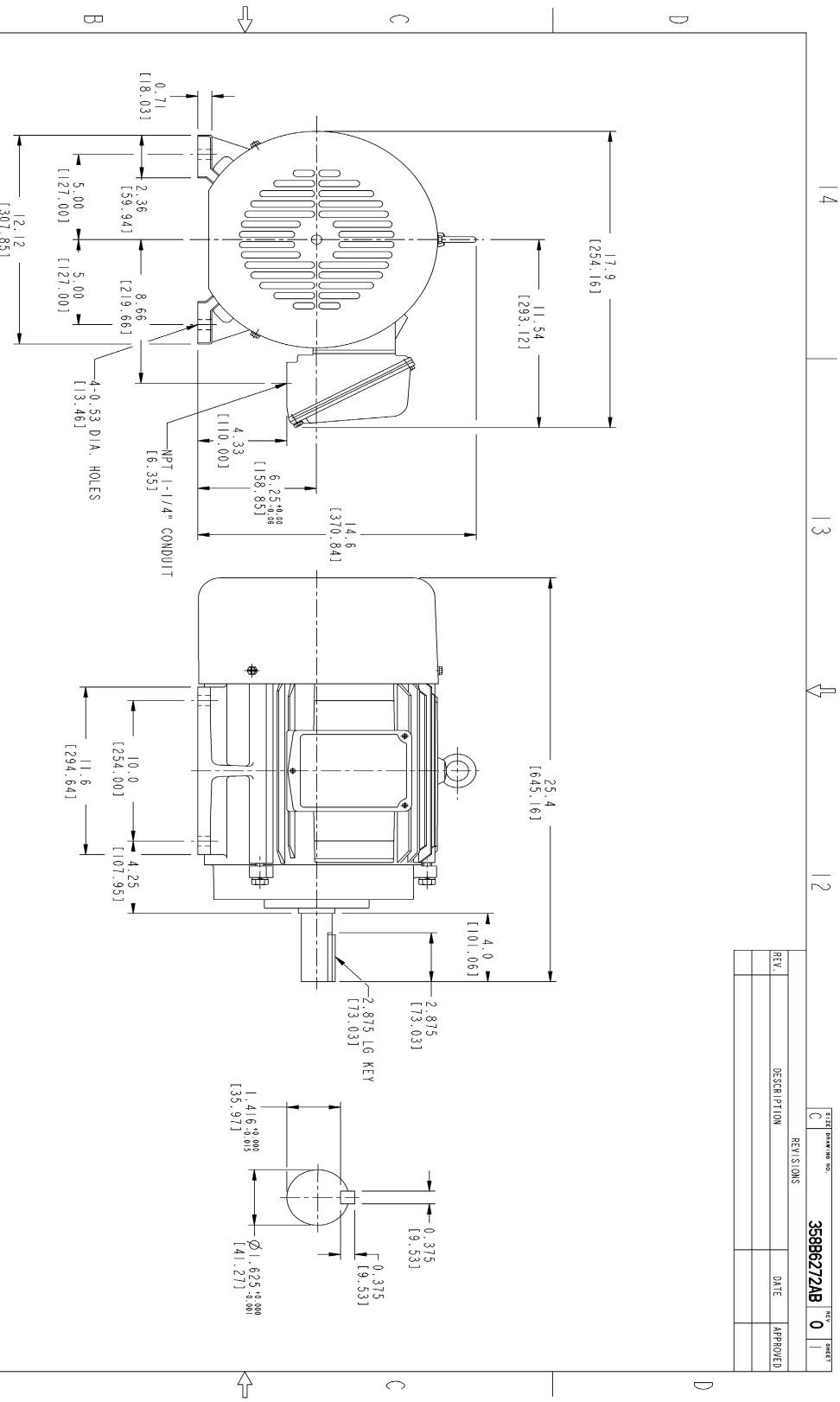
Open Circuit A-C:	0.536	Short Circuit D-C:	0.013
Short Circuit A-C:	0.015	X/R Ratio:	5.039
Stator Slots:	36	Rotor Slots:	44

Speed Torque Current Curve (First Connection, First Speed)



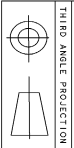
NAME:501291659 OBJECT:358B6272AB DATE:05-Dec-07 10:17:42

Marks:



NOTES :

1. DIMENSIONS ARE IN INCHES.
2. F-1 ASM AS SHOWN.
3. F-2 ASM - HAS CONDUIT BOX ON OPPOSITE SIDE.
4. BRACKETED DIMENSIONS ARE METRIC (MILLIMETERS)
5. IC411, IP54, IMB34 APPLY



Part must conform to SI 900000 Sect 4, Toxicity Procedure

FOR ADDITIONAL INFO REFER TO:	SIGNATURES	DATE
APPROVED		
DESIGNED		
DRAWN		
CHECKED		
INSTRUMENTED		
TESTED		
FINISH		

REV	DESCRIPTION	DATE	APPROVED

<p>GE Consumer & Industrial</p> <p>GENERAL ELECTRIC COMPANY</p> <p>OUTLINE</p> <p>FID - 256T TERC CE MARK</p> <p>1005 CU IN CONDUIT BOX</p> <p>358B6272AB</p>	<p>SCALE: C</p> <p>SHEET 1 OF 1</p>
---	-------------------------------------

Marks:

Connection Diagram
GEM2034E-FIG7

