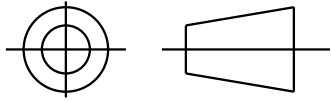


THIRD ANGLE PROJECTION

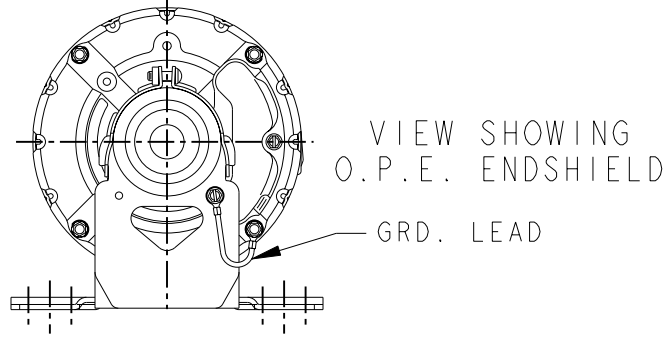
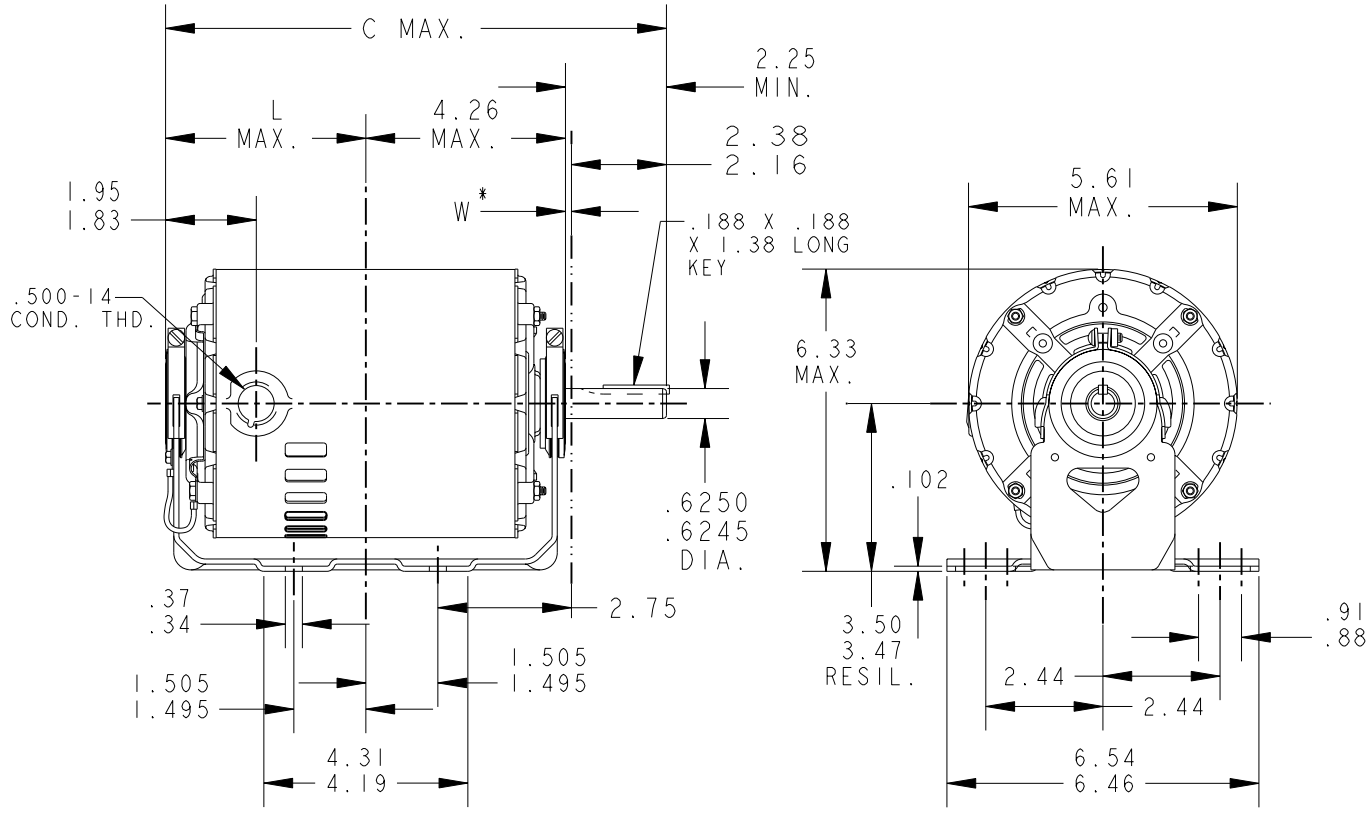


REVISIONS

REV.	DESCRIPTION	DATE	APPROVED
1	CHG TO RBC FORMAT PER ISO5-1777	04/18/06	SUDHA

52A110158

SIZE DRAWING NO. A



W* IS A VARIABLE CLEARANCE DUE TO VARIATIONS IN PARTS AND ASSEMBLY.

I	KH	36	56Z	10.80	4.29
P	TYPE	GE SIZE	NEMA FR	C	L

SIGNATURES		DATE
MODEL	M. D. PAPE	05/11/98
DETAIL	.	.
CHECKED	.	.
ENGRG	.	.
MFG	.	.
FOR ADDITIONAL INFO REFER TO:	QUALITY	.
APPLIED PRACTICES	ISSUED	M. D. PAPE 05/11/98
DIMENSIONS ARE IN INCHES ✓	SOLID MODEL: 52A110158	



REGAL-BELOIT CORPORATION

TITLE	
OUTLINE	
FORM N GENERAL PURPOSE MOTOR - DP -	
BALL BEARING - RESILIENT BASE	
SIZE	DRAWING
A	52A110158
SCALE: 0.250	REF. No: .
SHEET 1 of 1	

REV 1