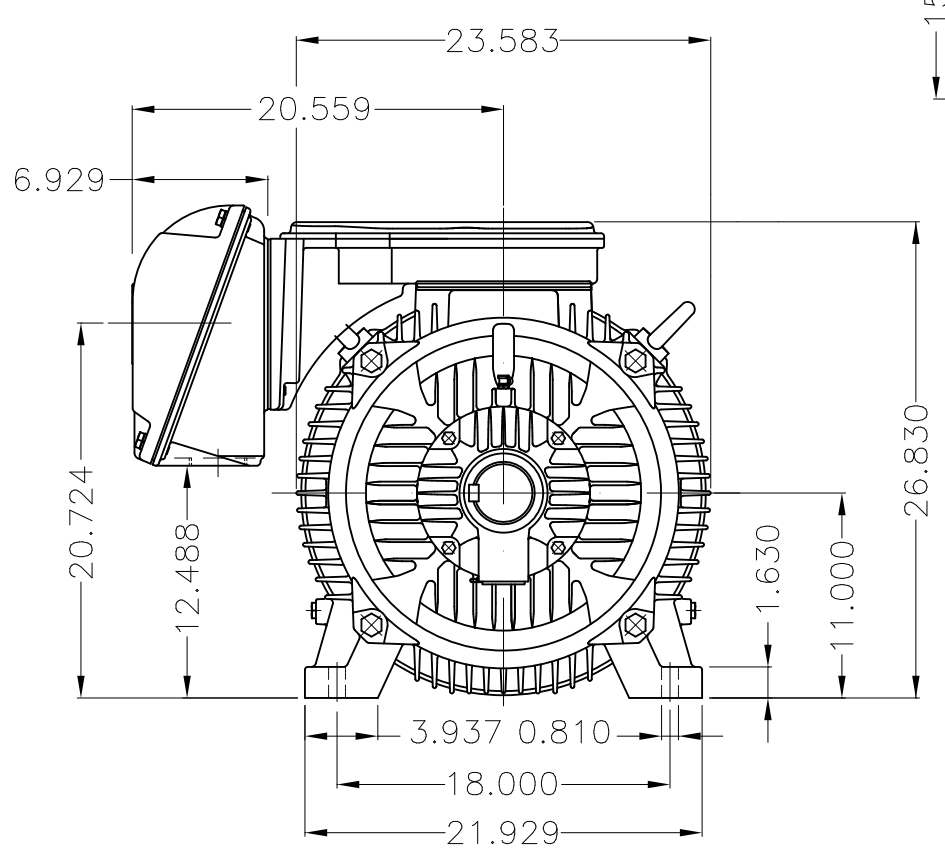


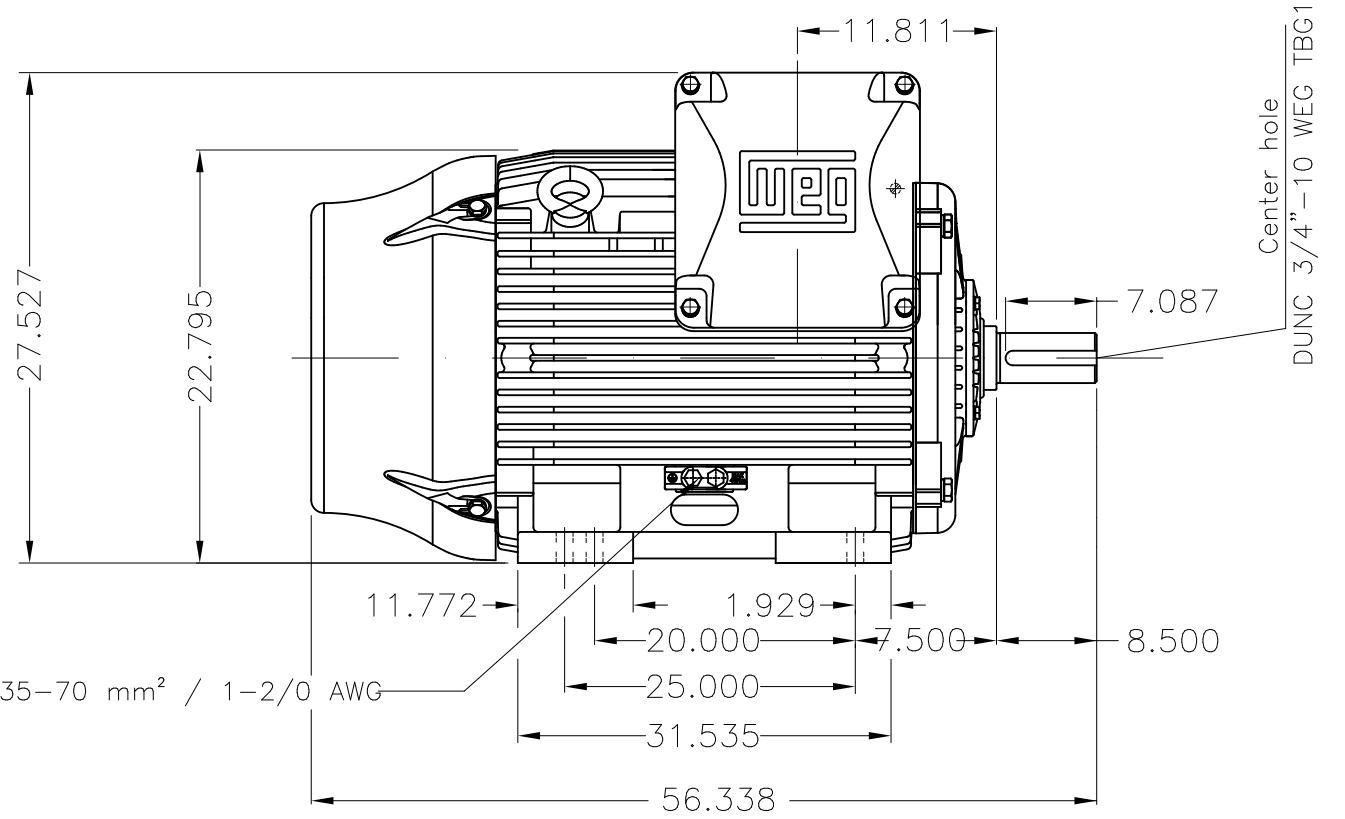
Dimensões em polegada
Dimensions in inches

THIS IS AN UPDATED REVISION, THE
PREVIOUS ONE MUST BE DISREGARDED.

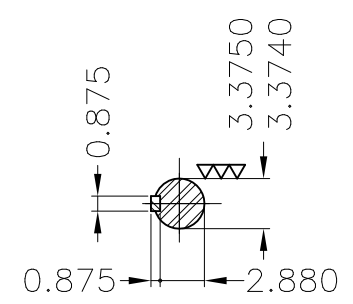


Main terminal box

Grounding for leads 35-70 mm² / 1-2/0 AWG



Grounding for leads 35-70 mm² / 1-2/0 AWG



DE Shaft End

- DE roller bearing
- Shaft locking device
- Color RAL 5009
- Painting plan 202E
- Mounting B3R(D)

250 HP 04 Poles 60Hz

ECM	LOC	SUMMARY OF MODIFICATIONS			EXECUTED	CHECKED	RELEASED	DATE	VER
EXECUTED	USERADMIN		THREE PH. W22 NEMA P.EFF MOTOR IEEEE841						
CHECKED			FRAME 447/9T IP55 TEFC						
RELEASED			WEG code: 12115182						
REL DT	24.07.2017	WMO	Jaragua do Sul	Product Engineering	SHEET	1 / 1			

