

DATE
APRIL 19, 2011
CATALOG NO.
HB0308

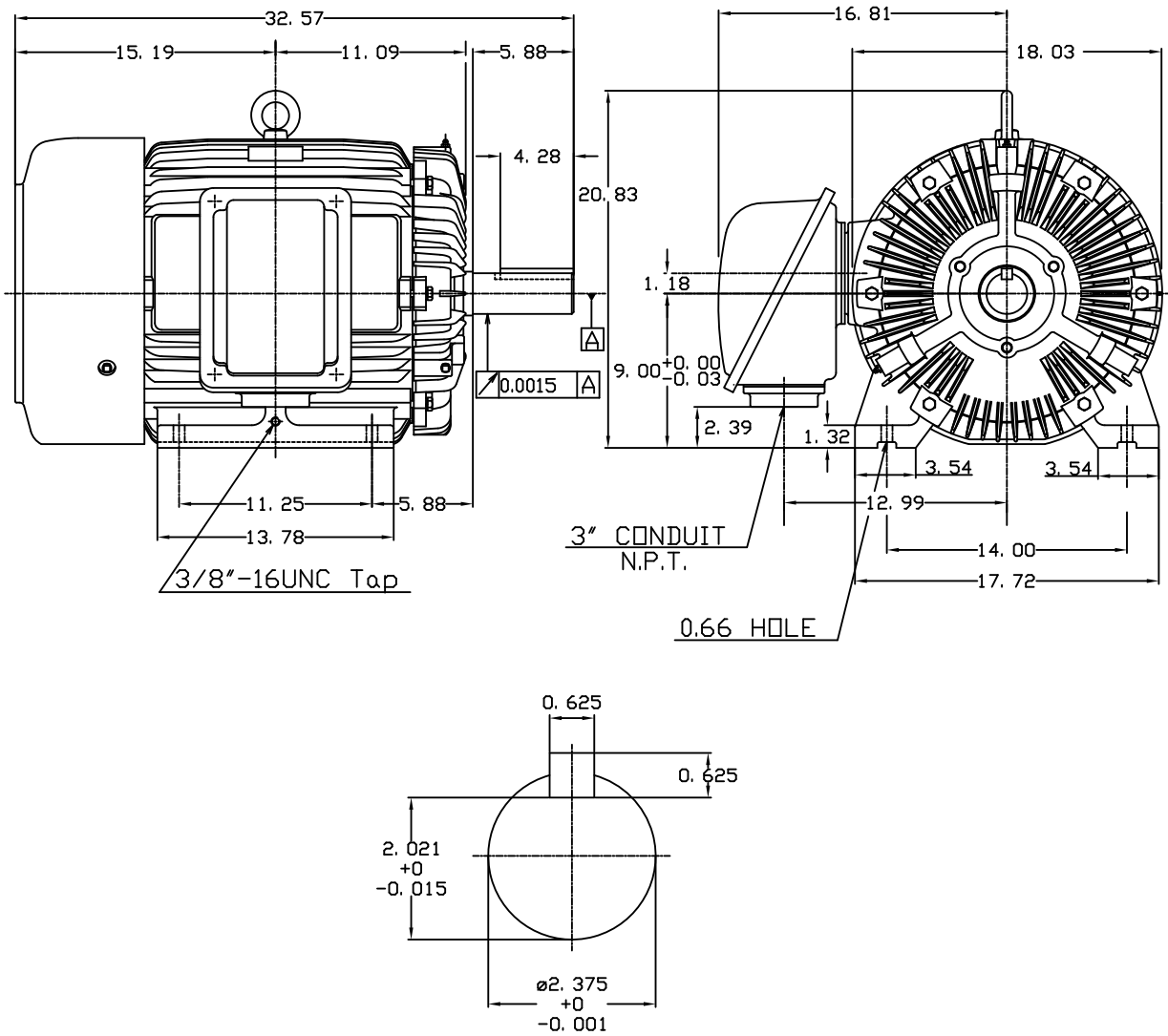
OUTLINE DIMENSIONS
3-PHASE INDUCTION MOTOR

MOTOR TYPE:
AEHH8B
FRAME NO. 364T

Pole	HP	KW	Hz	VOLT	Syn.Speed RPM
8	30	22.4	60	460	900

Ins	Rating	Dimension in	Approx Weight	Bearings
F	CONT.	inches	834 lbs.	DE:6313ZC35CNDE: 6213ZC35C

Totally Enclosed Fan-Cooled Type. Squirrel-Cage Rotor.



DWN.	J.H.LIANG	11-30-98
CHKD.	C.H.KAD	12-26-98
APPD.	Y.B.HUANG	12-26-98

TECO Westinghouse

DWG NO.
31049HB631041