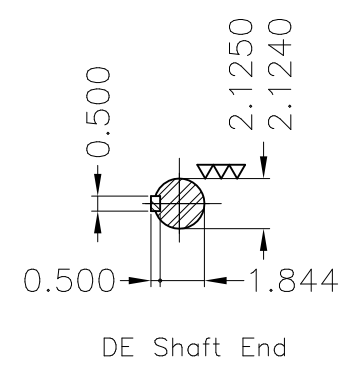
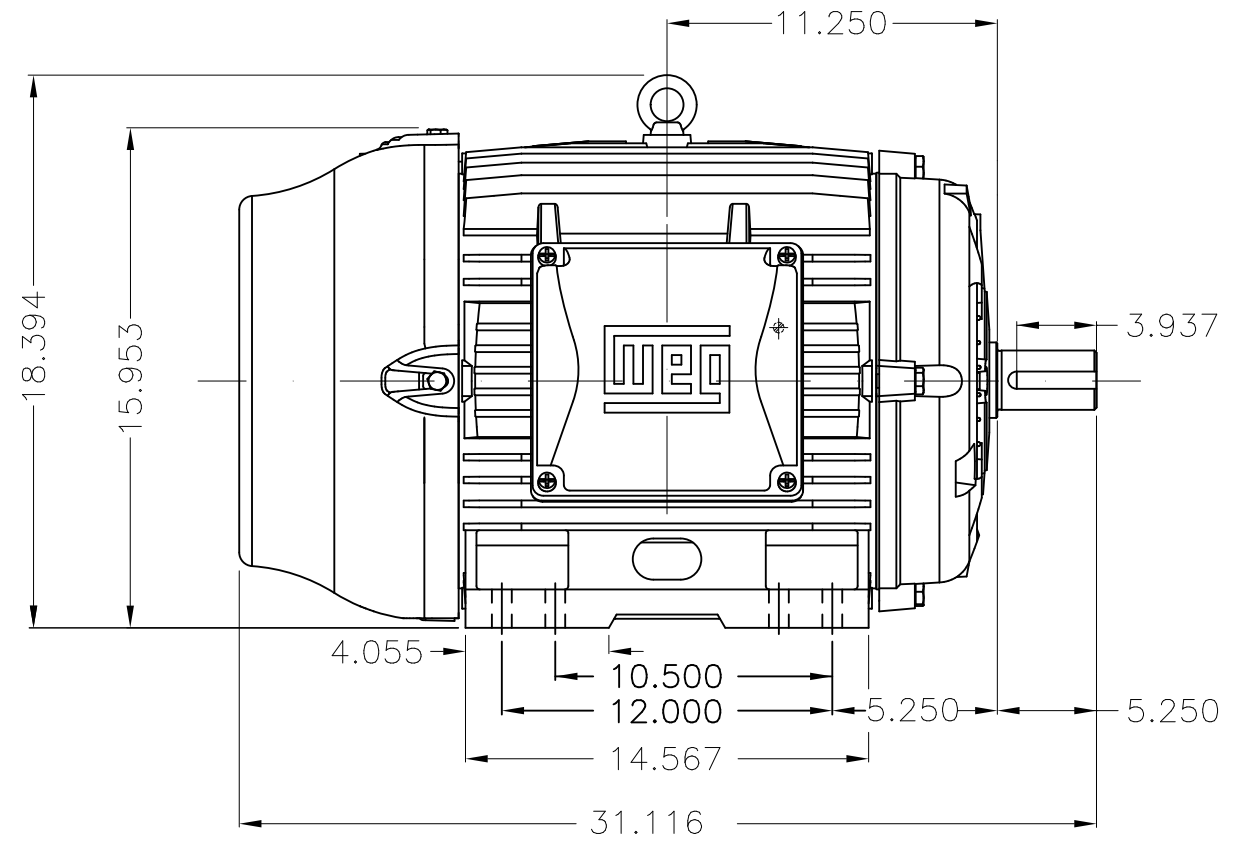
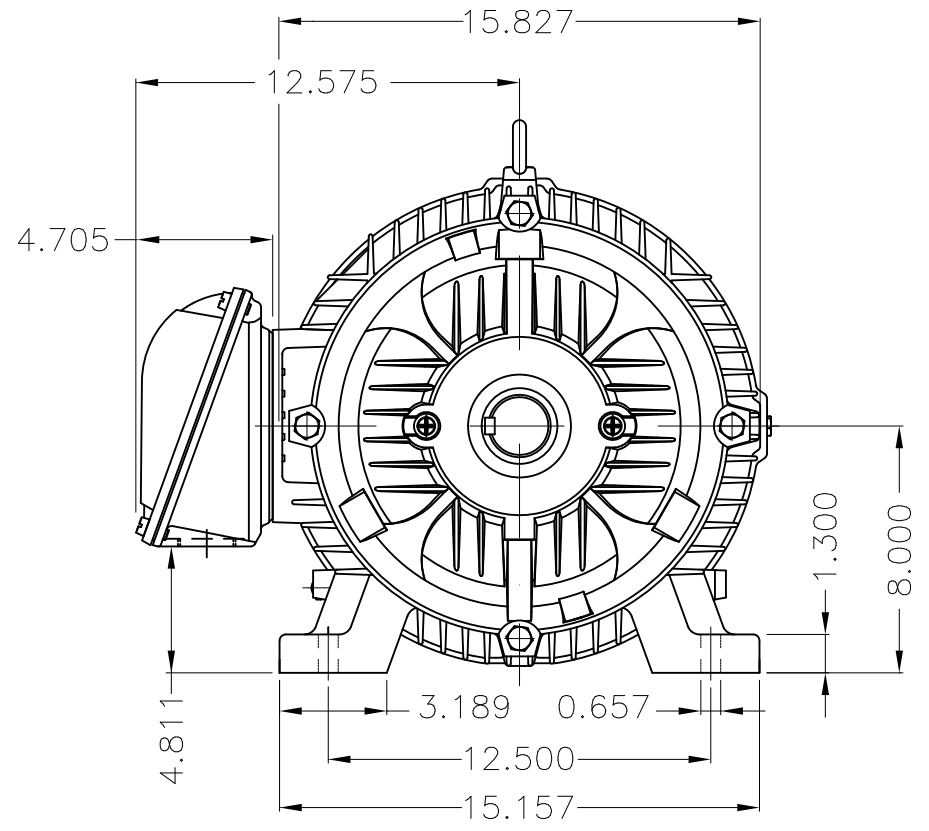


Dimensões em polegada
Dimensions in inches

THIS IS AN UPDATED REVISION, THE
PREVIOUS ONE MUST BE DISREGARDED.



Brush holder Kit AEGIS internal DE
Color RAL 5009
Painting plan 203A
Mounting B3R(D)

| ECM | LOC | SUMMARY OF MODIFICATIONS | EXECUTED | CHECKED | RELEASED | DATE | VER |
|----------|------------|--|---------------------|---------|----------|------|-----|
| EXECUTED | USERADMIN | THREE PHASE W22 MOTOR - NEMA PREMIUM EFF | | | | | |
| CHECKED | | FRAME 324/6T IP55 TEFC | | | | | |
| RELEASED | | WEG code: 12803309 | | | | | |
| REL DT | 24.07.2017 | WMO Jaragua do Sul | Product Engineering | SHEET | 1 / 1 | | |

40 HP 04 Poles 60Hz

A

