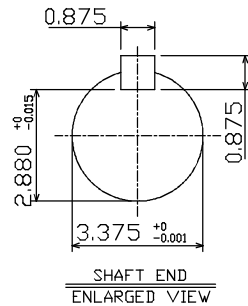
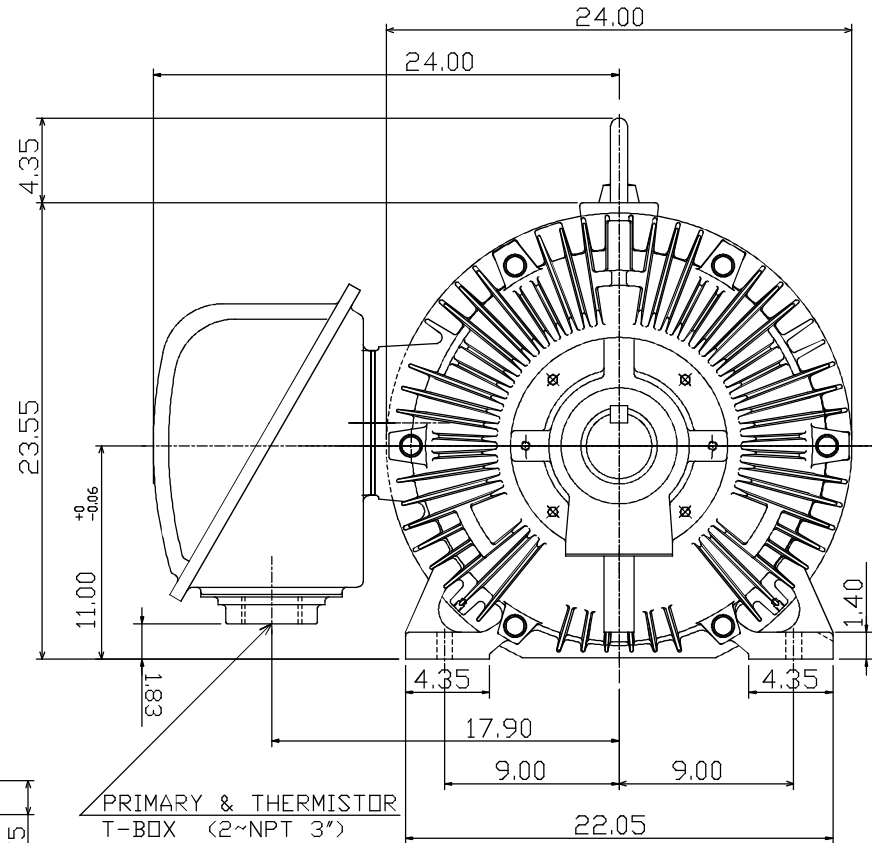
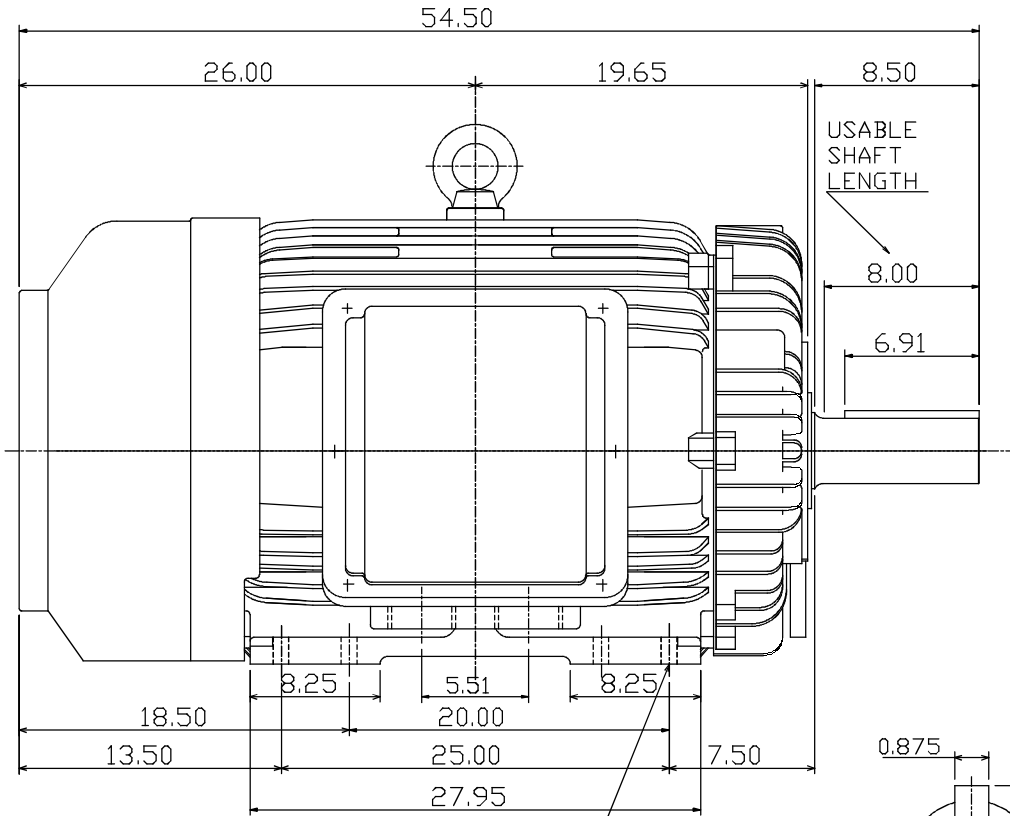


TYPE	OUTPUT		POLE	TIME RATING	VOLTAGE V	Hz	SYN.SPEED R.P.M
	HP.	kw.					
AEEAGD	150	112	8	CONT.	230/460	60	900

TOTALLY ENCLOSED FAN-COOLED TYPE, SQUIRREL-CAGE ROTOR



NOTE:

1. DIMENSIONS IN INCHES
2. FRAME NO. 449T
3. F CLASS INSULATION, S.F.115
4. FOR BELT SERVICE
5. BEARING SIZE: DRIVE END: 6320C3
NON-DRIVE END: 6316C3
6. ENCLOSURE: IP55
7. WITH THERMISTOR: PTC 140°C 3PCS
8. SHAFT MATERIAL: SCM440 Q&T (AISI 4140 EQUIV)
9. CORROSION PROOF
10. MOTOR APPROX. WEIGHT: 2800 LBS

8~13/16 HOLES

OUTLINE DIMENSIONS
3-PHASE INDUCTION MOTOR

DWN.	C. RAM	DEC 01 2015	CATALOG NO. CD1508
DWN.	S.LEE	DEC•22•2006	
CHKD.	S.LEE	DEC•22•2006	TEC Westinghouse
APPD.	C.WANG	DEC•22•2006	

TEC Westinghouse

DWG NO. REV: 00
3B040R345