

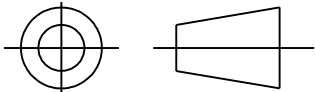
SHEET

REV

52A107818 5

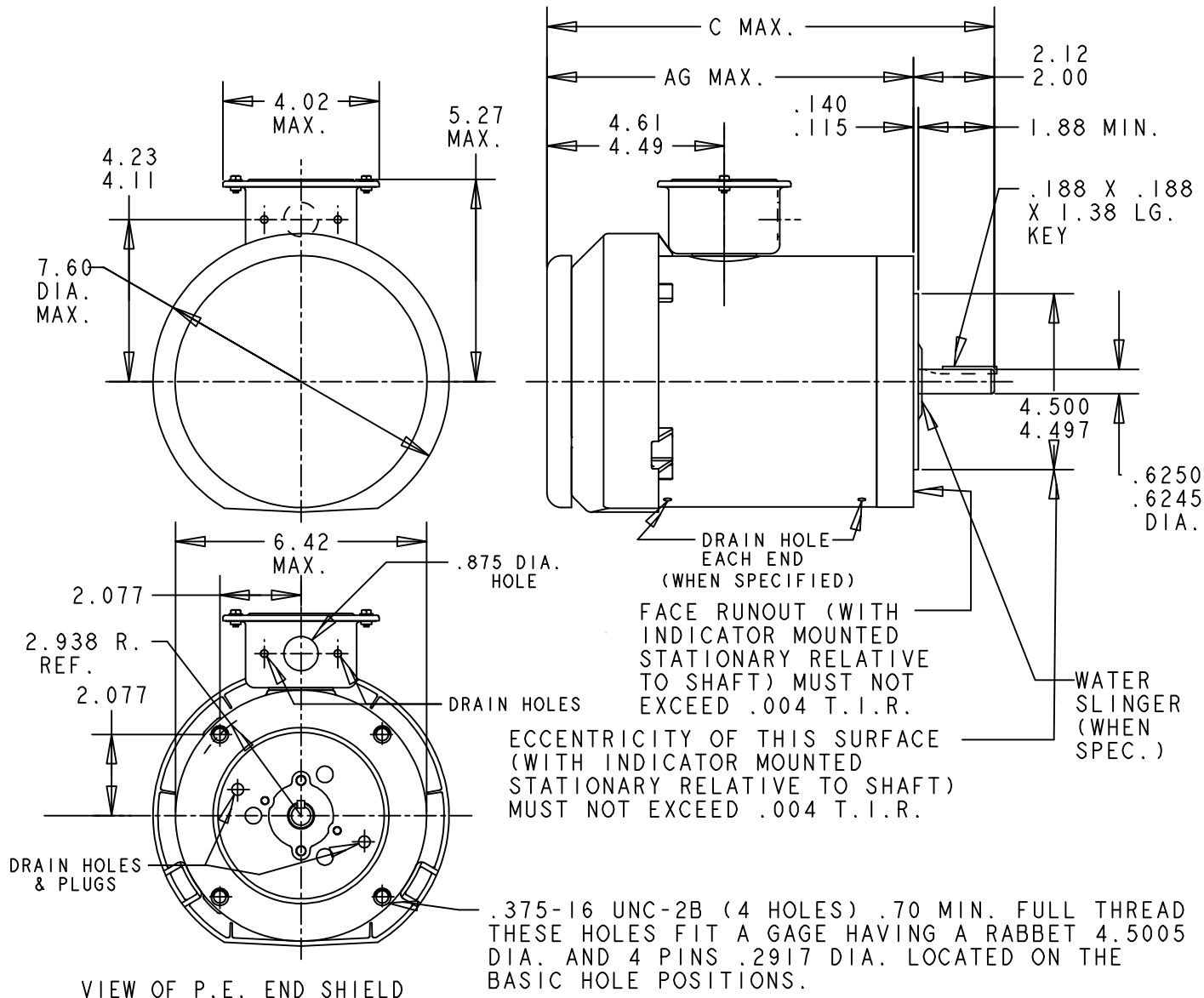
SIZE DRAWING NO. A

THIRD ANGLE PROJECTION




REVISIONS

REV.	DESCRIPTION	DATE	APPROVED
4	ADDED PART 2	04/15/03	MANTRI U
5	CHG TO RBC FORMAT PER IS05-1777	03/06/03	SUDHA



2	K	49	56C	11.65	9.53	5.72
1	K	49	56C	12.08	9.96	6.15
P	TYPE	GE SIZE	NEMA FR.	C	AG	MIN. SHELL

SIGNATURES		DATE	 REGAL-BELOIT CORPORATION
MODEL	M.D.PAPE	10/02/92	
DETAIL	.	.	TITLE OUTLINE GENERAL PURPOSE MOTOR TEFC - BALL BEARING R2 END MOUNTED FMF - 5K49MN4008T
CHECKED	.	.	
ENGRG	.	.	
MFG	.	.	
FOR ADDITIONAL INFO REFER TO:	QUALITY	.	SIZE DRAWING
APPLIED PRACTICES	ISSUED	M.D.PAPE 10/02/92	52A107818
DIMENSIONS ARE IN INCHES	SOLID MODEL: 52A107818		REV 5
MATERIAL			SCALE: 0.250 REF. No: . SHEET 1 of 1