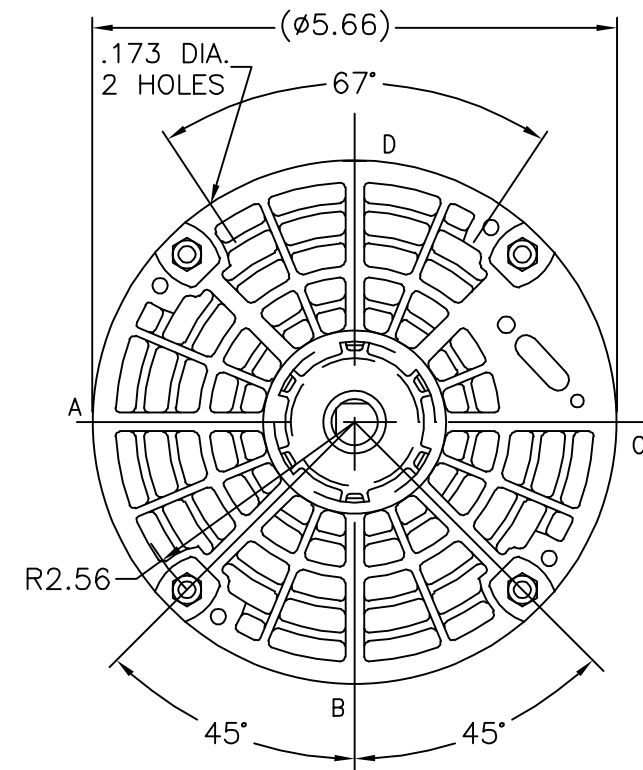
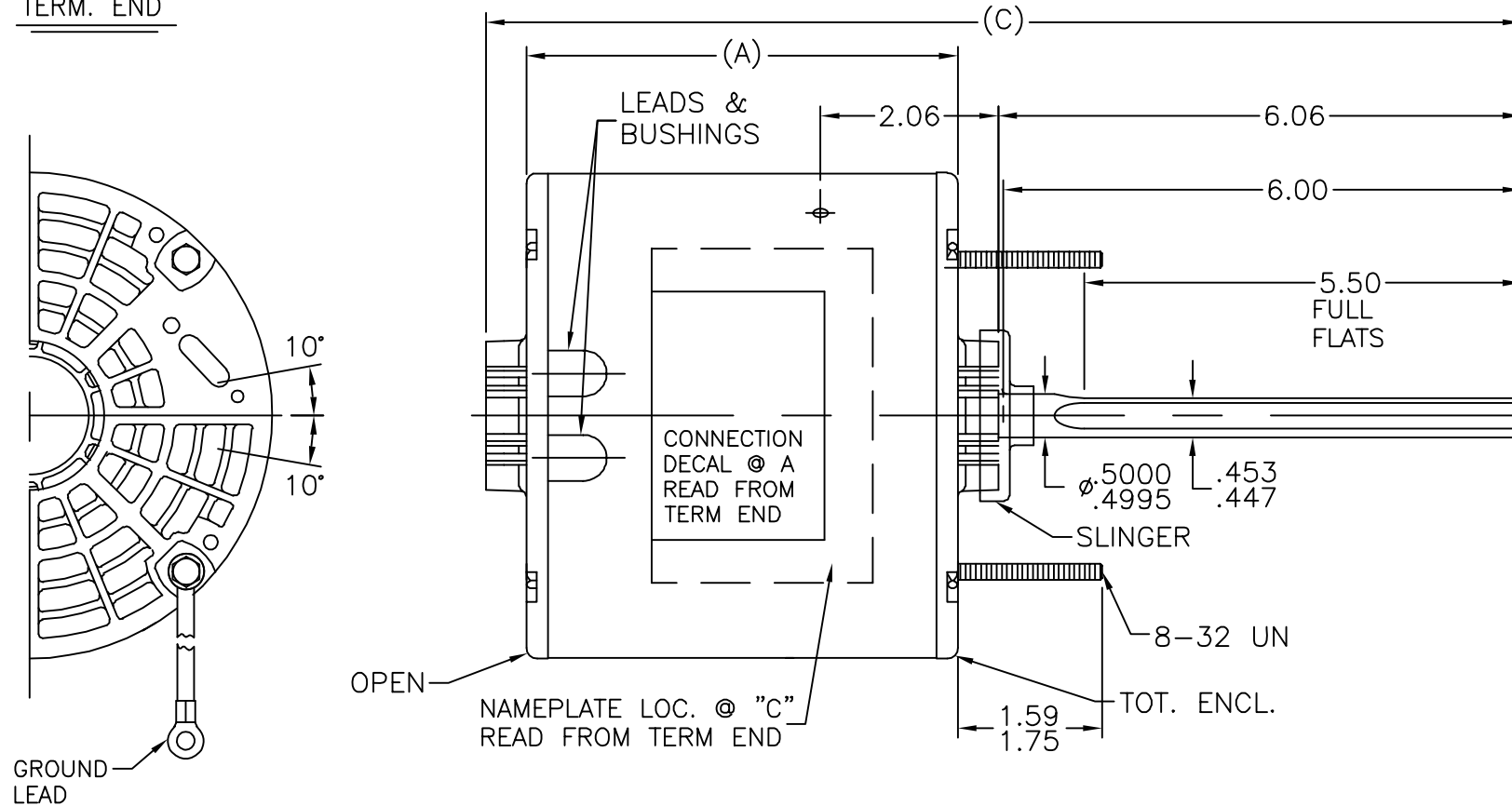


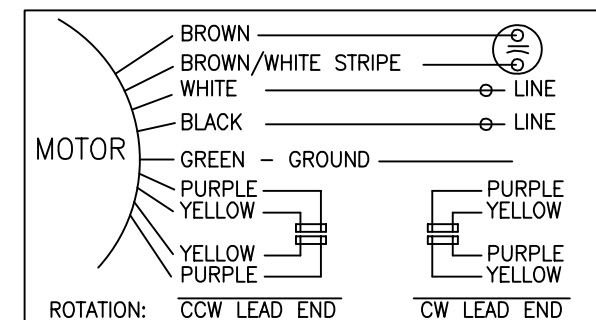
TERM. END



DASH	FRAME	C	A
375	48Y	11.19	4.25
400	48Y	11.44	4.50
450	48Y	11.94	5.00
475	48Y	12.19	5.25
500	48Y	12.44	5.50

LEAD DESCRIPTION:

- 1 BLACK, AND 1 WHITE LEAD WITH .50 BARE WIRE STRIP 30.00" LONG.
- 2 BROWN CAPACITOR LEADS WITH .25 FLAG-TYPE QUICK CONNECTS 30.00" LONG BROWN WITH WHITE MARK IS COMMON TO WHITE LEAD.
- REVERSING LEADS ARE MOLDED INTO MATING PULL APART PLUGS 1 PURPLE, AND 1 YELLOW PER PLUG 5.00" LONG.
- GROUND LEAD WITH TERM. FOR #10 SCREW 12.00" LONG.



NO.	REVISION	BY & DATE	CHK	TOLERANCES UNLESS SPECIFIED		REGAL™ Regal Beloit America, Inc.	DRAWN RM 03-17-1992			
				DEC.	INCHES			CHK ML 03-17-1992		
8	UPDATED DRAWING	TJW 03/30/2007								
7	REDRAWN IN AUTOCAD	TAT 07-22-2004	ML	.X	±.1		APPD GK 03-17-1992			
6	REVISED LEAD LENGTHS	CN 21148 BLR 09-28-1995		.XX	±.03	TITLE OUTLINE	SCALE 3=8			
5	STUD EXT. WAS 1.71/1.58	CN 6402 RM 08-31-1992		.XXX	±.005		REF			
4	REDRAWN AND UPDATED AN CADD	RM 03-17-1992		.XXXX	±.0005	MAT'L.	FMF			
				ANG	±7'30"	FINISH	PREV			
THIS DRAWING IN DESIGN AND DETAIL IS OUR PROPERTY AND MUST NOT BE USED EXCEPT IN CONNECTION WITH OUR WORK ALL RIGHTS OF DESIGN AND INVENTION ARE RESERVED THIS IS AN ELECTRONICALLY GENERATED DOCUMENT - DO NOT SCALE THIS PRINT				RFP	CAD FILE ss73901		SIZE A	DRAWING NO. SS73901	PAGE OF 8	REV. 8
				DIST WP						