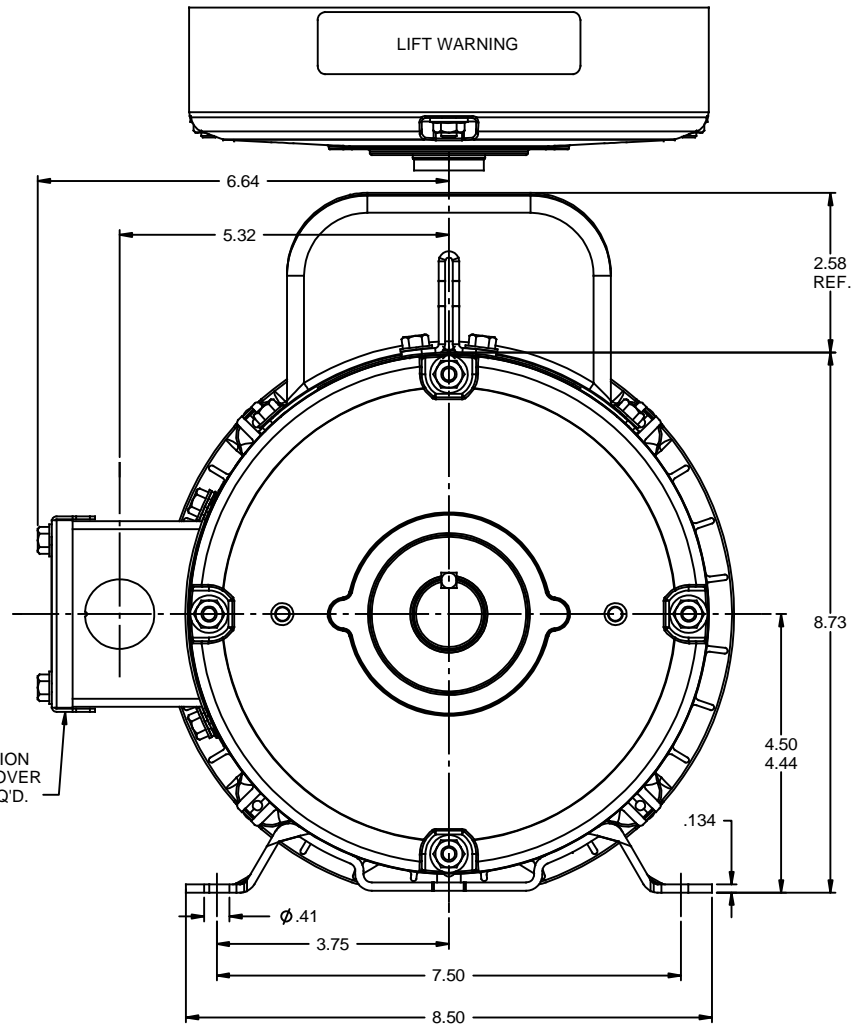
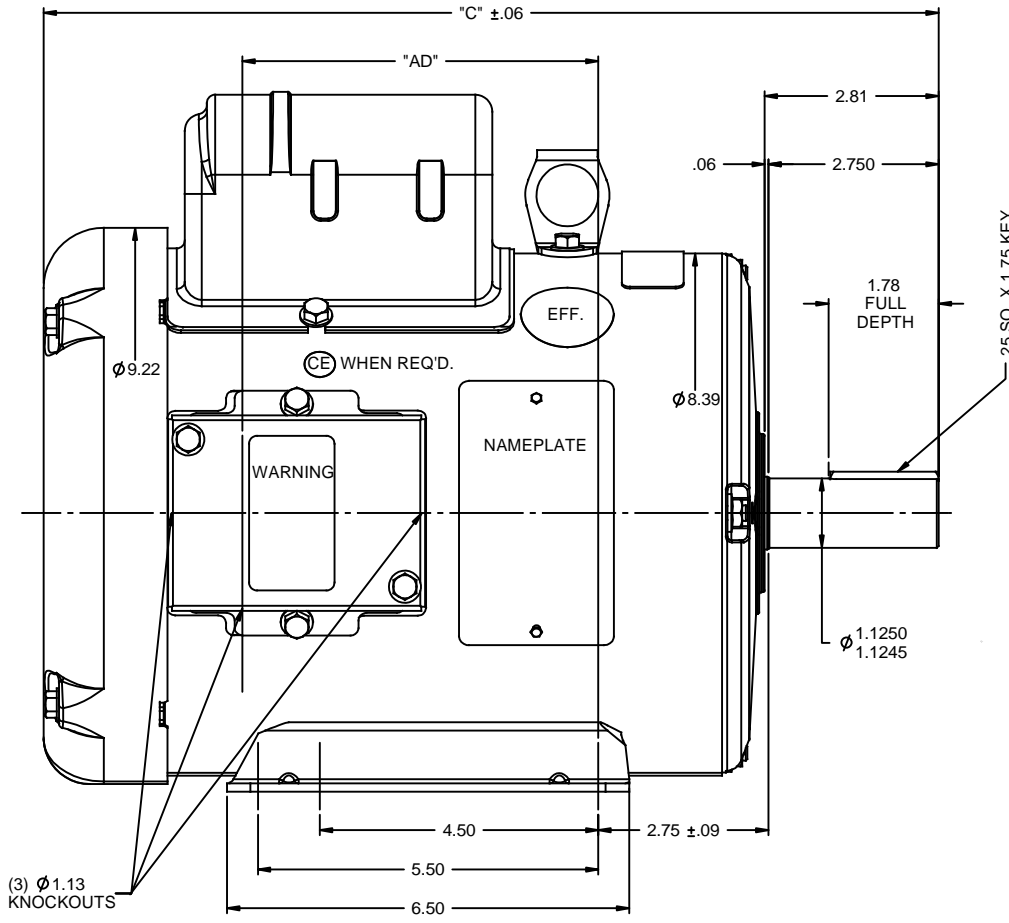


RBC PROPRIETARY AND CONFIDENTIAL INFORMATION
 This document is the property of REGAL BELOIT CORPORATION ("RBC") including its subsidiaries and divisions and contains proprietary information of RBC. This document is loaned on the express condition that neither it nor the information contained therein shall be disclosed to others without the express written consent of RBC, and that the information shall be used by the recipient only as approved expressly by RBC. This document shall be returned to RBC upon its request. This document may be subject to certain restrictions under U.S. export control laws and regulations.



DASH NO.	"C"	"AD"
800	13.46	4.75
850	13.96	5.25
900	14.46	5.75
950	14.96	6.25
1000	15.46	6.75
1050	15.96	7.25
1100	16.46	7.75
1150	16.96	8.25
1200	17.46	8.75

GASKETS THROUGHOUT

REVISION		BY & DATE	CHK	ANG	FINISH	PREV	SIZE	DRAWING NO	REV
- UPDATED & REDRAWN TO SOLIDWORKS		LST 12/15/2009	XX	XXX	±.0005	MATL			
NO			RFP		±1/2"		B	035352	-

TOLERANCES UNLESS SPECIFIED	DEC	INCHES	REGAL BELOIT CORPORATION	DRAWN	PG 6/20/97
X		±.1		CHK	RK 6/20/97
.XX		±.03		APPR	
.XXX		±.005		TITLE	OUTLINE - 180T FRAME
.XXXX		±.0005			TEFC - RIGID MOUNT
				SCALE	1:2
				REF	
				FMF	
				PAGE	OF
				NETWORK FILE NAME	