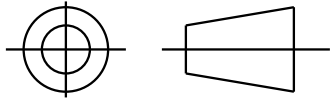


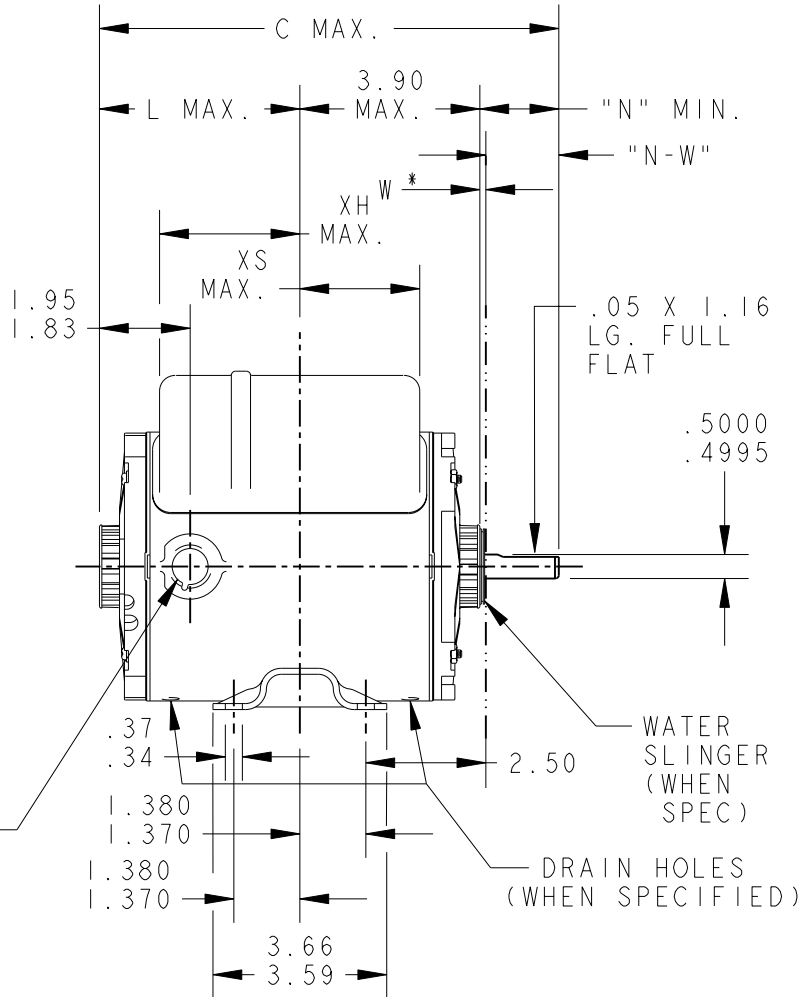
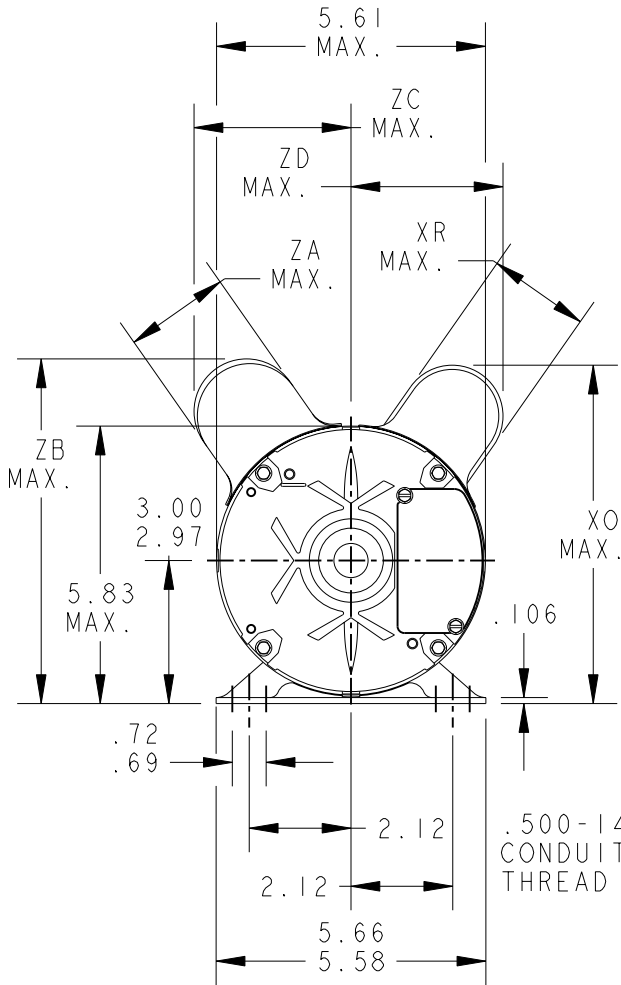
SHEET 1  
REV 5  
52A106931  
SIZE DRAWING NO. A

THIRD ANGLE PROJECTION



REVISIONS


REV.	DESCRIPTION	DATE	APPROVED
3	ADDED PT. #4.	02/16/94	M.D.PAPE
4	REDRAWN BY 2M SOFTWARE CO.	02/09/95	CCP
5	CHG TO RBC FORMAT PER ISO5-1777	02/15/06	SUDHA



W\* IS A CLEARANCE DUE TO VARIATION IN PARTS AND ASSEMBLY.

4	KCP	35	48	9.42	4.22	2.98	2.70	2.22	7.31	3.38	2.22	7.31	3.38	1.50	1.48 1.26
3	KC	37	48	10.40	5.05	3.37	2.33	1.60	6.88	2.59	2.22	7.31	3.38	1.65	1.63 1.41
2	KC	35	48	9.57	4.22	2.98	2.70	2.22	7.31	2.59	2.22	7.31	3.38	1.65	1.63 1.41
1	KC	35	48	9.57	4.22	2.98	2.70	1.60	6.88	2.59	2.22	7.31	3.38	1.65	1.63 1.41
P	TYPE	GE SIZE	NEMA FR	C	L	XH	XS	XR	XO	ZD	ZA	ZB	ZC	"N" MIN.	N-W

SIGNATURES		DATE
MODEL	G.K.FRANKE	04/06/89
DETAIL	.	.
CHECKED	.	.
ENGRG	.	.
MFG	.	.
FOR ADDITIONAL INFO REFER TO:	QUALITY	.
APPLIED PRACTICES	ISSUED	C.C.P. 02/09/95
DIMENSIONS ARE IN INCHES ✓	SOLID MODEL: 52A106931	



**REGAL-BELOIT CORPORATION**

TITLE: **OUTLINE**

**FORM N - GENERAL PURPOSE MOTOR - DRIP PROOF - WELDED BASE - BALL OR SLEEVE BEARING FMF: 5KC35LN9478R**

SCALE: 0.250 REF. No: . SHEET 1 of 1

