

Product Information Packet

April 20, 2017

Data shown is for the current revision model #. Ensure your nameplate model # matches.

Model Number:	5KS284SAE6033D
Catalog Number:	V907
Instruction Manual:	GEK-95351
Connection Diagram:	GEM2034E-FIG9
Outline Drawing:	4002B5828PMP5335

Accessory Connection Diagrams			
Bearing Thermocouple:	None	Heater:	3027JE-1C
RTD:	None	Thermistor:	None
Thermostat:	None	Winding Thermocouple:	None
Bearing RTD:	None		

Table of Contents

Specification	01
Performance Characteristics	02
Outline Drawing	03
Connection Drawing(s)	04
Spare parts	05



Marks:

MODEL NUMBER:	5KS284SAE6033D	Estimated Weight:	460 Lbs
Outline Drawing:	4002B5828PMP5335	Time Rating:	CONT
Connection Diagram:	GEM2034E-FIG9	Enclosure:	TEFC
Instruction Book:	GEK-95351	Encl Construction:	SD
Design Code:	28BD1162A	Ambient Max(°C):	40
Type:	KS	Alt Ambient Max(°C):	65
Frame:	L284TP16	Insulation Class:	H
Phases:	3	NEMA Design:	B
Poles:	4	Nominal Efficiency:	93.6 %
Output Power:	25HP 18.5KW	Guaranteed Efficiency:	92.4
RPM:	1780	3/4 Load Efficiency:	--
Voltage:	230/460	KVA Code:	G
Hertz:	60	Max KVAR:	7.0
Amps - FL:	58.2/29.1	Power Factor:	86.0
Service Factor:	1.15	Bearing - DE:	7310
Alt Service Factor:	1.00	Bearing - ODE:	6210-2ZC3

Enclosure is Totally Enclosed Fan-Cooled

Stamped Nameplate Notes:

PREMIUM EFFICIENT MOTOR
 ROT CCW FACING ODE LEAD/PH SEQUENCE 1-2-3/1-2-3
 HTR LDS HE1-HE2 115V 60W
 SEVERE DUTY
 INVERTER DUTY PER NEMA MG1 PART 31
 ALTERNATE RATING FOR PWM CONTROL:
 1.0 SF VAR TORQUE RANGE 20-60 HZ

Additional Information:

4P - TP EXTN
 C/BOX 137 CU IN-1.50 NPT
 HEATER LEADS EXIT WITH MOTOR LEADS
 E/SHLD GROUND STUD MTD ON DE C/BOX SIDE
 RCF 5000 CPM, STATIC DEFLECTION .0014 INCHES &
 CENTER OF GRAVITY 12.00 INCHES
 HOLLOW SHAFT HIGH THRUST
 OIL RESISTANT SLEEVING ON LEADS
 BEARING LIFE 8760 HOURS AT 2959 LB THRUST
 COUPLING NOT INCLUDED IN BOM, WILL BE
 ORDERED SEPERATELY

Performance Characteristics

1st Winding 1st Connection

Design: 28BD1162A

Marks:

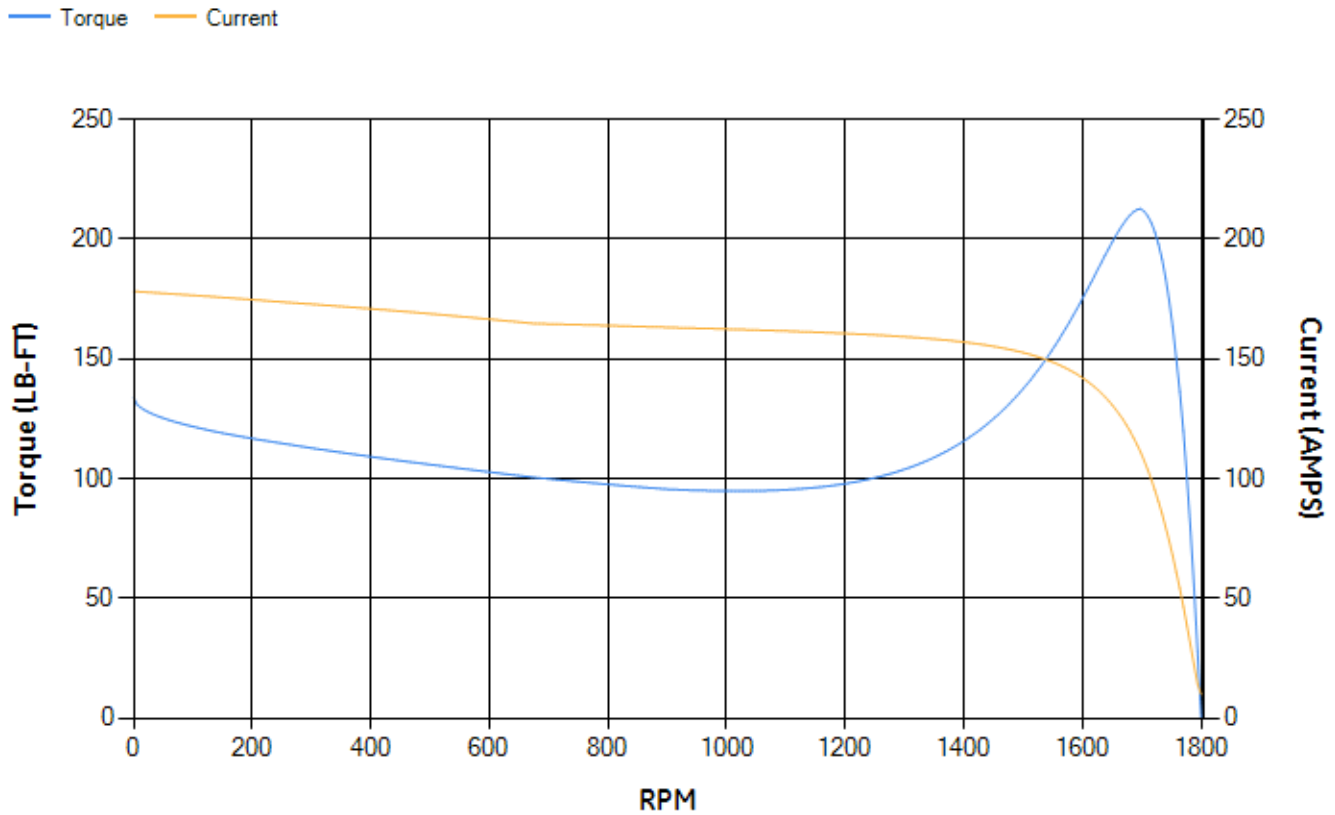
LOAD %	125.0	115.0	100.0	75.0	50.0	25.0	0.0
% EFF	92.52	92.94	93.68	94.08	94.02	91.68	0.00
% PF	86.96	86.73	85.92	82.68	74.44	52.93	4.42
AMPS	36.35	33.38	29.05	22.56	16.72	12.05	9.8

TORQ(FL)#FT	73.83	TORQ(LR)%FL	181.28	TORQ(BD)%FL	286.96
AMPS(LR)	178.14	PF AT START	0.38		

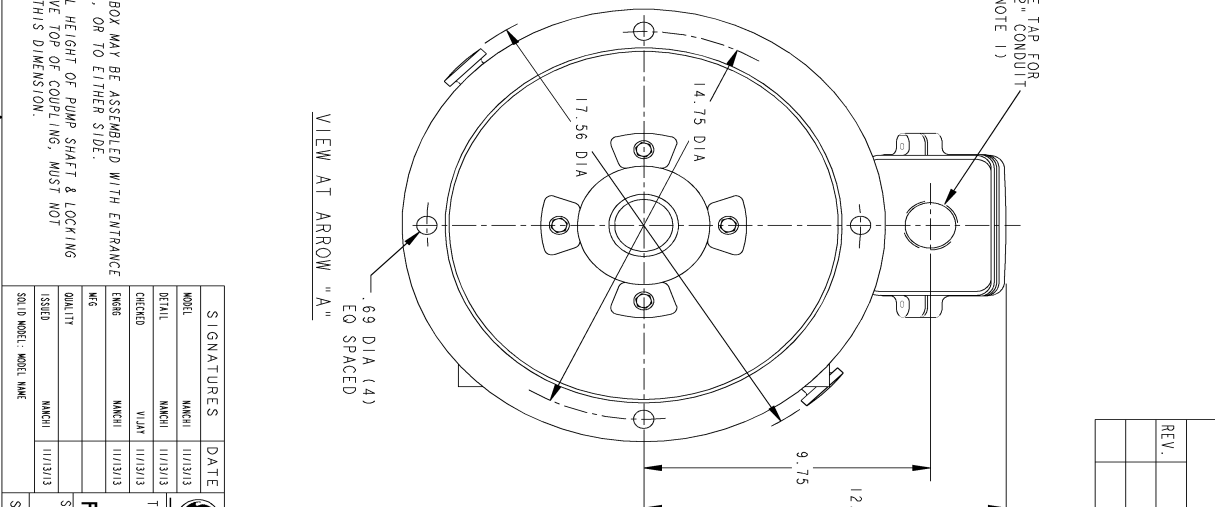
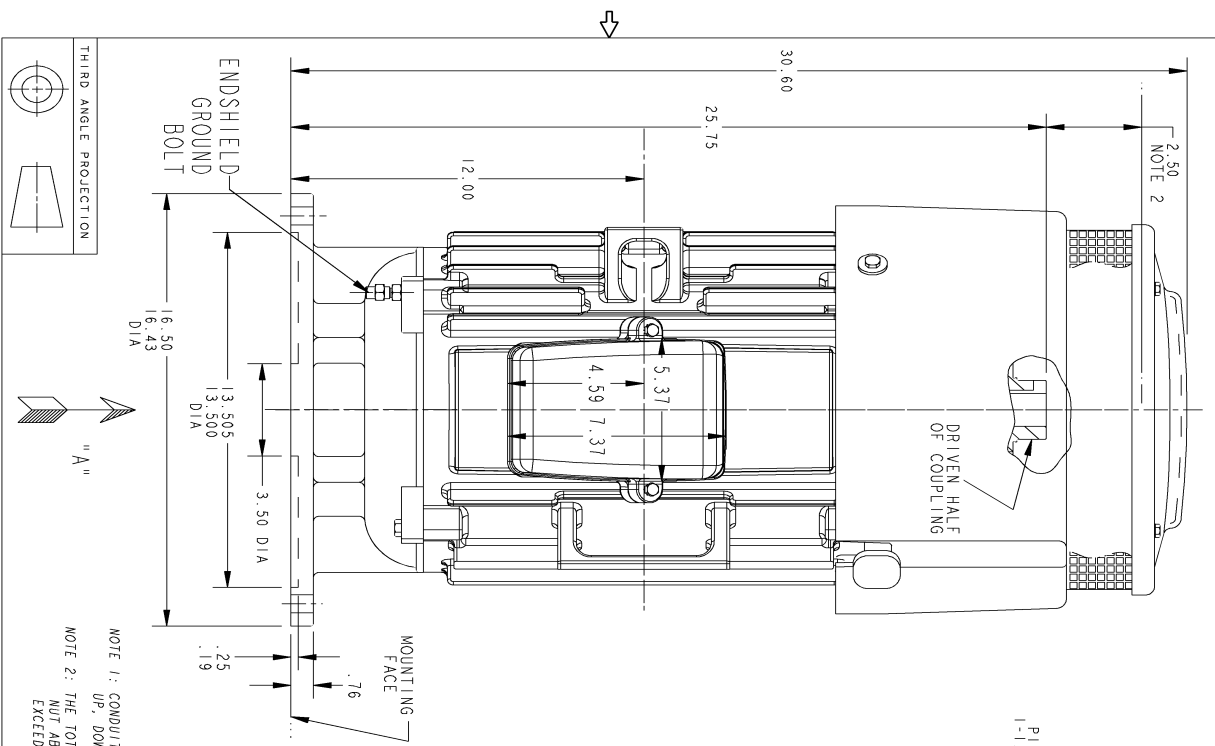
This motor is capable of two cold or one hot start with a maximum connected load inertia of 887 Lb-Ft Sq (37.34 Kg-meter Sq)at 100% voltage, where the load torque varies with the square of the speed. Acceleration time with maximum inertia and the above load type is 56 seconds. Safe stall time at 100% voltage is 100 seconds cold, 67 seconds hot. Rotor inertia is 4.93 Lb-Ft Sq (0.21 Kg-meter Sq).

Open Circuit A-C:	0.627	Short Circuit D-C:	0.016
Short Circuit A-C:	0.028	X/R Ratio:	5.887
Stator Slots:	48	Rotor Slots:	40

Speed Torque Current Curve (First Connection, First Speed)



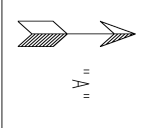
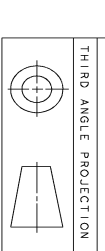
Marks:



COUPLING KIT		RPM	"B1"	"B2"	"XM"	BORE DIA. "BX"	KEYWAY "W"	"D"
4002B5528AB BOLTED OR SELF-RELEASE		3600	1/4-20	1/4-20	1.750	1.252	.188	.188
4002B5528AA NON-REVERSE		GR. 1 GR. 8	1/4-20	1.750	1.251	1.189	.250	.125
		GR. 2 GR. 9	1/4-20	1.750	1.188	1.002	.250	.125
		GR. 3 GR. 10	#10-32	1.375	1.001	.876	.188	.094
		GR. 4 GR. 11	#10-32	1.375	.875	.751	.188	.094
		GR. 5 GR. 12	1/4-20	1.750	1.252	1.251	.188	.188
		GR. 6 GR. 13	1/4-20	1.750	1.251	1.189	.250	.125
		GR. 7 GR. 14	1/4-20	1.750	1.251	1.002	.250	.125
		GR. 8 GR. 15	#10-32	1.375	.876	.751	.188	.094
		GR. 9 GR. 16	1/4-20	1.750	1.252	1.251	.188	.188
		GR. 10 GR. 17	1/4-20	1.750	1.251	1.189	.250	.125
		GR. 11 GR. 18	#10-32	1.375	1.002	.876	.188	.094
		GR. 12 GR. 19	1/4-20	1.750	1.252	1.251	.188	.188
		GR. 13 GR. 20	1/4-20	1.750	1.251	1.189	.250	.125
		GR. 14 GR. 21	#10-32	1.375	.876	.751	.188	.094
		GR. 15 GR. 22	1/4-20	1.750	1.252	1.251	.188	.188
		GR. 16 GR. 23	1/4-20	1.750	1.251	1.189	.250	.125
		GR. 17 GR. 24	#10-32	1.375	.876	.751	.188	.094
		GR. 18 GR. 25	1/4-20	1.750	1.252	1.251	.188	.188
		GR. 19 GR. 26	1/4-20	1.750	1.251	1.189	.250	.125
		GR. 20 GR. 27	#10-32	1.375	.876	.751	.188	.094
		GR. 21 GR. 28	1/4-20	1.750	1.252	1.251	.188	.188
		GR. 22 GR. 29	1/4-20	1.750	1.251	1.189	.250	.125
		GR. 23 GR. 30	#10-32	1.375	.876	.751	.188	.094
		GR. 24 GR. 31	1/4-20	1.750	1.252	1.251	.188	.188
		GR. 25 GR. 32	1/4-20	1.750	1.251	1.189	.250	.125
		GR. 26 GR. 33	#10-32	1.375	.876	.751	.188	.094
		GR. 27 GR. 34	1/4-20	1.750	1.252	1.251	.188	.188
		GR. 28 GR. 35	1/4-20	1.750	1.251	1.189	.250	.125
		GR. 29 GR. 36	#10-32	1.375	.876	.751	.188	.094
		GR. 30 GR. 37	1/4-20	1.750	1.252	1.251	.188	.188
		GR. 31 GR. 38	1/4-20	1.750	1.251	1.189	.250	.125
		GR. 32 GR. 39	#10-32	1.375	.876	.751	.188	.094
		GR. 33 GR. 40	1/4-20	1.750	1.252	1.251	.188	.188
		GR. 34 GR. 41	1/4-20	1.750	1.251	1.189	.250	.125
		GR. 35 GR. 42	#10-32	1.375	.876	.751	.188	.094
		GR. 36 GR. 43	1/4-20	1.750	1.252	1.251	.188	.188
		GR. 37 GR. 44	1/4-20	1.750	1.251	1.189	.250	.125
		GR. 38 GR. 45	#10-32	1.375	.876	.751	.188	.094
		GR. 39 GR. 46	1/4-20	1.750	1.252	1.251	.188	.188
		GR. 40 GR. 47	1/4-20	1.750	1.251	1.189	.250	.125
		GR. 41 GR. 48	#10-32	1.375	.876	.751	.188	.094
		GR. 42 GR. 49	1/4-20	1.750	1.252	1.251	.188	.188
		GR. 43 GR. 50	1/4-20	1.750	1.251	1.189	.250	.125
		GR. 44 GR. 51	#10-32	1.375	.876	.751	.188	.094
		GR. 45 GR. 52	1/4-20	1.750	1.252	1.251	.188	.188
		GR. 46 GR. 53	1/4-20	1.750	1.251	1.189	.250	.125
		GR. 47 GR. 54	#10-32	1.375	.876	.751	.188	.094
		GR. 48 GR. 55	1/4-20	1.750	1.252	1.251	.188	.188
		GR. 49 GR. 56	1/4-20	1.750	1.251	1.189	.250	.125
		GR. 50 GR. 57	#10-32	1.375	.876	.751	.188	.094
		GR. 51 GR. 58	1/4-20	1.750	1.252	1.251	.188	.188
		GR. 52 GR. 59	1/4-20	1.750	1.251	1.189	.250	.125
		GR. 53 GR. 60	#10-32	1.375	.876	.751	.188	.094
		GR. 54 GR. 61	1/4-20	1.750	1.252	1.251	.188	.188
		GR. 55 GR. 62	1/4-20	1.750	1.251	1.189	.250	.125
		GR. 56 GR. 63	#10-32	1.375	.876	.751	.188	.094
		GR. 57 GR. 64	1/4-20	1.750	1.252	1.251	.188	.188
		GR. 58 GR. 65	1/4-20	1.750	1.251	1.189	.250	.125
		GR. 59 GR. 66	#10-32	1.375	.876	.751	.188	.094
		GR. 60 GR. 67	1/4-20	1.750	1.252	1.251	.188	.188
		GR. 61 GR. 68	1/4-20	1.750	1.251	1.189	.250	.125
		GR. 62 GR. 69	#10-32	1.375	.876	.751	.188	.094
		GR. 63 GR. 70	1/4-20	1.750	1.252	1.251	.188	.188
		GR. 64 GR. 71	1/4-20	1.750	1.251	1.189	.250	.125
		GR. 65 GR. 72	#10-32	1.375	.876	.751	.188	.094
		GR. 66 GR. 73	1/4-20	1.750	1.252	1.251	.188	.188
		GR. 67 GR. 74	1/4-20	1.750	1.251	1.189	.250	.125
		GR. 68 GR. 75	#10-32	1.375	.876	.751	.188	.094
		GR. 69 GR. 76	1/4-20	1.750	1.252	1.251	.188	.188
		GR. 70 GR. 77	1/4-20	1.750	1.251	1.189	.250	.125
		GR. 71 GR. 78	#10-32	1.375	.876	.751	.188	.094
		GR. 72 GR. 79	1/4-20	1.750	1.252	1.251	.188	.188
		GR. 73 GR. 80	1/4-20	1.750	1.251	1.189	.250	.125
		GR. 74 GR. 81	#10-32	1.375	.876	.751	.188	.094
		GR. 75 GR. 82	1/4-20	1.750	1.252	1.251	.188	.188
		GR. 76 GR. 83	1/4-20	1.750	1.251	1.189	.250	.125
		GR. 77 GR. 84	#10-32	1.375	.876	.751	.188	.094
		GR. 78 GR. 85	1/4-20	1.750	1.252	1.251	.188	.188
		GR. 79 GR. 86	1/4-20	1.750	1.251	1.189	.250	.125
		GR. 80 GR. 87	#10-32	1.375	.876	.751	.188	.094
		GR. 81 GR. 88	1/4-20	1.750	1.252	1.251	.188	.188
		GR. 82 GR. 89	1/4-20	1.750	1.251	1.189	.250	.125
		GR. 83 GR. 90	#10-32	1.375	.876	.751	.188	.094
		GR. 84 GR. 91	1/4-20	1.750	1.252	1.251	.188	.188
		GR. 85 GR. 92	1/4-20	1.750	1.251	1.189	.250	.125
		GR. 86 GR. 93	#10-32	1.375	.876	.751	.188	.094
		GR. 87 GR. 94	1/4-20	1.750	1.252	1.251	.188	.188
		GR. 88 GR. 95	1/4-20	1.750	1.251	1.189	.250	.125
		GR. 89 GR. 96	#10-32	1.375	.876	.751	.188	.094
		GR. 90 GR. 97	1/4-20	1.750	1.252	1.251	.188	.188
		GR. 91 GR. 98	1/4-20	1.750	1.251	1.189	.250	.125
		GR. 92 GR. 99	#10-32	1.375	.876	.751	.188	.094
		GR. 93 GR. 100	1/4-20	1.750	1.252	1.251	.188	.188

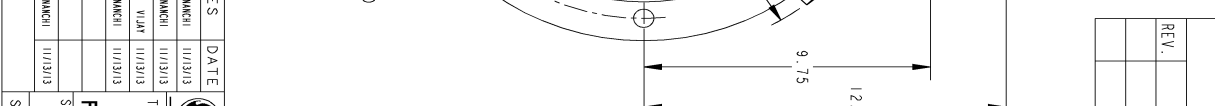
GE Motors
GENERAL ELECTRIC COMPANY
FR280 TFC STD. "P" BASE (BD-16) EKT ON DE SIDE
4002B5828PMP5335
HOLLOW SHAFT - HIGH THRUST
 TITLE: **OUTLINE**
 SCALE: DRAWING SCALE
 SHEET 1 OF 1

NOTE 1: CONDUIT BOX MAY BE ASSEMBLED WITH ENTRANCE UP, DOWN, OR TO EITHER SIDE.
 NOTE 2: THE TOTAL HEIGHT OF PUMP SHAFT & LOCKING NUT ABOVE TOP OF COUPLING, MUST NOT EXCEED THIS DIMENSION.



REV.	DESCRIPTION	DATE	APPROVED

SIZE	B
DRAWING NO.	4002B5828PMP5335
REV.	0
SHEET	1

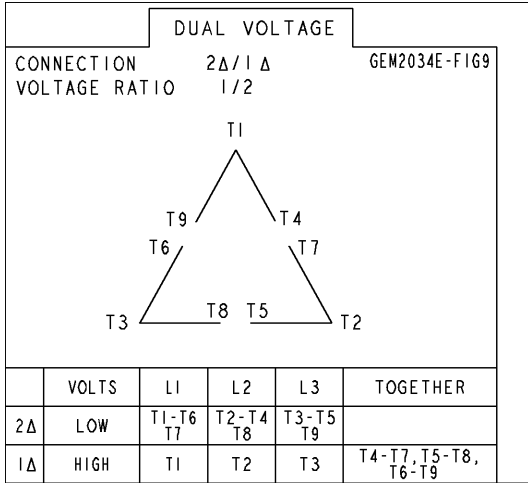


REV.	DESCRIPTION	DATE	APPROVED

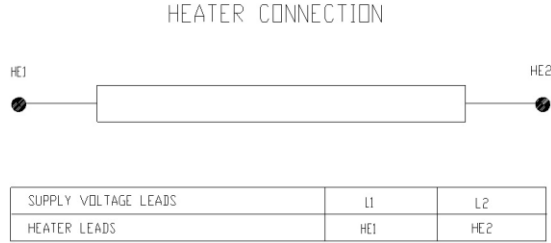
REV.	DESCRIPTION	DATE	APPROVED

Marks:

Connection Diagram
GEM2034E-FIG9



Heater Connection
3027JE-1C



End shield Assembly		
Part Description	DE Side Part#	ODE Side Part#
End Shield	128D6230PA1	128D6232PB1
Bearing	235A2508ET01	235A2508AK01
Slinger/Inproseal	235A2300FL2	

Fan & Fan Cover Assembly	
Part Description	Part#
Fan	
Fan Cover	4003C5528AE-G01

Conduit & Accessories Box Assembly	
Part Description	Part#
Conduit Box	4002B5728PA-G01

Mechanical Accessories	
Part Description	Part#
Brake	
Tachometer	