

Product Information Packet

November 9, 2016

Data shown is for the current revision model #. Ensure your nameplate model # matches.

Model Number:	5KS449SAA212D8
Catalog Number:	M9990
Instruction Manual:	GEI-56128
Connection Diagram:	GEM2034E-FIG25
Outline Drawing:	239C6800FR

Accessory Connection Diagrams

Bearing Thermocouple:	None	Heater:	None
RTD:	None	Thermistor:	None
Thermostat:	None	Winding Thermocouple:	None
Bearing RTD:	None		

Table of Contents

Specification	01
Performance Characteristics	02
Outline Drawing	03
Connection Drawing(s)	04
Spare parts	05



Marks:

MODEL NUMBER:	5KS449SAA212D8	Estimated Weight:	3030 Lbs
Outline Drawing:	239C6800FR	Time Rating:	CONT
Connection Diagram:	GEM2034E-FIG25	Enclosure:	TEFC
Instruction Book:	GEI-56128	Encl Construction:	X\$D
Design Code:	49BD1242A	Ambient Max(°C):	40
Type:	KS	Alt Ambient Max(°C):	65
Frame:	449T	Insulation Class:	H
Phases:	3	NEMA Design:	B
Poles:	4	Nominal Efficiency:	96.2 %
Output Power:	300HP 222KW	Guaranteed Efficiency:	95.8
RPM:	1790	3/4 Load Efficiency:	96.3
Voltage:	460	KVA Code:	G
Hertz:	60	Max KVAR:	67.3
Amps - FL:	332.0	Power Factor:	88.0
Service Factor:	1.25	Bearing - DE:	6318ZC3
Alt Service Factor:	1.00	Bearing - ODE:	6318ZC3

Enclosure is Totally Enclosed Fan-Cooled

Stamped Nameplate Notes:

FOR DIRECT COUPLED LOAD ONLY
 SF AMPS 413.3
 STAMP NP249A5564P051 AS BELOW:
 MODEL:5KS449SAA212D8 S/N: XXX
 CSA CERTIFIED CSA09.2216219 FOR EX NA IIC 200 C GC
 CL 1 ZONE2 AEX NA IIC 200C;CL 1 DIV2 GRP ABCD 200C
 IN -40C <= AMB <= 40C, 1.0 SF ON SINE-WAVE PWR
 SURF TEMP 260C AT 1.25SF ON SINE-WAVE PWR
 OR 200 C VT OR 230 C CT OR 200 C CHP PWM CONTROL
 ALTERNATE RATING FOR PWM CONTROL 1.0SF 40C AMB
 VT 0-60 HZ, CT 30-60 HZ, CHP 60-75 HZ.

Additional Information:

4P - T EXTN - SPLIT LEAD
 1260 CU IN - 2(4.00" NPT)
 C/B GRD PLATE
 OIL RESISTANT SLEEVING ON LEADS
 F1 MOUNTING

Performance Characteristics

1st Winding 1st Connection

Design: 49BD1242A

Marks:

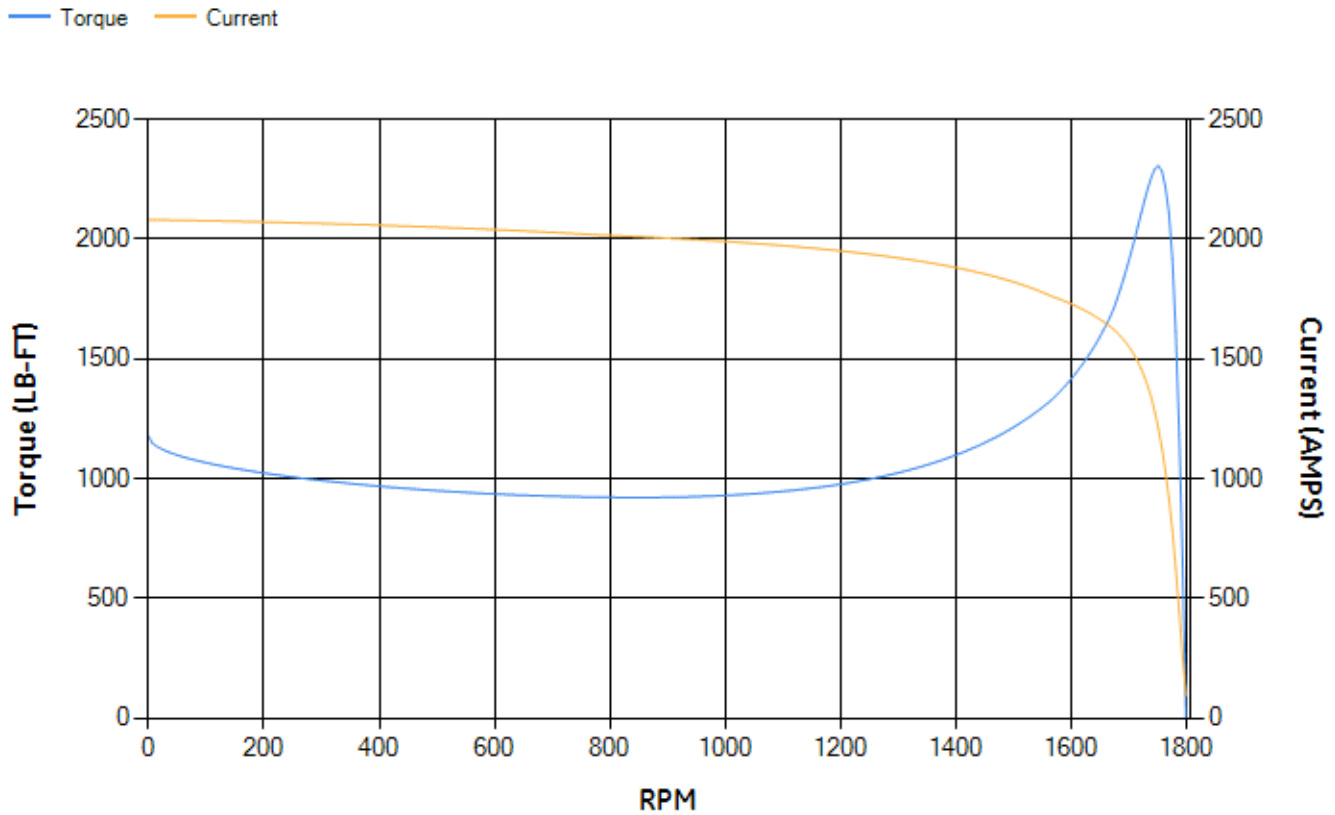
LOAD %	125.0	115.0	100.0	75.0	50.0	25.0	0.0
% EFF	95.79	95.96	96.35	96.28	95.92	93.8	0.00
% PF	88.64	88.61	88.2	86.01	79.65	60.14	4.29
AMPS	413.34	379.77	330.43	254.29	183.76	124.44	93.9

TORQ(FL)#FT	879.61	TORQ(LR)%FL	133.69	TORQ(BD)%FL	261.89
AMPS(LR)	2080.6	PF AT START	0.22		

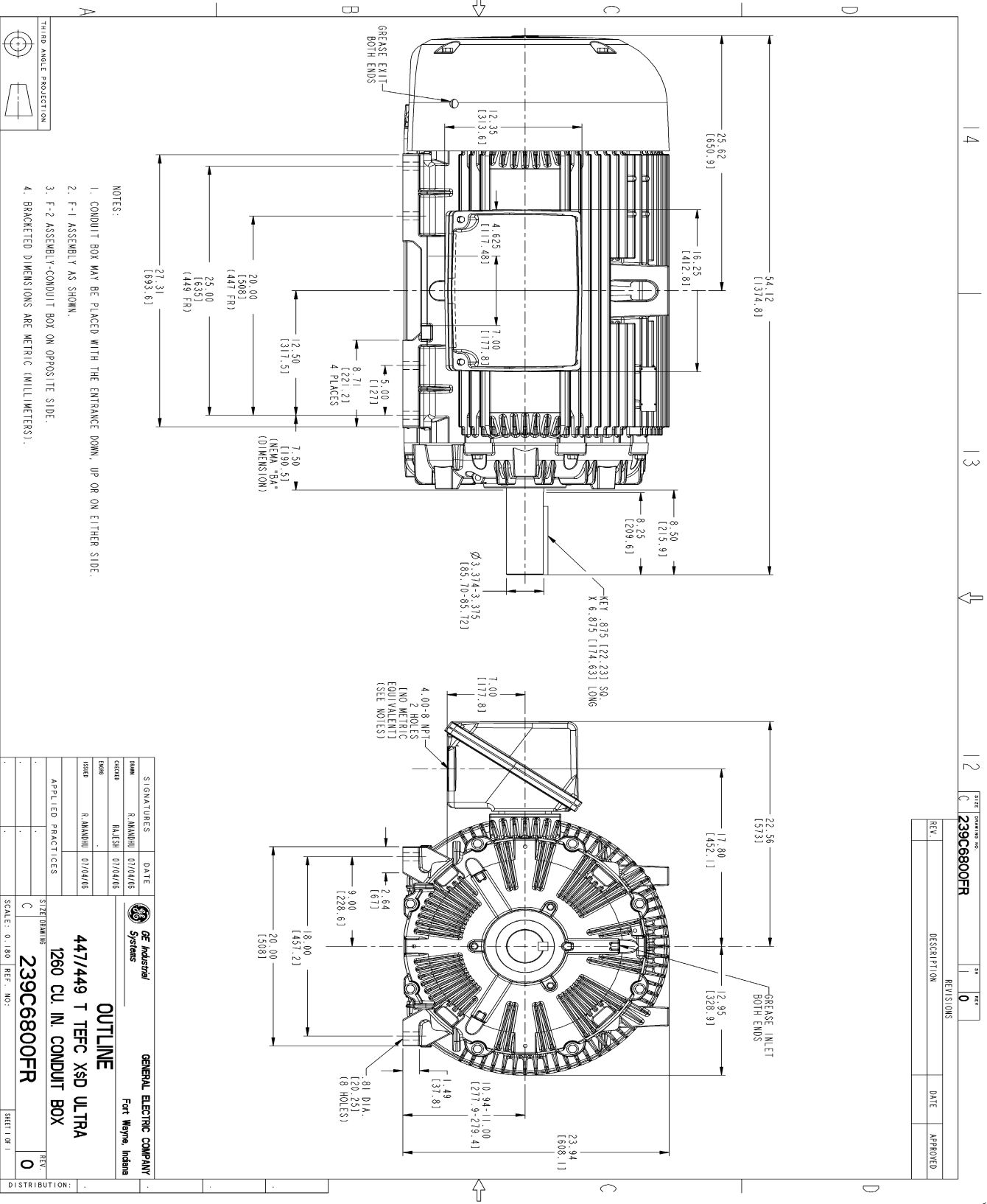
This motor is capable of two cold or one hot start with a maximum connected load inertia of 8799 Lb-Ft Sq (370.44 Kg-meter Sq)at 100% voltage, where the load torque varies with the square of the speed. Acceleration time with maximum inertia and the above load type is 66 seconds. Safe stall time at 100% voltage is 143 seconds cold, 79 seconds hot. Rotor inertia is 131.78 Lb-Ft Sq (5.55 Kg-meter Sq).

Open Circuit A-C:	1.772	Short Circuit D-C:	0.039
Short Circuit A-C:	0.072	X/R Ratio:	14.519
Stator Slots:	72	Rotor Slots:	58

Speed Torque Current Curve (First Connection, First Speed)



Marks:



NOTES:

1. CONDUIT BOX MAY BE PLACED WITH THE ENTRANCE DOWN, UP OR ON EITHER SIDE.
2. F-1 ASSEMBLY AS SHOWN.
3. F-2 ASSEMBLY-CONDUIT BOX ON OPPOSITE SIDE.
4. BRACKETED DIMENSIONS ARE METRIC (MILLIMETERS).

REV.	DESCRIPTION	DATE	APPROVED
0			

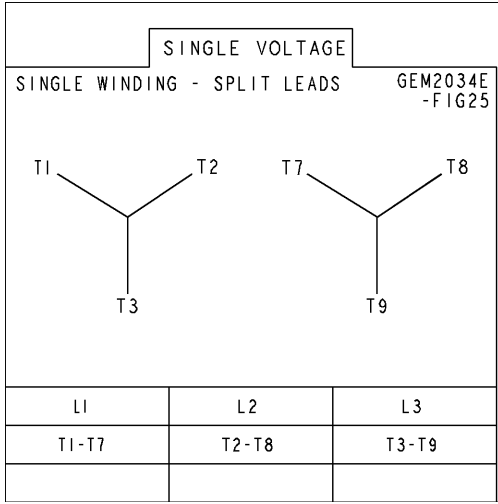
SIGNATURES	DATE	GENERAL ELECTRIC COMPANY
DWG: R. MANOHU	07/24/05	Fort Wayne, Indiana
CHKD: RALSH	07/24/05	
DRWG: R. MANOHU	07/24/05	

OUTLINE
447/449 T TEFC XSD UL TRA
1260 CU. IN. CONDUIT BOX
239C6800FR

SCALE: 0.180 REF. NO.:
SHEET 1 OF 1

Marks:

Connection Diagram
GEM2034E-FIG25



End shield Assembly		
Part Description	DE Side Part#	ODE Side Part#
End Shield	115E4355AA1	115E4355LM1
Bearing	235A2514AG01	235A2514AG01
Slinger/Inproseal	149C4399G07	149C4399G07

Fan & Fan Cover Assembly	
Part Description	Part#
Fan	159C7100G03
Fan Cover	128D6841AA1

Conduit & Accessories Box Assembly	
Part Description	Part#
Conduit Box	179B9058G03

Mechanical Accessories	
Part Description	Part#
Brake	
Tachometer	