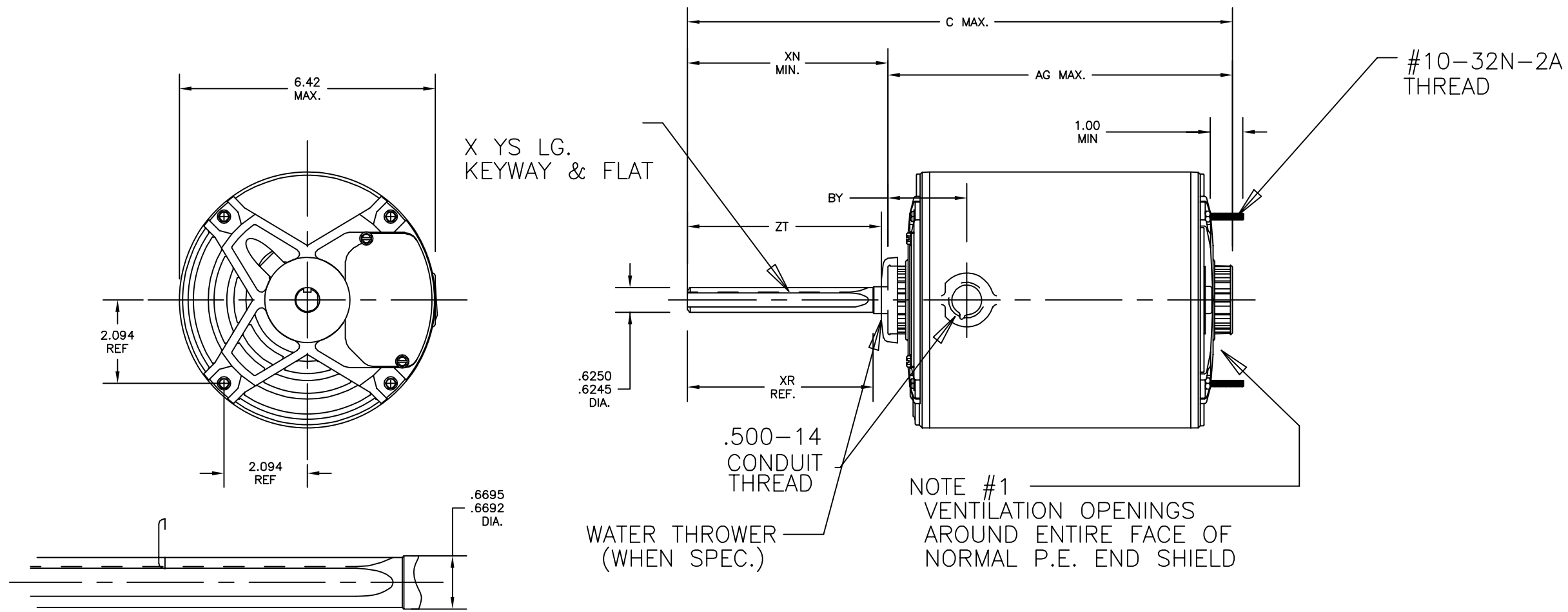


52A110687



ENLARGED VIEW OF SHAFT EXTENSION

3	K	48	56Z	6.00	16.77	10.65	NOTE #1	8.43	2.07/1.95	5.74	4.00	
2	K	49	56Z	6.00	14.89	8.77	NOTE #1	6.55	2.07/1.95	5.74	4.00	
1	K	49	56Z	6.00	16.02	9.90	NOTE #1	7.68	2.07/1.95	5.74	4.00	5.77 5.73
P	TYPE	RBC SIZE	NEMA FR	XN	C	AG	REMARKS	SHELL LG.	BY	XR	YS	ZT

				TOLERANCES UNLESS SPECIFIED		REGAL-BELOIT CORPORATION				DRAWN DS 5/23/03			
				DEC.	INCHES					CHK			
				.X	±0.1	TITLE				APPD DS 09/8/2014			
				.XX	±0.02					SCALE 1=1			
B	REPLACED GE WITH RBC PER ECO-0059212		PVN 09/8/2014	DS	.XXX	±0.005	OUTLINE 40 FR. REDESIGN - OUTDOOR CONDENSOR -				REF		
1	CHG TO RBC FORMAT PER ISO5-1777		SUDA 4/25/06	SUDA	XXXX	±0.0005					MAT'L.		FMF
NO.	REVISION		BY & DATE	CHK	ANG	±1.0	FINISH				PREV		
THIS DRAWING IN DESIGN AND DETAIL IS OUR PROPERTY AND MUST NOT BE USED EXCEPT IN CONNECTION WITH OUR WORK ALL RIGHTS OF DESIGN AND INVENTION ARE RESERVED THIS IS AN ELECTRONICALLY GENERATED DOCUMENT - DO NOT SCALE THIS PRINT				RFP	CAD FILE		52A110687		SIZE	DRAWING NO.		REV.	
				DIST			A		52A110687		B		