

# Product Information Packet

January 12, 2017

Data shown is for the current revision model #. Ensure your nameplate model # matches.

<b>Model Number:</b>	<b>5KS326CAG308A</b>
<b>Catalog Number:</b>	<b>E9295</b>
<b>Instruction Manual:</b>	GEI-56128
<b>Connection Diagram:</b>	GEM2034E-FIG7
<b>Outline Drawing:</b>	225B4700AA

Accessory Connection Diagrams			
<b>Bearing Thermocouple:</b>	None	<b>Heater:</b>	None
<b>RTD:</b>	None	<b>Thermistor:</b>	None
<b>Thermostat:</b>	3027JE-2	<b>Winding Thermocouple:</b>	None
<b>Bearing RTD:</b>	None		

Table of Contents	
Specification	01
Performance Characteristics	02
Outline Drawing	03
Connection Drawing(s)	04

**Marks:**

<b>MODEL NUMBER:</b>	<b>5KS326CAG308A</b>	<b>Estimated Weight:</b>	730 Lbs
<b>Outline Drawing:</b>	225B4700AA	<b>Time Rating:</b>	CONT
<b>Connection Diagram:</b>	GEM2034E-FIG7	<b>Enclosure:</b>	TEFC
<b>Instruction Book:</b>	GEI-56128	<b>Encl Construction:</b>	XP
<b>Design Code:</b>	32ED3017A	<b>Ambient Max(°C):</b>	40
<b>Type:</b>	KS	<b>Alt Ambient Max(°C):</b>	XX
<b>Frame:</b>	326T	<b>Insulation Class:</b>	F
<b>Phases:</b>	3	<b>NEMA Design:</b>	A
<b>Poles:</b>	6	<b>Nominal Efficiency:</b>	93.0 %
<b>Output Power:</b>	30HP 22.2KW	<b>Guaranteed Efficiency:</b>	91.7
<b>RPM:</b>	1180	<b>3/4 Load Efficiency:</b>	93.6
<b>Voltage:</b>	460	<b>KVA Code:</b>	H
<b>Hertz:</b>	60	<b>Max KVAR:</b>	9.0
<b>Amps - FL:</b>	37.0	<b>Power Factor:</b>	81.5
<b>Service Factor:</b>	1.0	<b>Bearing - DE:</b>	6312ZC3
<b>Alt Service Factor:</b>	XX	<b>Bearing - ODE:</b>	6312ZC3

**Enclosure is Totally Enclosed Fan-Cooled**

---

**Stamped Nameplate Notes:**

EXPLOSION PROOF MOTOR  
TEMP CODE T3C  
THERMOSTAT LEADS TB1-TB2:TRIP

**Additional Information:**

STAMP NP249A5571AD AS FOLLOWS:  
CL I GR C&D CL II GR F&G  
6 POLE, T SHAFT EXTN  
(3)NC THERMOSTAT LEADS TO MAIN CONDUIT BOX  
250 Cu. In. CBOX

**Performance Characteristics**

1st Winding 1st Connection

**Design: 32ED3017A**

**Marks:**

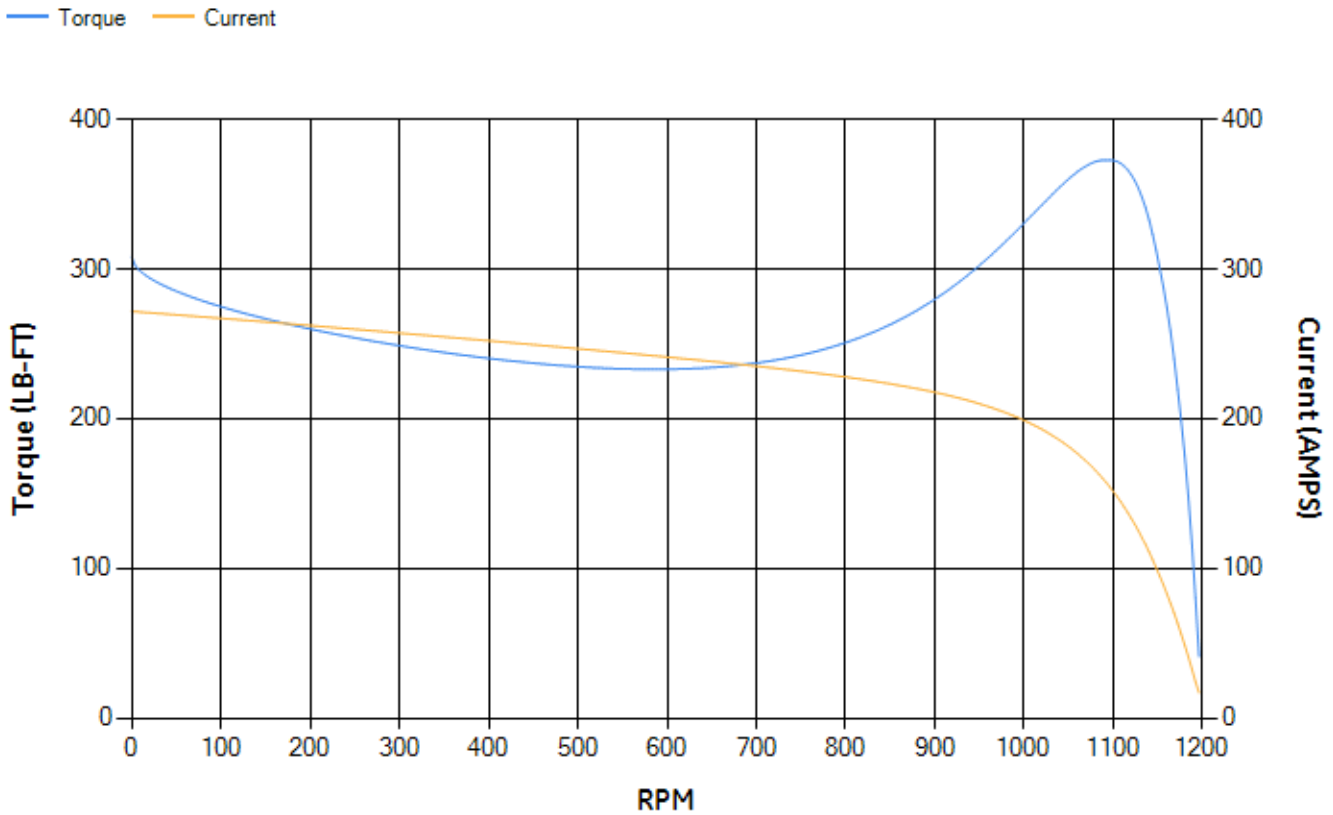
LOAD %	125.0	115.0	100.0	75.0	50.0	25.0	0.0
% EFF	92.05	92.5	93.24	93.56	93.26	90.25	0.00
% PF	82.1	82.07	81.48	78.4	70.28	49.86	5.12
AMPS	46.45	42.54	36.96	28.71	21.42	15.6	12.53

<b>TORQ(FL)#FT</b>	133.34	<b>TORQ(LR)%FL</b>	231.23	<b>TORQ(BD)%FL</b>	278.2
<b>AMPS(LR)</b>	271.7	<b>PF AT START</b>	0.34		

This motor is capable of two cold or one hot start with a maximum connected load inertia of 2013 Lb-Ft Sq (84.75 Kg-meter Sq)at 100% voltage, where the load torque varies with the square of the speed. Acceleration time with maximum inertia and the above load type is 35 seconds. Safe stall time at 100% voltage is 78 seconds cold, 52 seconds hot. Rotor inertia is 15.03 Lb-Ft Sq (0.63 Kg-meter Sq).

<b>Open Circuit A-C:</b>	0.507	<b>Short Circuit D-C:</b>	0.015
<b>Short Circuit A-C:</b>	0.022	<b>X/R Ratio:</b>	5.595
<b>Stator Slots:</b>	54	<b>Rotor Slots:</b>	42

**Speed Torque Current Curve (First Connection, First Speed)**



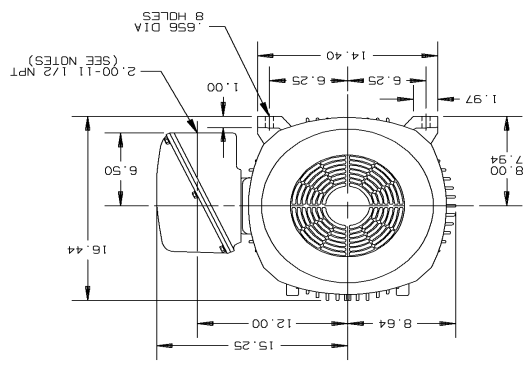
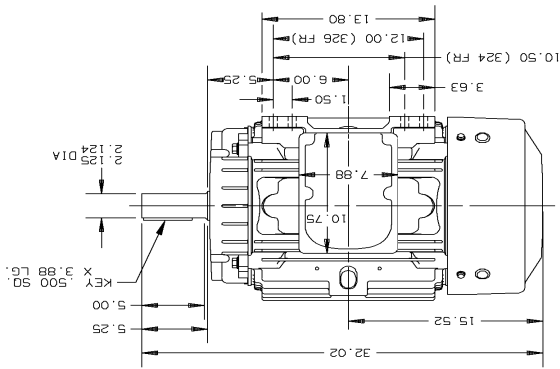
Marks:

SHEET 1 OF 1		SCALE .15	APPROVED BY: [Signature]
225B4700AA		CAD NO. F320:225B4700AA	DATE: 04/06/82
324/326 FR TFFC, 250 CU. IN. CONDUIT BOX		SIZE FRM NO.	DATE: 04/12/82
OUTLINE (XP)		DESIGNED BY: [Signature]	DATE: 04/06/82
Fort Wayne, Indiana		CHECKED BY: [Signature]	DATE: 04/06/82
GE Motors		ENGINEER: [Signature]	DATE: 04/06/82
METRIC EQUIV. 225B4700AD		DRAWN BY: [Signature]	DATE: 04/06/82

THIRD ANGLE PROJECTION

NOTES:

- CONDUIT BOX MAY BE PLACED WITH THE ENTRANCE DOWN, UP, OR ON EITHER SIDE
- F-1 ASM HAS CONDUIT BOX ON OPPOSITE SIDE
- F-2 ASM HAS CONDUIT BOX ON OPPOSITE SIDE

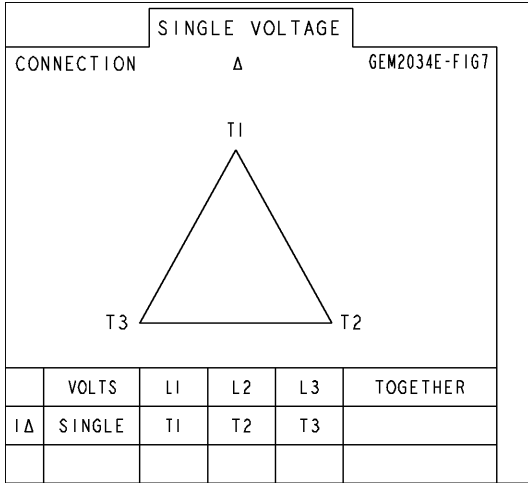


REV	DESCRIPTION	DATE	APPROVED
1	ADDED METRIC EQUIVALENT TM	09/21/83	
2	910-963 CLF	10/17/91	

SIZE: [Symbol] Dwg No: 225B4700AA Rev: 2

Marks:

**Connection Diagram**  
**GEM2034E-FIG7**



**Thermostat Connection**  
**3027JE-2**

FIG. 2  
THERMOSTAT CONN.

