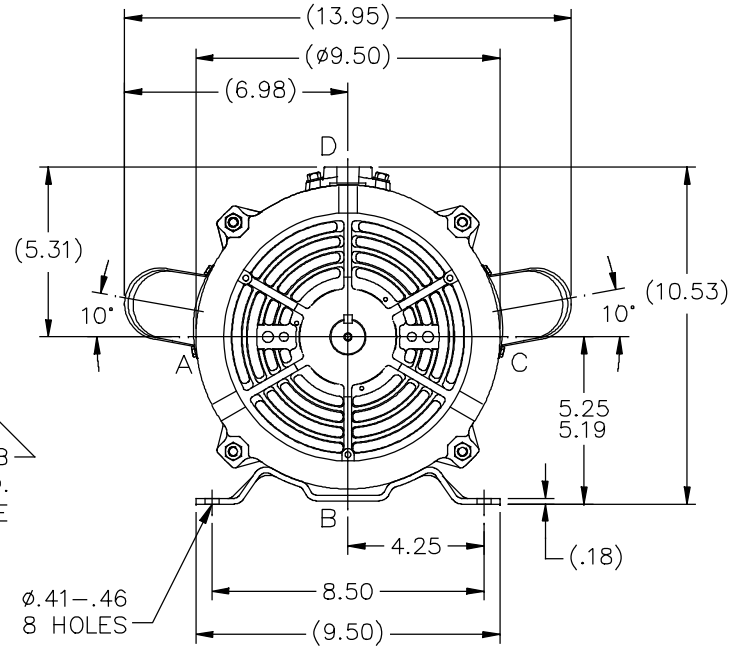
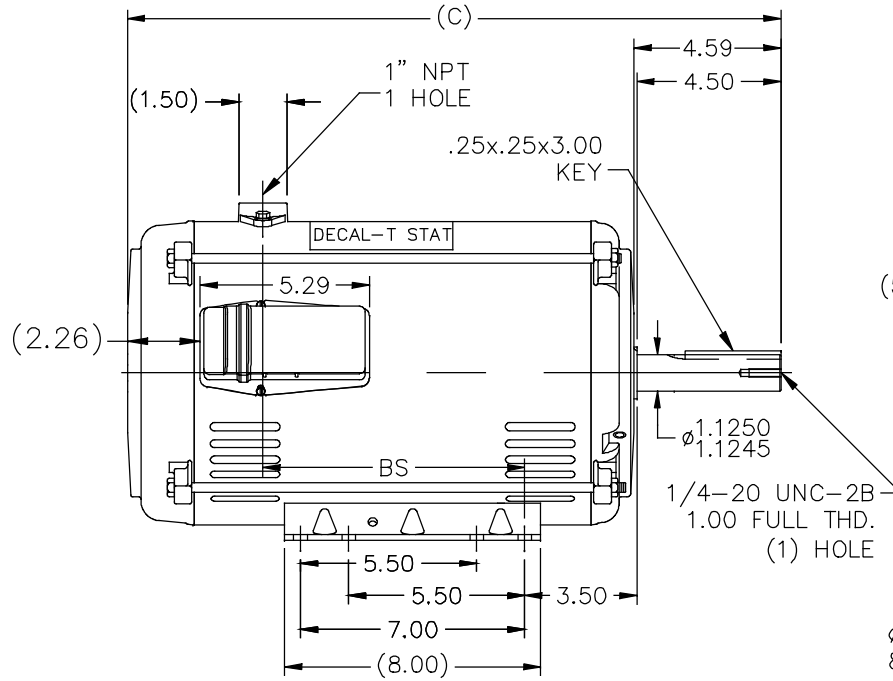



SS87934



| DASH | FR. | C | BS | MOUNTING |
|------|---------|-------|------|----------|
| 1240 | 213/15T | 20.42 | 8.18 | |

NOTES:

1. NAMEPLATE TO BE READ FROM 'A' SIDE OF MOTOR.
2. SEE MODEL FOR LEAD LENGTH.

| | | | | | | | | | |
|--|---|----------------|------|--------------------------------|---|----------------------|---------------------|-----------|--------|
| 8 | UPDATED DECAL LOCATION | MVG 06/30/17 | SR | TOLERANCES UNLESS SPECIFIED |  Regal Beloit America, Inc. | DRAWN MJD 08-24-1999 | | | |
| 7 | DRAWING UPDATED PER ECR-0132121 | MVG 05/08/2017 | DEC. | INCHES | | CHK ML 08-25-1999 | | | |
| 6 | REPLACED ADAPTER PLATE W/LEESON PLATE 07-1734 | MSG 11-14-2008 | MSG | .X | ±.1 | APPD DR 08-25-1999 | | | |
| 5 | UPDATED DRAWING | TJW 04/30/2007 | | .XX | ±.03 | SCALE 1=5 | | | |
| 4 | UPDATED TO CURRENT STANDARDS | RLW 07-22-2003 | | .XXX | ±.005 | REF | | | |
| 3 | N.P. TO BE READ FROM 'A' SIDE CN 27700-866 | MJD 09-27-1999 | | .XXXX | ±.0005 | FMF | | | |
| NO. | REVISION | BY & DATE | CHK | ANG | ±7'30" | PREV | | | |
| THIS DRAWING IN DESIGN AND DETAIL IS OUR PROPERTY AND MUST NOT BE USED EXCEPT IN CONNECTION WITH OUR WORK ALL RIGHTS OF DESIGN AND INVENTION ARE RESERVED THIS IS AN ELECTRONICALLY GENERATED DOCUMENT - DO NOT SCALE THIS PRINT | | | | RFP | CAD FILE ss87934 | SIZE A | DRAWING NO. SS87934 | PAGE OF 8 | REV. 8 |
| | | | | DIST LB | | | | | |