

Product Information Packet

November 9, 2016

Data shown is for the current revision model #. Ensure your nameplate model # matches.

Model Number:	5KS213XAE6722A
Catalog Number:	V782
Instruction Manual:	GEK-95351
Connection Diagram:	GEM2034E-FIG7
Outline Drawing:	4002B5821PPP5341

Accessory Connection Diagrams			
Bearing Thermocouple:	None	Heater:	None
RTD:	None	Thermistor:	None
Thermostat:	None	Winding Thermocouple:	None
Bearing RTD:	None		

Table of Contents

Specification	01
Performance Characteristics	02
Outline Drawing	03
Connection Drawing(s)	04
Spare parts	05



Marks:

MODEL NUMBER:	5KS213XAE6722A	Estimated Weight:	200 Lbs
Outline Drawing:	4002B5821PPP5341	Time Rating:	CONT
Connection Diagram:	GEM2034E-FIG7	Enclosure:	TEFC
Instruction Book:	GEK-95351	Encl Construction:	841
Design Code:	21BD1152A	Ambient Max(°C):	40
Type:	KS	Alt Ambient Max(°C):	--
Frame:	L213LP10	Insulation Class:	H
Phases:	3	NEMA Design:	B
Poles:	4	Nominal Efficiency:	91.7 %
Output Power:	7.5HP 5.6KW	Guaranteed Efficiency:	90.2
RPM:	1770	3/4 Load Efficiency:	92.2
Voltage:	460	KVA Code:	H
Hertz:	60	Max KVAR:	2.3
Amps - FL:	9.2	Power Factor:	83.5
Service Factor:	1.15	Bearing - DE:	5210
Alt Service Factor:	--	Bearing - ODE:	6208-2ZC3

Enclosure is Totally Enclosed Fan-Cooled

Stamped Nameplate Notes:

VERTICAL-841
 PREMIUM EFFICIENT MOTOR
 DE BRG 5210 ODE BRG 40BC02JP3
 INLINE MOTOR
 EXCEPTION TO IEEE-STD-841-2009:THRUST BRG ON DE
 INVERTER DUTY PER NEMA MG1 PART 31
 ALTERNATE RATING FOR PWM CONTROL:
 1.0 SF VAR TORQUE RANGE 0-60 HZ
 MAX EXPOSED INTERNAL AND EXTERNAL SURFACE
 TEMPERATURES UNDER USUAL SERVICE CONDITIONS
 AT 1.00 S.F. DO NOT EXCEED 200 DEG C
 STAMP NP249A5499AP AS BELOW:
 MODEL:5KS213XAE6722A S/N: XXX
 EX NA IIC T3 GC CSA.09.2216219
 CLASS I, ZONE 2, AEX NA IIC T3
 CLASS I, DIV 2, GROUPS A, B, C, D T3
 -25C <= TAMB <= 40C

Additional Information:

4P - LP EXTN
 C/BOX 55 CU IN-1.00 NPT
 PAINTED FRAME ID & SHAFT,
 FAN COVER INSIDE & ODE E/S OUTSIDE
 ROUTINE AND 5 POINT VIBRATION TESTS INCL IN C/BOX
 INPRO SEAL BOTH ENDS
 E/SHLD GROUND STUD MTD ON DE C/BOX SIDE
 SHAFT RUNOUT LIMIT .001" TIR

RCF 5000 CPM, STATIC DEFLECTION .0014 INCHES &
CENTER OF GRAVITY 8.59 INCHES
SOLID SHAFT INLINE
COPPER WASHER UNDER HEADS OF BEARING CAP BOLTS
APPLY TITE-SEAL (A50CD427A) ON BEARING CAP SCREWS, RABBETS,
AND PLUG THREADS
OIL RESISTANT SLEEVING ON LEADS
BEARING LIFE 26280 HOURS AT 1421 LB THRUST
UTD REPLACEMENT FOR 5KS213XAE6722

Performance Characteristics

1st Winding 1st Connection

Design: 21BD1152A

Marks:

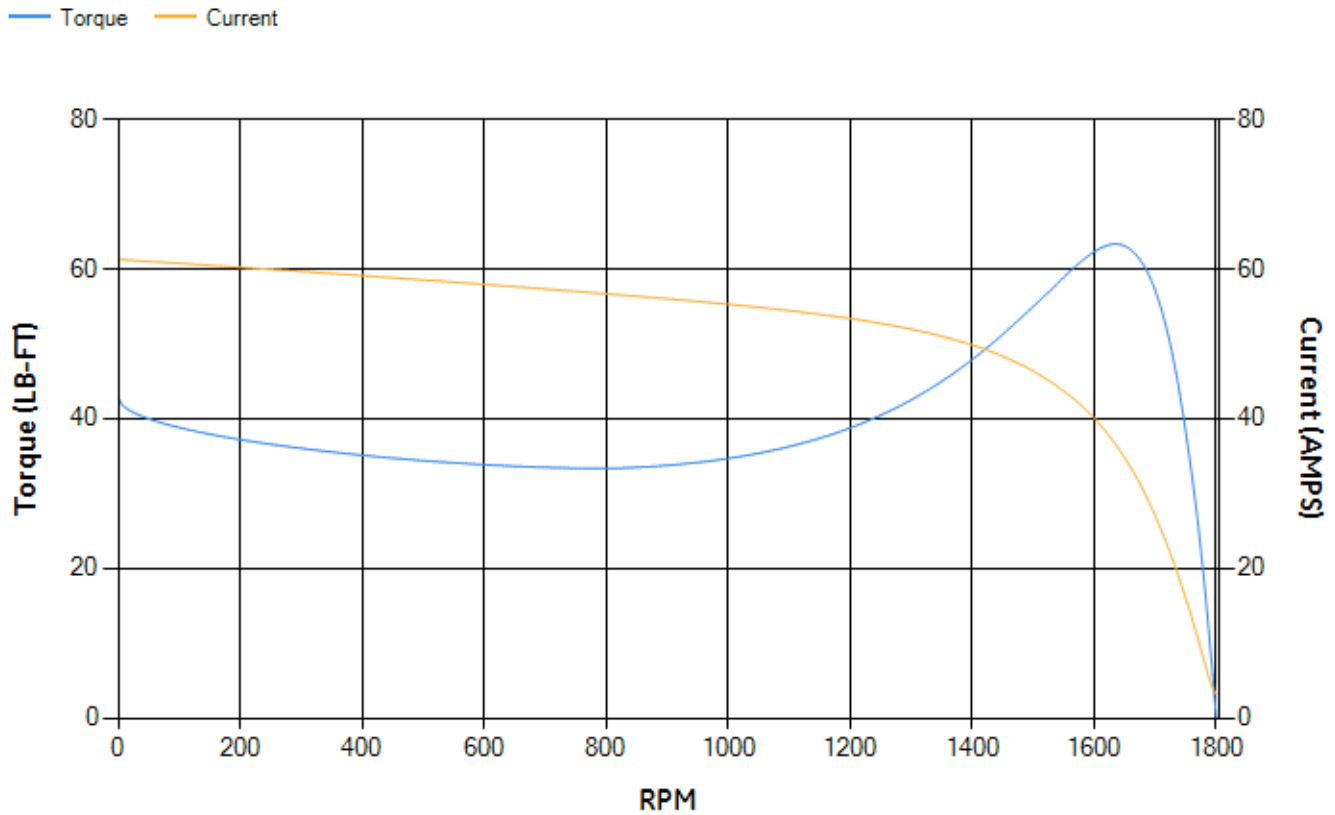
LOAD %	125.0	115.0	100.0	75.0	50.0	25.0	0.0
% EFF	90.56	91.05	91.84	92.16	91.69	87.87	0.00
% PF	84.61	84.44	83.67	80.32	71.89	50.99	6.51
AMPS	11.45	10.5	9.14	7.11	5.33	3.92	3.21

TORQ(FL)#FT	22.25	TORQ(LR)%FL	192.51	TORQ(BD)%FL	282.9
AMPS(LR)	61.27	PF AT START	0.4		

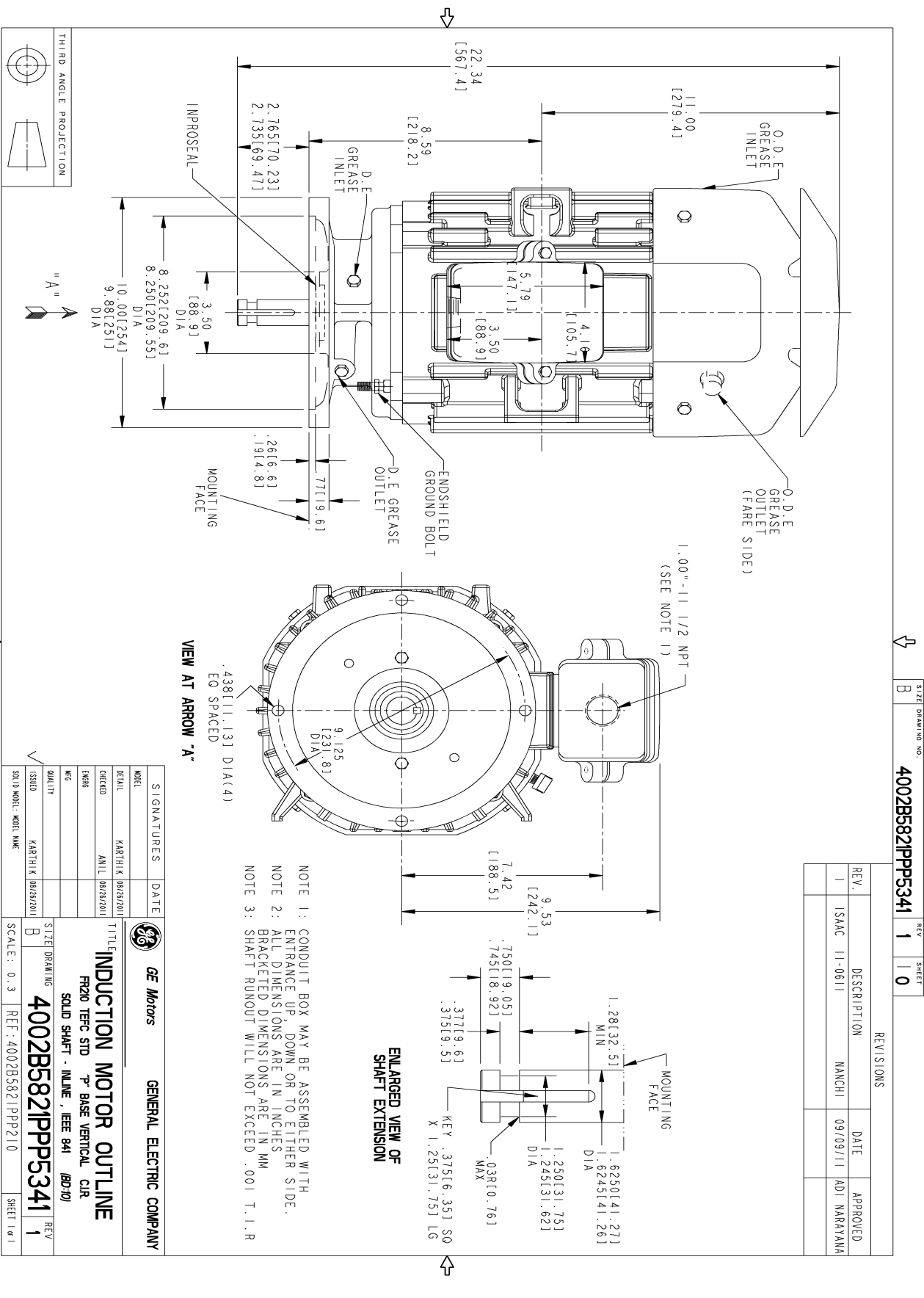
This motor is capable of two cold or one hot start with a maximum connected load inertia of 306 Lb-Ft Sq (12.88 Kg-meter Sq) at 100% voltage, where the load torque varies with the square of the speed. Acceleration time with maximum inertia and the above load type is 54 seconds. Safe stall time at 100% voltage is 120 seconds cold, 89 seconds hot. Rotor inertia is 1 Lb-Ft Sq (0.04 Kg-meter Sq).

Open Circuit A-C:	0.449	Short Circuit D-C:	0.013
Short Circuit A-C:	0.021	X/R Ratio:	4.935
Stator Slots:	36	Rotor Slots:	28

Speed Torque Current Curve (First Connection, First Speed)

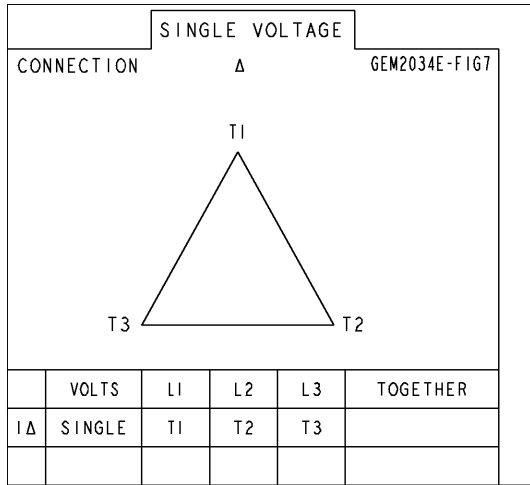


Marks:



Marks:

Connection Diagram
GEM2034E-FIG7



End shield Assembly		
Part Description	DE Side Part#	ODE Side Part#
End Shield	128D6027PP1	4004D5282SL1
Bearing		
Slinger/Inproseal		

Fan & Fan Cover Assembly	
Part Description	Part#
Fan	159C6700G01
Fan Cover	

Conduit & Accessories Box Assembly	
Part Description	Part#
Conduit Box	4002B5721PA-G01

Mechanical Accessories	
Part Description	Part#
Brake	
Tachometer	