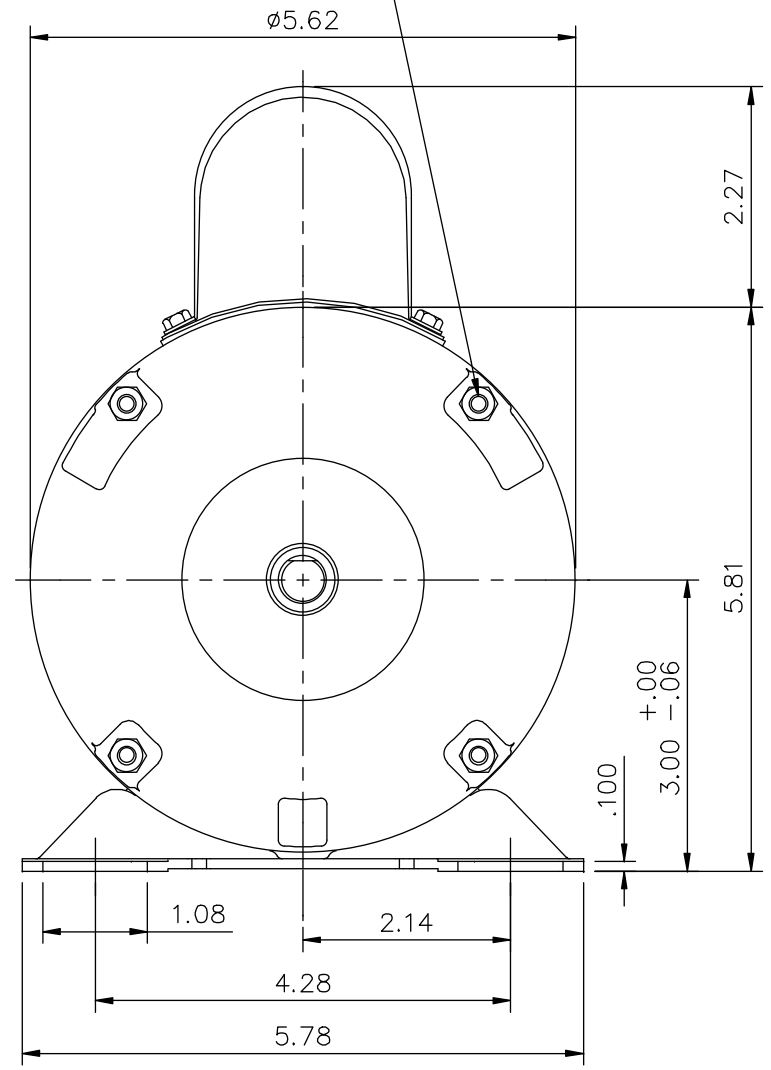
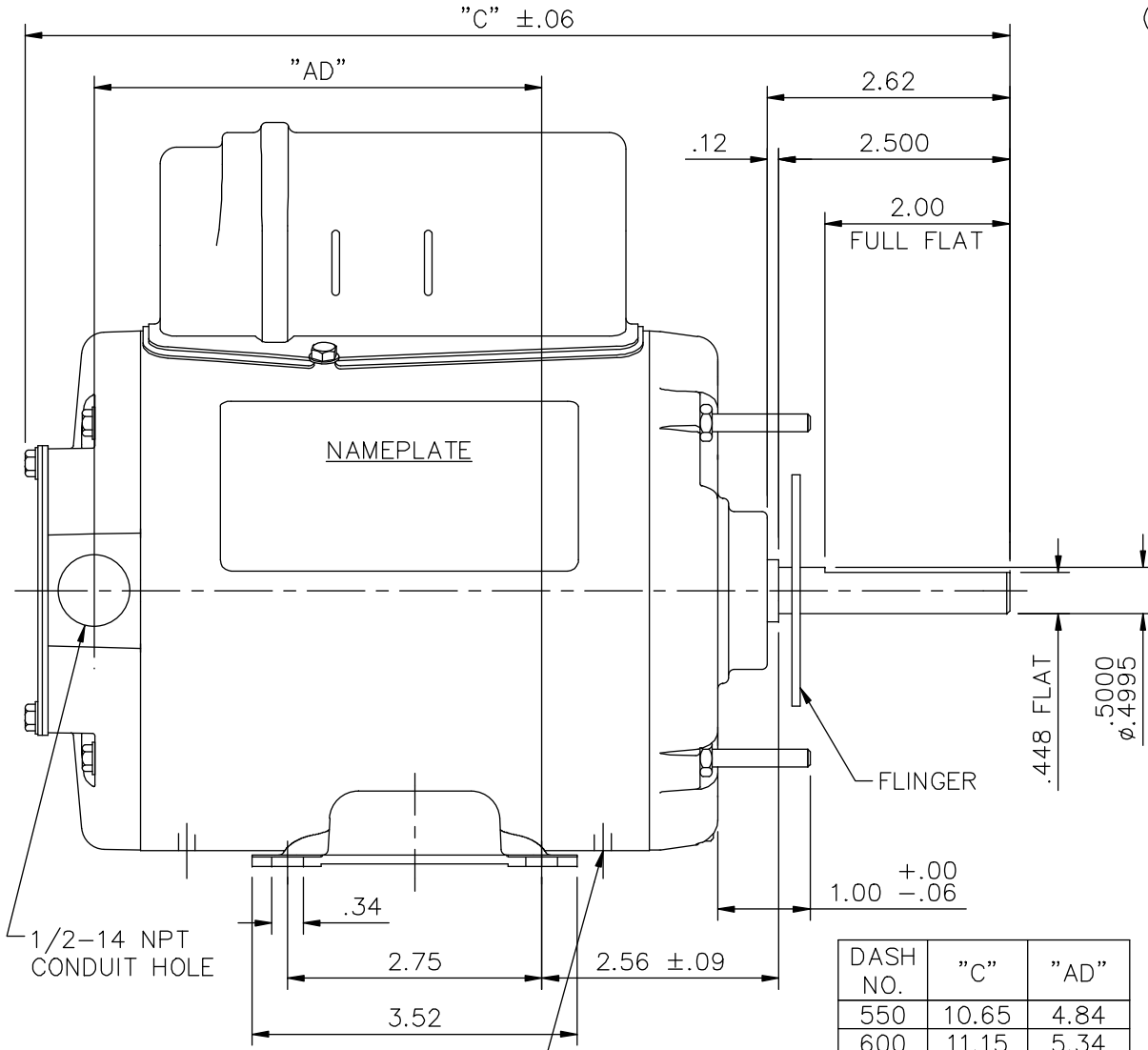


031707


10-32 UNF 2A THRU BOLTS
(4) REQ'D. ON A Ø5.125 B.C.



(2) PLUGGED DRAIN HOLES

DASH NO.	"C"	"AD"
550	10.65	4.84
600	11.15	5.34
625	11.40	5.59
650	11.65	5.84
700	12.15	6.34

GASKETS THROUGHOUT

				TOLERANCES UNLESS SPECIFIED		 ELECTRIC MOTORS GEARMOTORS AND DRIVES	DRAWN PG 7/24/02		
				DEC.	INCHES		CHK		
				.X	±.1		APPD		
				.XX	±.03		SCALE 1=2		
				.XXX	±.005		REF 030986		
				.XXXX	±.0005	MAT'L.	FMF 100700.00		
NO.	REVISION	BY & DATE	CHK	ANG	±1/2'	FINISH	PREV		
THIS DRAWING IN DESIGN AND DETAIL IS OUR PROPERTY AND MUST NOT BE USED EXCEPT IN CONNECTION WITH OUR WORK ALL RIGHTS OF DESIGN AND INVENTION ARE RESERVED THIS IS AN ELECTRONICALLY GENERATED DOCUMENT - DO NOT SCALE THIS PRINT			RFP			CAD FILE 031707	SIZE A	DRAWING NO. 031707	REV.
			DIST						