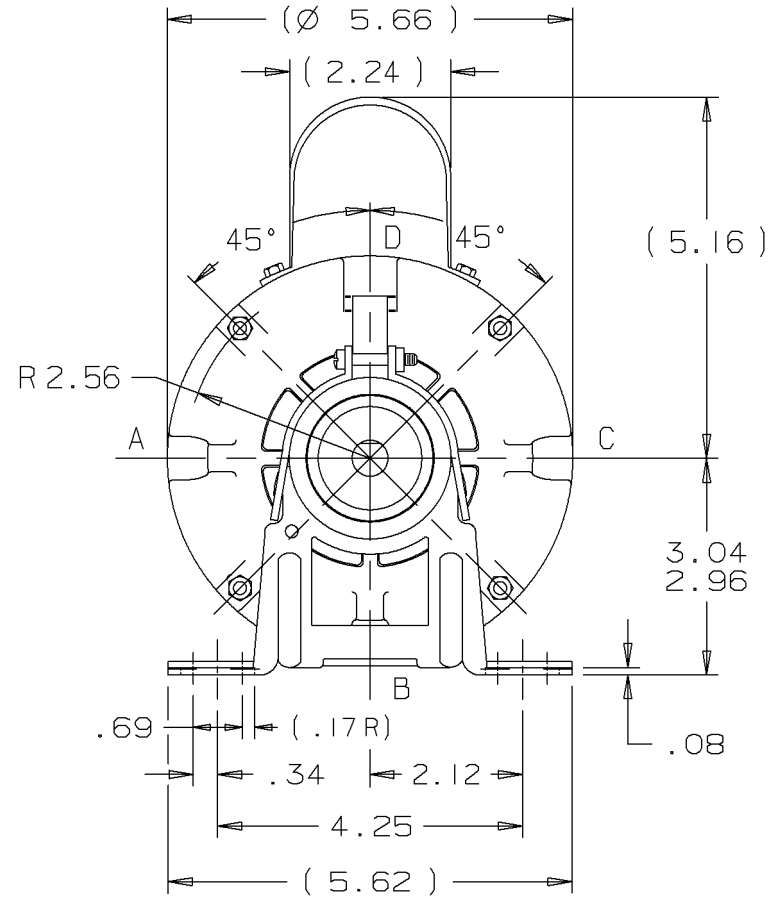
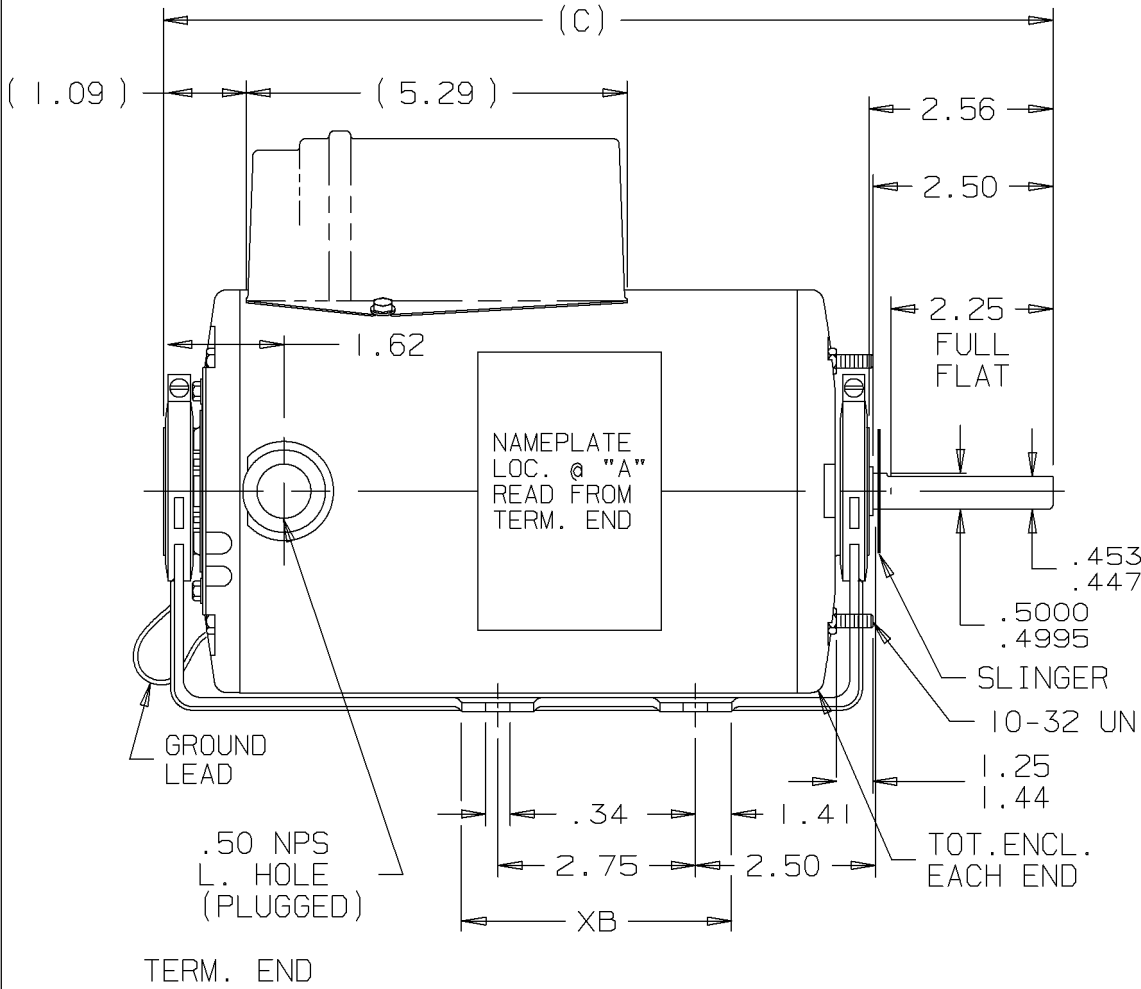


A-SS75578LN



DASH	FR	XB	C	DASH	FR	XB	C
650	48	6.69	11.06	725	48	7.44	11.81
675	48	6.94	11.31				
700	48	7.19	11.56				

REV	DATE	CHANGE	NAME
I	11-24-1999	NEW DRAWING	TJB

UNLESS OTHERWISE SPECIFIED DIMENSIONS ARE IN INCHES
TOL. ON XX±.02 XXX±.005 XXXX±.0005 ANGLES± 7'30"

MAX. SURFACE ROUGHNESS UNLESS OTHERWISE NOTED

FINISH

MATERIAL

DRAWN BY	TJB	11-23-1999
CHKD BY	ML	11-24-1999
APPD BY	GK	11-24-1999

PART NAME OUTLINE

DRWG NO
A-SS75578LN