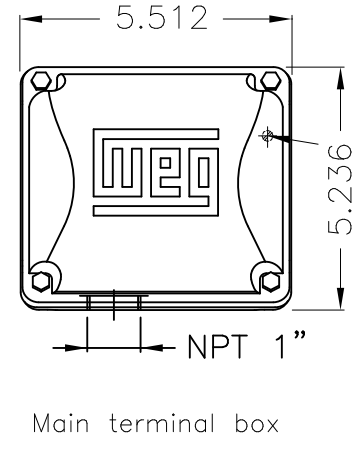
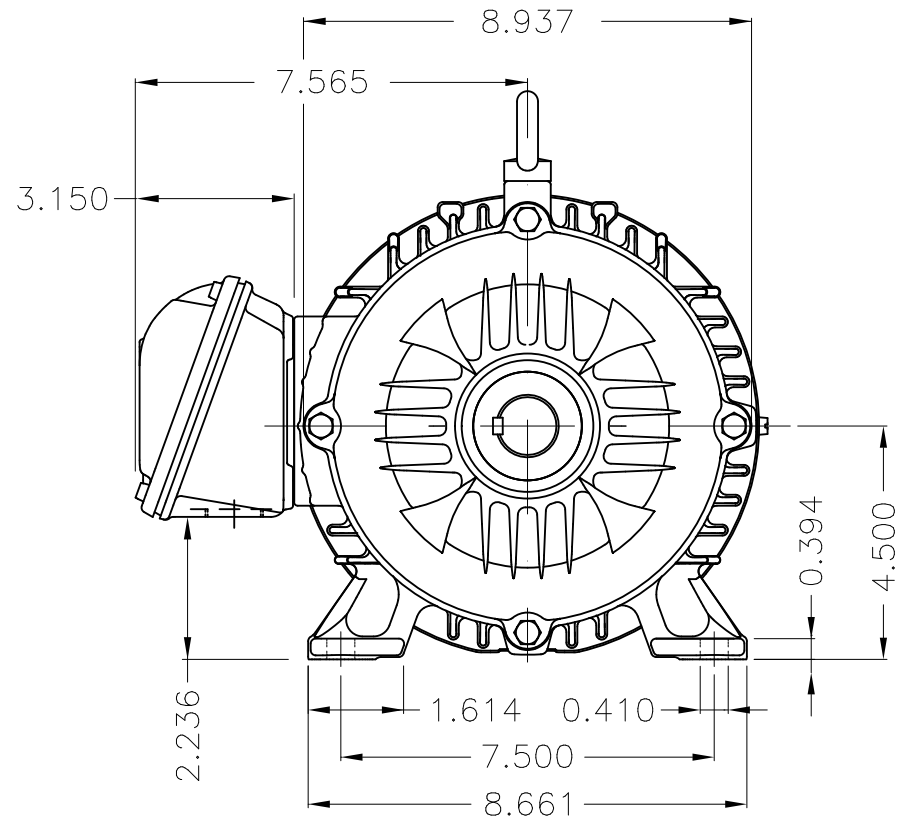
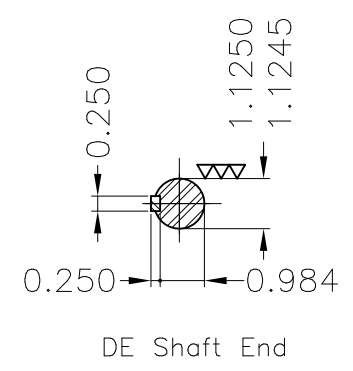
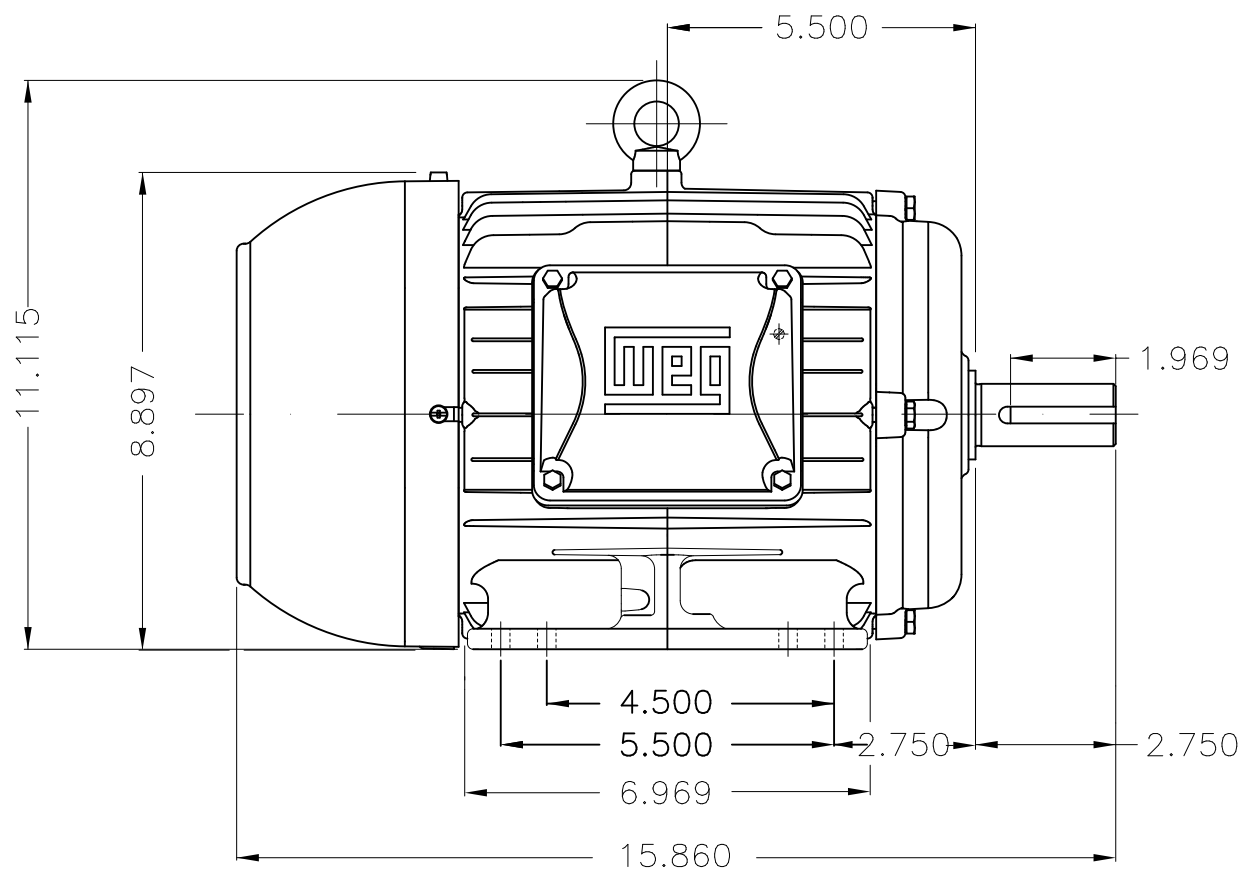


Dimensões em polegada
Dimensions in inches

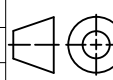
THIS IS AN UPDATED REVISION, THE
PREVIOUS ONE MUST BE DISREGARDED.



Grounding for leads 2-10 mm² / 14-7 AWG



Color RAL 5009
Painting plan 207A
Mounting B3R(D)

| ECM | LOC | SUMMARY OF MODIFICATIONS | | | EXECUTED | CHECKED | RELEASED | DATE | VER |
|----------|------------|--|----------------|---------------------|----------|---------|----------|------|-----|
| EXECUTED | USERADMIN |  THREE PHASE W22 MOTOR - NEMA PREMIUM EFF FRAME 182/4T IP55 TEFC WEG code: 12378662 | | | | | | | |
| CHECKED | | | | | | | | | |
| RELEASED | | | | | | | | | |
| REL DT | 24.07.2017 | WMO | Jaragua do Sul | Product Engineering | SHEET | 1 / 1 | | | |

3 HP 02 Poles 60Hz

A

