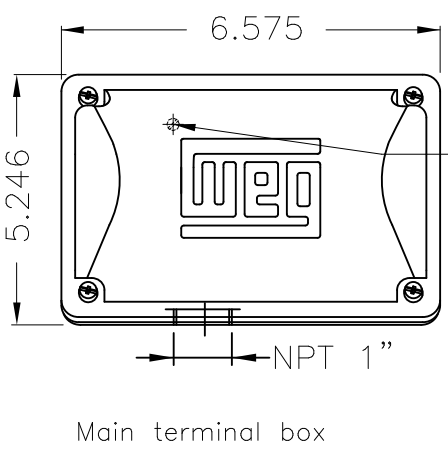
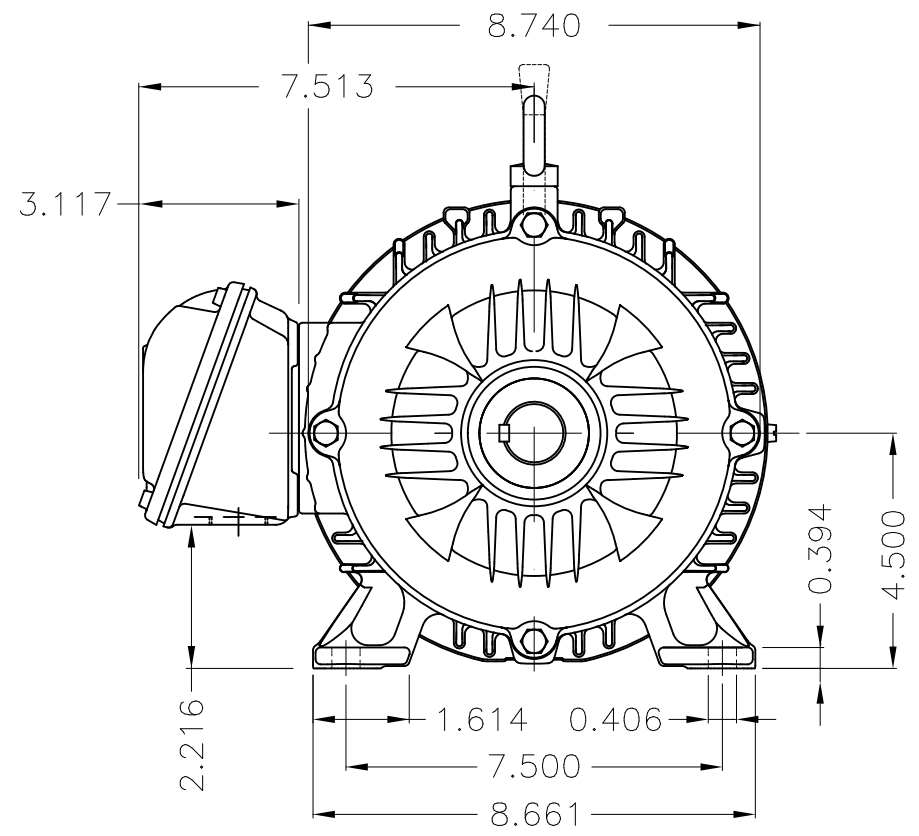


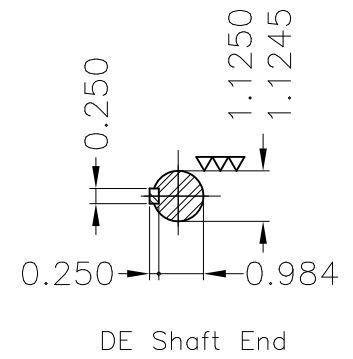
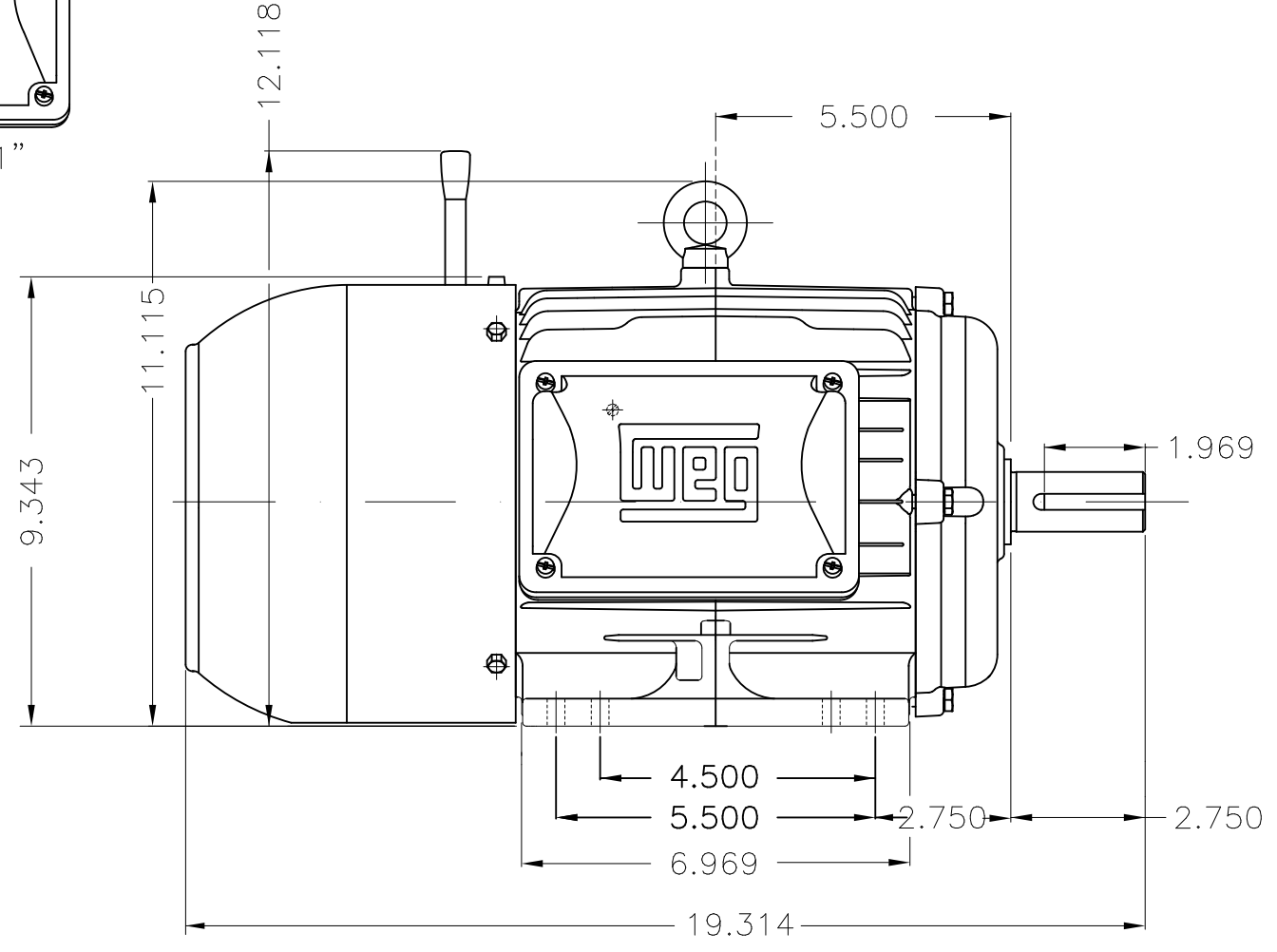
Dimensões em polegada
Dimensions in inches

THIS IS AN UPDATED REVISION, THE
PREVIOUS ONE MUST BE DISREGARDED.

A
B
C
D
E



—Grounding for leads 2–10 mm² / 14–7 AWG



Color RAL 5009									
Painting plan 207A									
Mounting B3R(D)									
ECM	LOC	SUMMARY OF MODIFICATIONS			EXECUTED	CHECKED	RELEASED	DATE	VER
EXECUTED	USERADMIN		W22 THREE PHASE BRAKE MOTOR - NEMA PREMIUM EFF						
CHECKED			FRAME 182/4T IP55 TEFC						
RELEASED			WEG code: 13394593						
REL DT	24.07.2017	WMO	Jaraguá do Sul	Product Engineering	SHEET	1 / 1			

5 HP 04 Poles 60Hz

A

