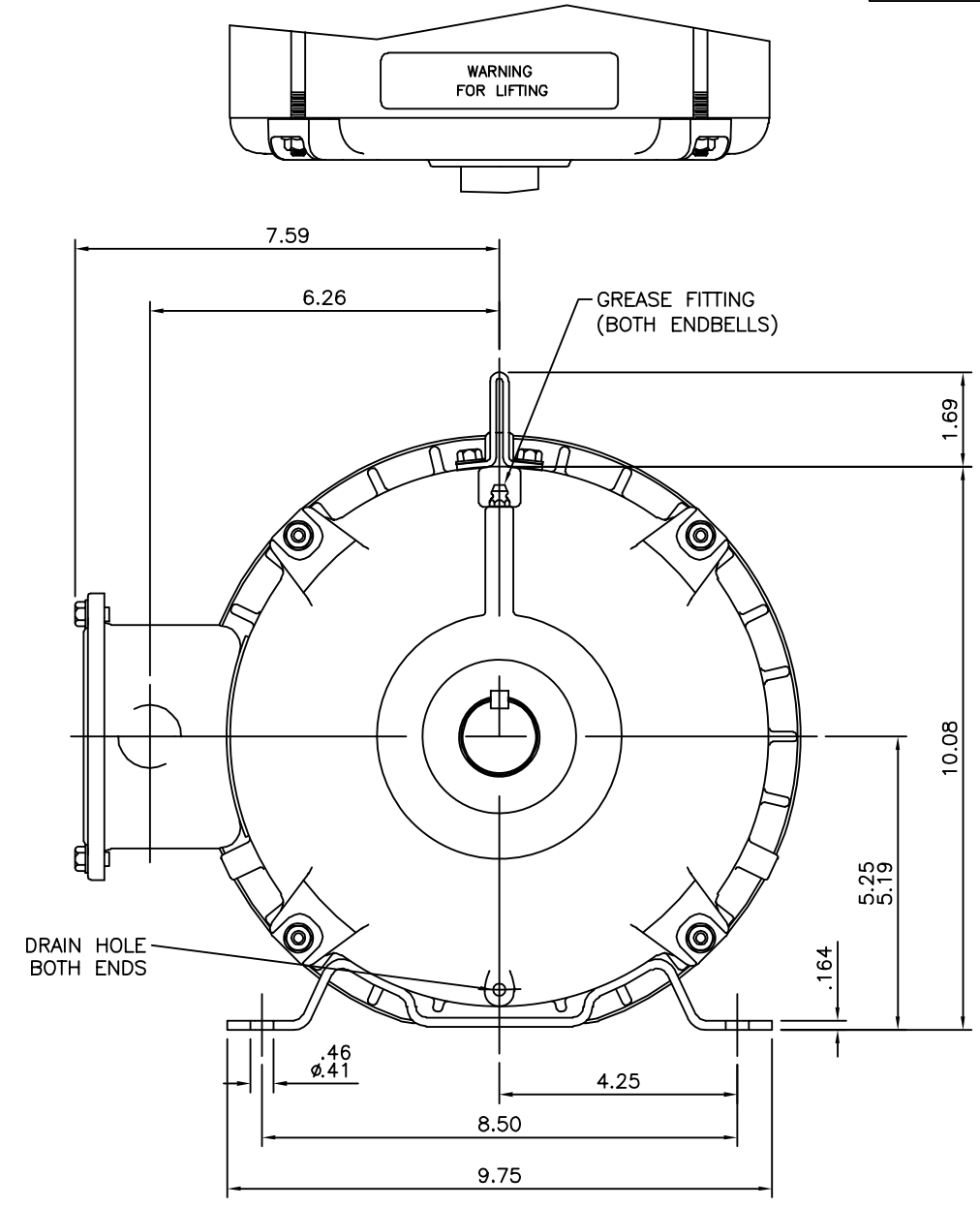
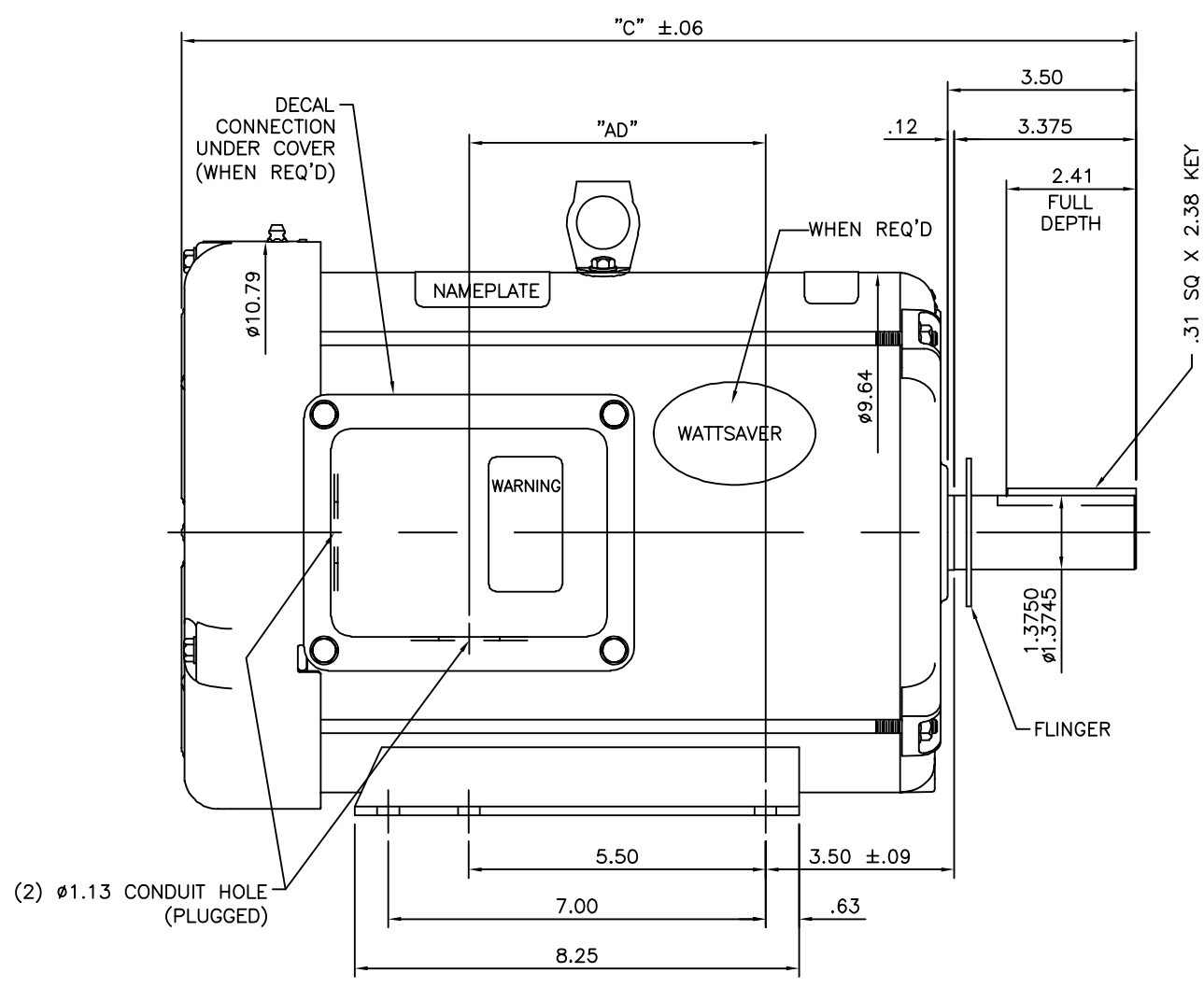


037626



(2) Ø1.13 CONDUIT HOLE (PLUGGED)

GASKETS THROUGHOUT

DASH NO.	"C"	"AD"
1050	17.20	5.00
1100	17.70	5.50
1150	18.20	6.00
1200	18.70	6.50
1250	19.20	7.00
1300	19.70	7.50

		TOLERANCES UNLESS SPECIFIED		LEESON ELECTRIC MOTORS GEARMOTORS AND DRIVES		DRAWN RDW 6/15/05	
		DEC.	INCHES	TITLE		CHK	
		.X	±.1	OUTLINE - 210T FRAME		APPD SW 6/15/05	
		.XX	±.03	TEFC - RIGID		SCALE 3=8	
		.XXX	±.005	MAT'L.		REF	
01	WHEN REQ'D NOTE ADDED	PVR	SR	.XXXX	±.0005	FMF	
NO.	REVISION	BY & DATE	CHK	ANG	±1/2'	FINISH	PREV
	THIS DRAWING IN DESIGN AND DETAIL IS OUR PROPERTY AND MUST NOT BE USED EXCEPT IN CONNECTION WITH OUR WORK ALL RIGHTS OF DESIGN AND INVENTION ARE RESERVED THIS IS AN ELECTRONICALLY GENERATED DOCUMENT - DO NOT SCALE THIS PRINT			RFP	6/15/05	CAD FILE 037626	SIZE B
			DIST NLV			DRAWING NO. 037626	REV. 01