

DATE
March 5, 2007
Cat. #: XV0506C

OUTLINE DIMENSIONS

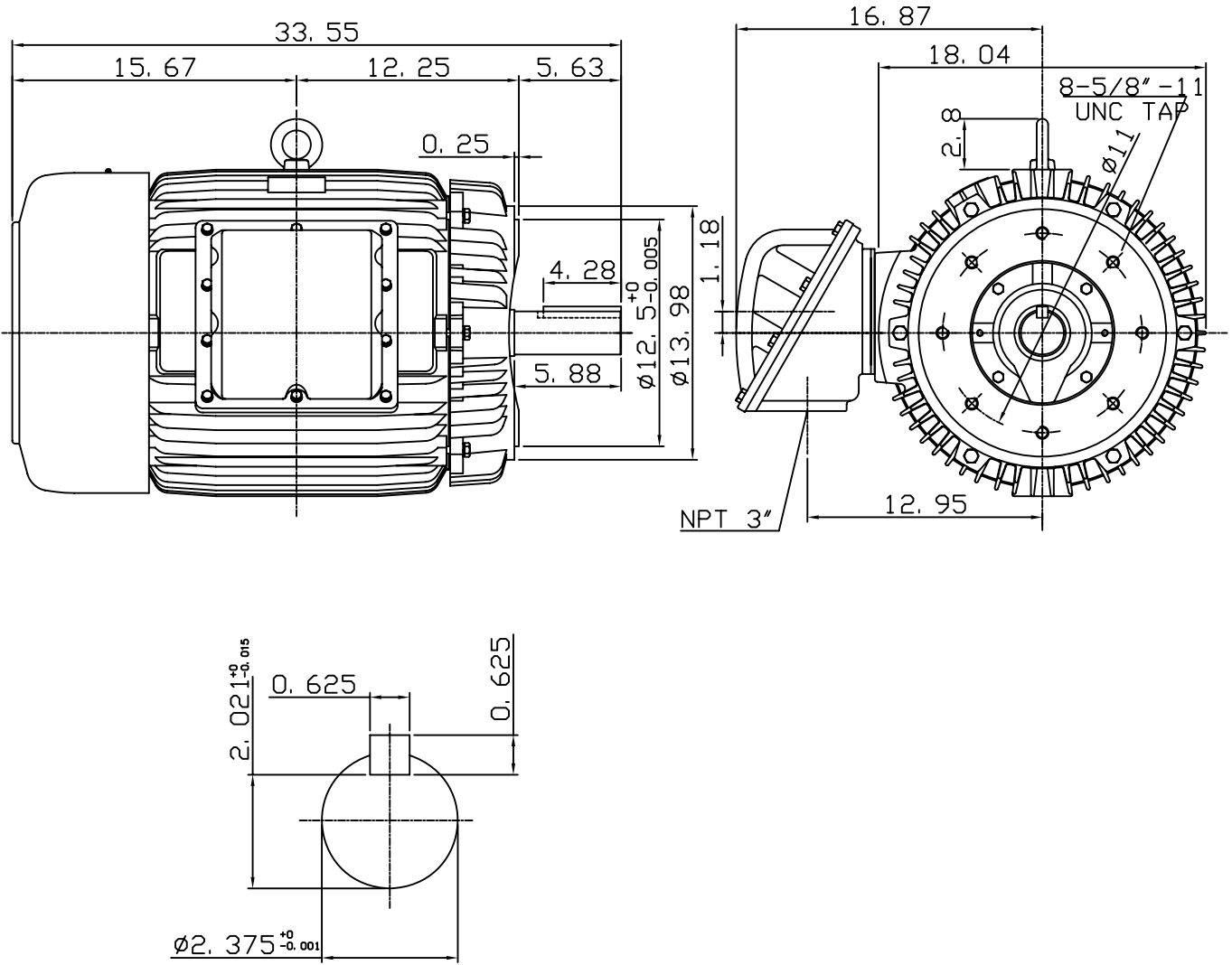
3-PHASE INDUCTION MOTOR

MOTOR TYPE:
AEUHXF
FRAME NO. 365TC

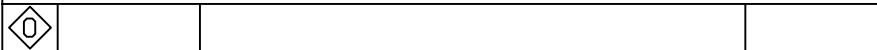
| Pole | HP | kW | Hz | VOLT | Syn. Speed r/min(rpm) |
|------|----|------|----|---------|--------------------------|
| 6 | 50 | 37.3 | 60 | 230/460 | 1200 |

| Ins | Rating | Dimension in | Approx Weight | Bearings | |
|-----|--------|--------------|---------------|----------|-----------|
| F | CONT. | inches | 1019 lbs | DE: 6313 | NDE: 6213 |

Totally Enclosed Fan-Cooled Vertical Type. Squirrel-Cage Rotor.



Note:
1. Suitable for division I,
class I Group D & class II
Group E, F, G, T2D or T3B.



| | | |
|-------|------------|----------|
| DWN. | G. L. GUD | 05-28-03 |
| CHKD. | C. H. KAD | 06-06-03 |
| APPD. | M. C. TSAI | 06-06-03 |

TEC Westinghouse

DWG NO.
31049U566000