

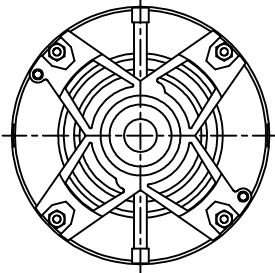
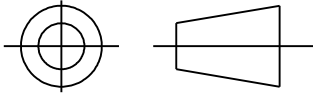
RBC PROPRIETARY AND CONFIDENTIAL INFORMATION

This document is the property of REGAL BELOIT CORPORATION ("RBC") including its subsidiaries and divisions and contains proprietary information of RBC. This document is loaned on the express condition that neither it nor the information contained therein shall be disclosed to others without the express written consent of RBC, and that the information shall be used by the recipient only as approved expressly by RBC. This document shall be returned to RBC upon its request. This document may be subject to certain restrictions under U.S. export control laws and regulations.

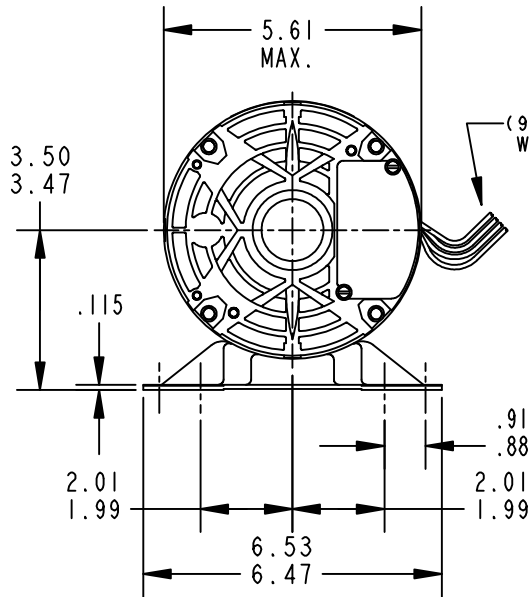
REVISIONS

REV.	DESCRIPTION	DATE	APPROVED
1	UPDATED AS PER ISO5-1826	09/06/05	PRAVEEN.K

THIRD ANGLE PROJECTION

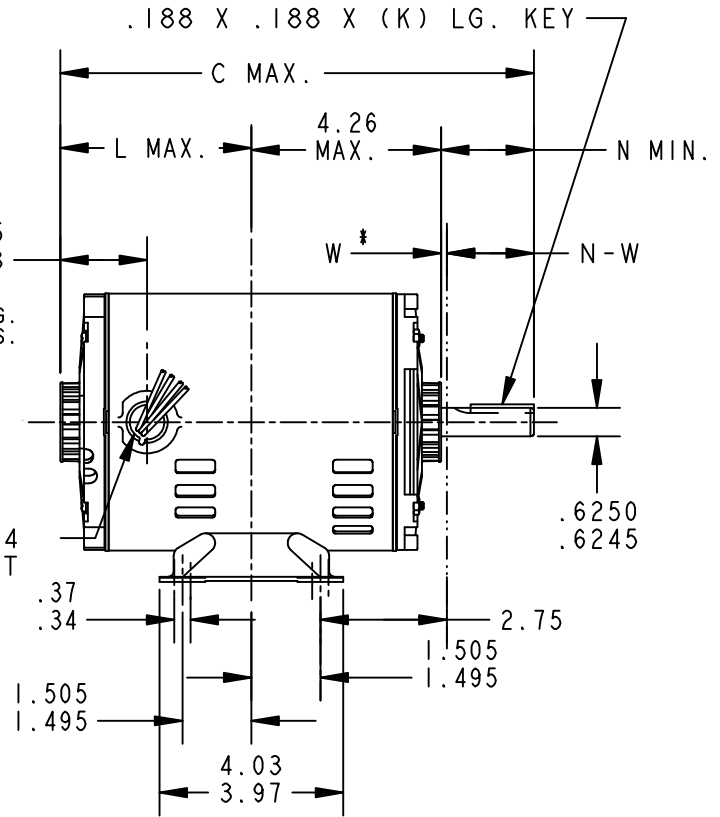


VIEW SHOWING P.E. VENTILATION OPENINGS



(9) LEADS 6" LG. WITH .62 B.W.S.


.500-14 CONDUIT THREAD



W* IS A CLEARANCE DUE TO VARIATION IN PARTS AND ASSEMBLY.

I	K	36	56	10.32	1.38	4.23	1.88	2.01/1.79
P	TYPE	GE SIZE	NEMA FR	C	K	L	N	N-W

FOR ADDITIONAL INFO REFER TO:	SIGNATURES	DATE
APPLIED PRACTICES	MODEL	.
DIMENSIONS ARE IN INCHES	DETAIL	ARUNK 11/23/04
TOLERANCE ON:	CHECKED	.
1 PL DECIMALS ± 0.1	ENGRG	.
2 PL DECIMALS ± 0.02	MFG	.
3 PL DECIMALS ± 0.005	QUALITY	.
ANGLES ± 1.0	ISSUED	ARUNK 11/23/04
FRACTIONS ±		
FINISH		
MATERIAL	SOLID MODEL: 52A111265	



REGAL-BELOIT CORPORATION

TITLE

OUTLINE

FORM N - GENERAL PURPOSE MOTOR

DRIP PROOF - WELDED BASE - BALL BEARING

SIZE	DRAWING	REV
A	52A111265	1

SCALE: 0.003 REF. No: . SHEET 1 of 1

SIZE DRAWING NO. A

REV 1
52A111265

SHEET