

DATE
JULY 6, 2011
CATALOG NO.
XPO104C

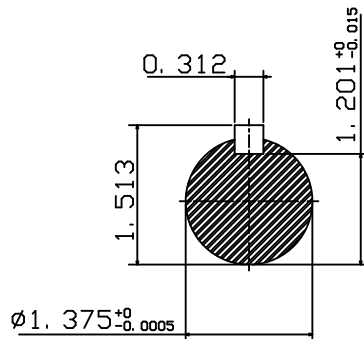
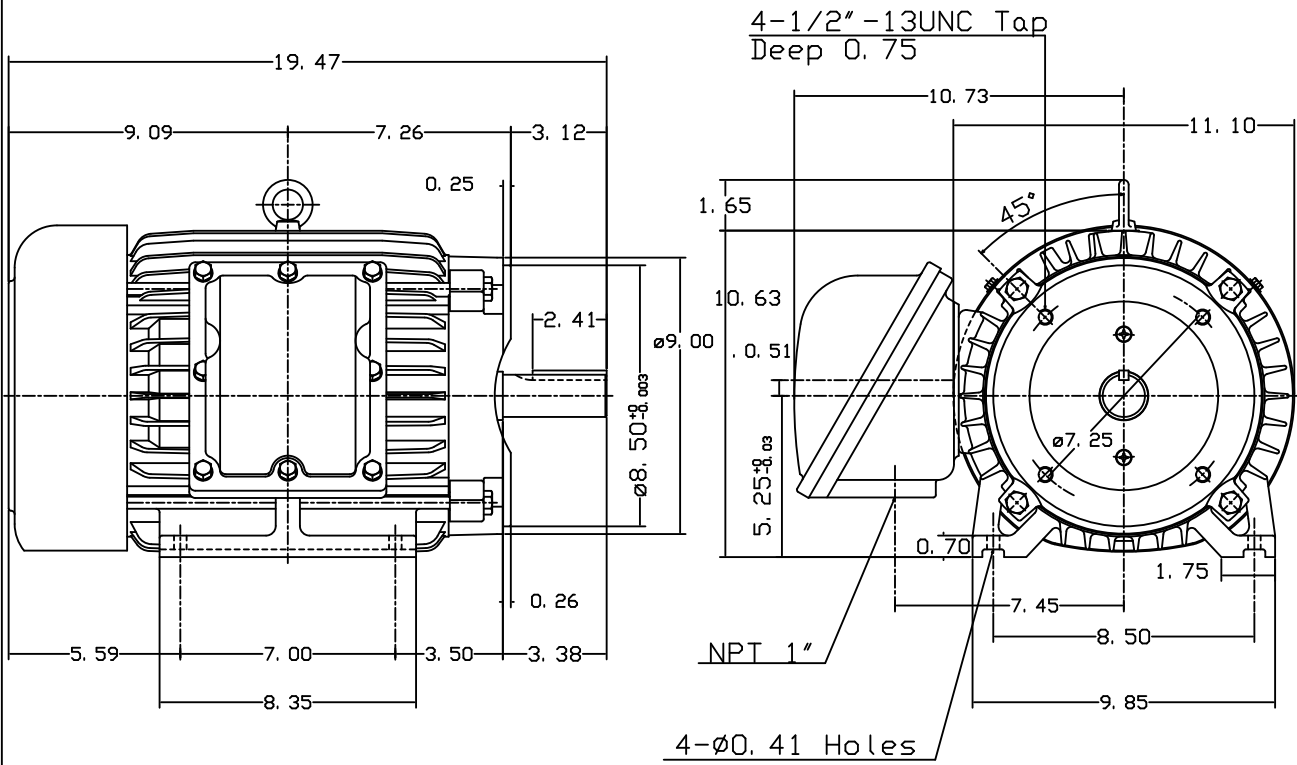
OUTLINE DIMENSIONS
3-PHASE INDUCTION MOTOR

MOTOR TYPE:
AEHHXF
FRAME NO. 215TC

| Pole | HP | KW | Hz | VOLT | Syn. Speed r/min(rpm) |
|------|----|-----|----|---------|--------------------------|
| 4 | 10 | 7.5 | 60 | 230/460 | 1800 |

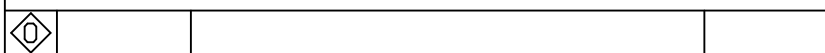
| Ins | Rating | Dimension in | Approx Weight | Bearings |
|-----|--------|--------------|---------------|------------------------|
| F | CONT. | inches | 241 lbs. | DE: 6308ZZ NDE: 6306ZZ |

Totally Enclosed Fan-Cooled Type. Squirrel-Cage Rotor.



Note:

1. Explosion proof:
Class I Group C, D and
Class II Group E, F, G.



| | | |
|-------|-------------|----------|
| DWN. | J. H. LIANG | 11-28-00 |
| CHKD. | C. S. LO | 03-22-01 |
| APPD. | Y. B. HUANG | 03-22-01 |

TECO Westinghouse

DWG NO.
31049M624022