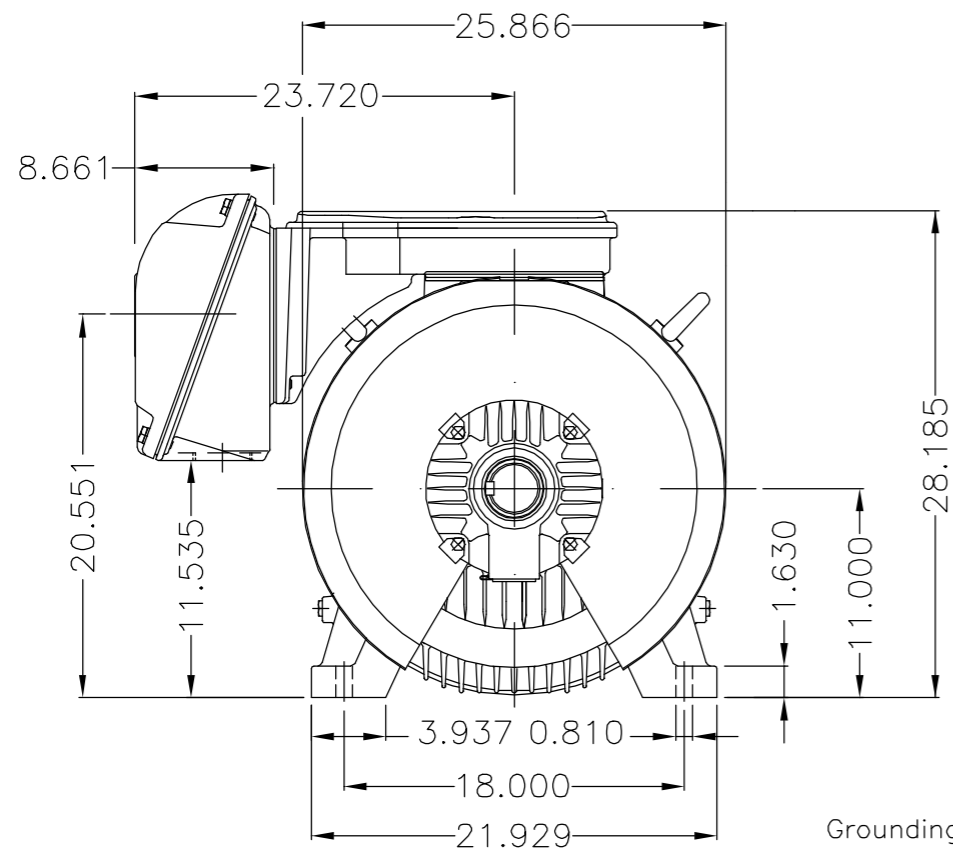


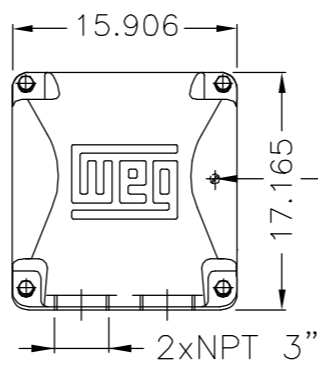
EIXO/SHAFT		Dimensões em polegada Dimensions in inches
PADRÃO/STANDARD	X	
OPCIONAL/OPTIONAL		
ESPECIAL/SPECIAL		

THIS IS AN UPDATED REVISION, THE PREVIOUS ONE MUST BE DISREGARDED.

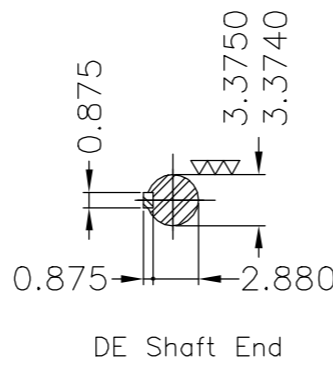
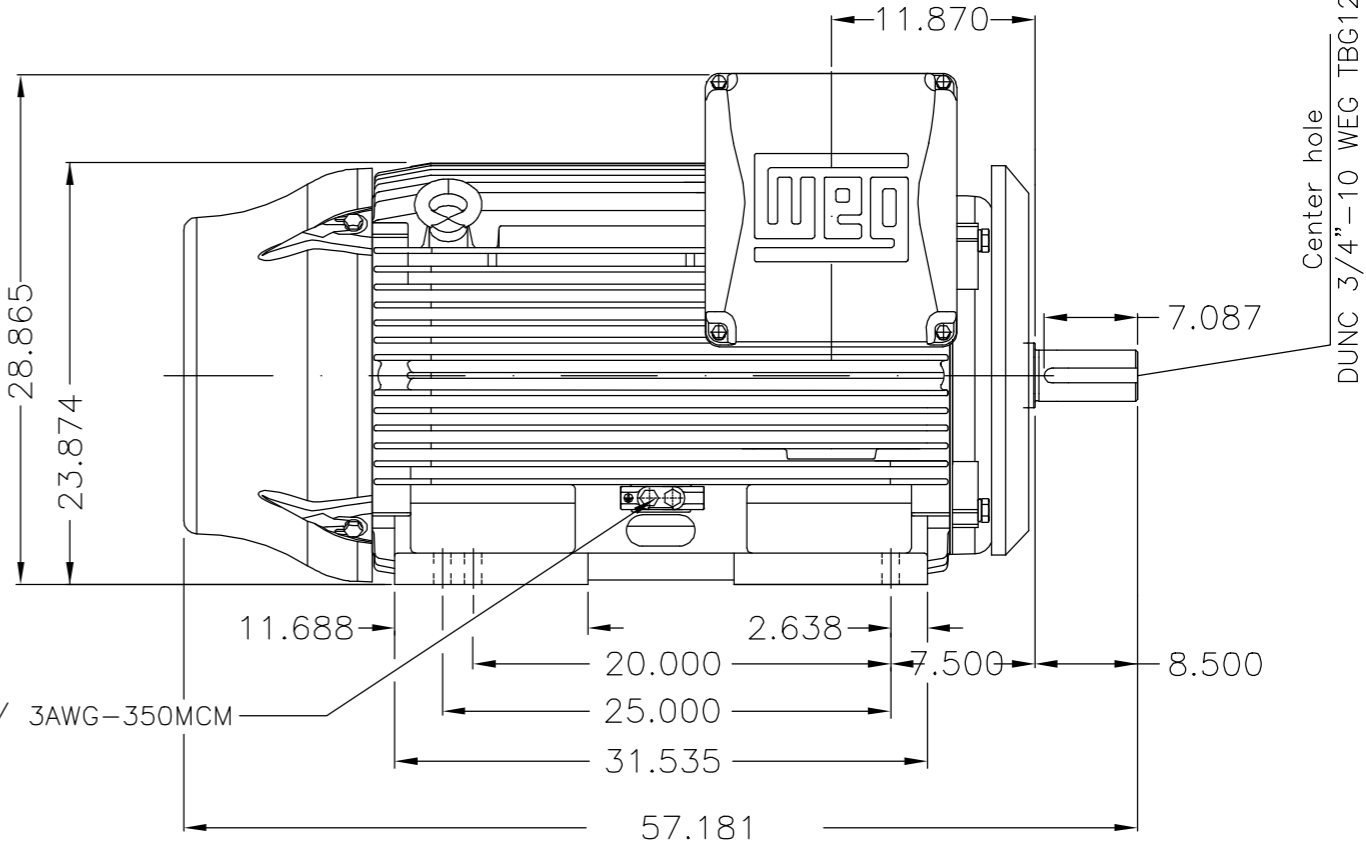
A  
B  
C  
D  
E



Grounding for leads 25-185 mm<sup>2</sup> / 3AWG-350MCM



Main terminal box



DE Shaft End

Linha do motor: Crusher Duty / Motor purpose: Crusher Duty						
Dispositivo de travamento de eixo / Shaft locking device						
Rolamento dianteiro de rolos / DE roller bearing						
Tampa traseira com mancal eletricamente isolado NDE endshield with electrically insulated bearing hub						
Defletor de ar dianteiro / Drive-End Air Deflector						
Cor RAL 5009 / Color RAL 5009						
Plano de pintura 203A / Painting plan 203A						
Forma construtiva NEMA F-1 / Mounting NEMA F-1						
Forma construtiva B3D / Mounting B3R(D)						
<b>WEG EQUIPAMENTOS ELÉTRICOS S/A</b>						

500001311790	DOCUMENTO NOVO	GABRIELID	JMANENTE	23.05.2017	00		
ECM	LOC	SUMMARY OF MODIFICATIONS	EXECUTED	CHECKED	RELEASED	DATE	VER
EXECUTED	GABRIELID	THREE PHASE W22 MOTOR FRAME L447/9T IP55 TEFC	10004946515				
CHECKED			000	00			
RELEASED	JMANENTE						
REL DT	23.05.2017	WMO	Jaragua do Sul	Product Engineering	SHEET	1 / 1	

400 HP 06 Poles 60Hz 414668751

UNCONTROLLED COPY RELEASED ZME A3