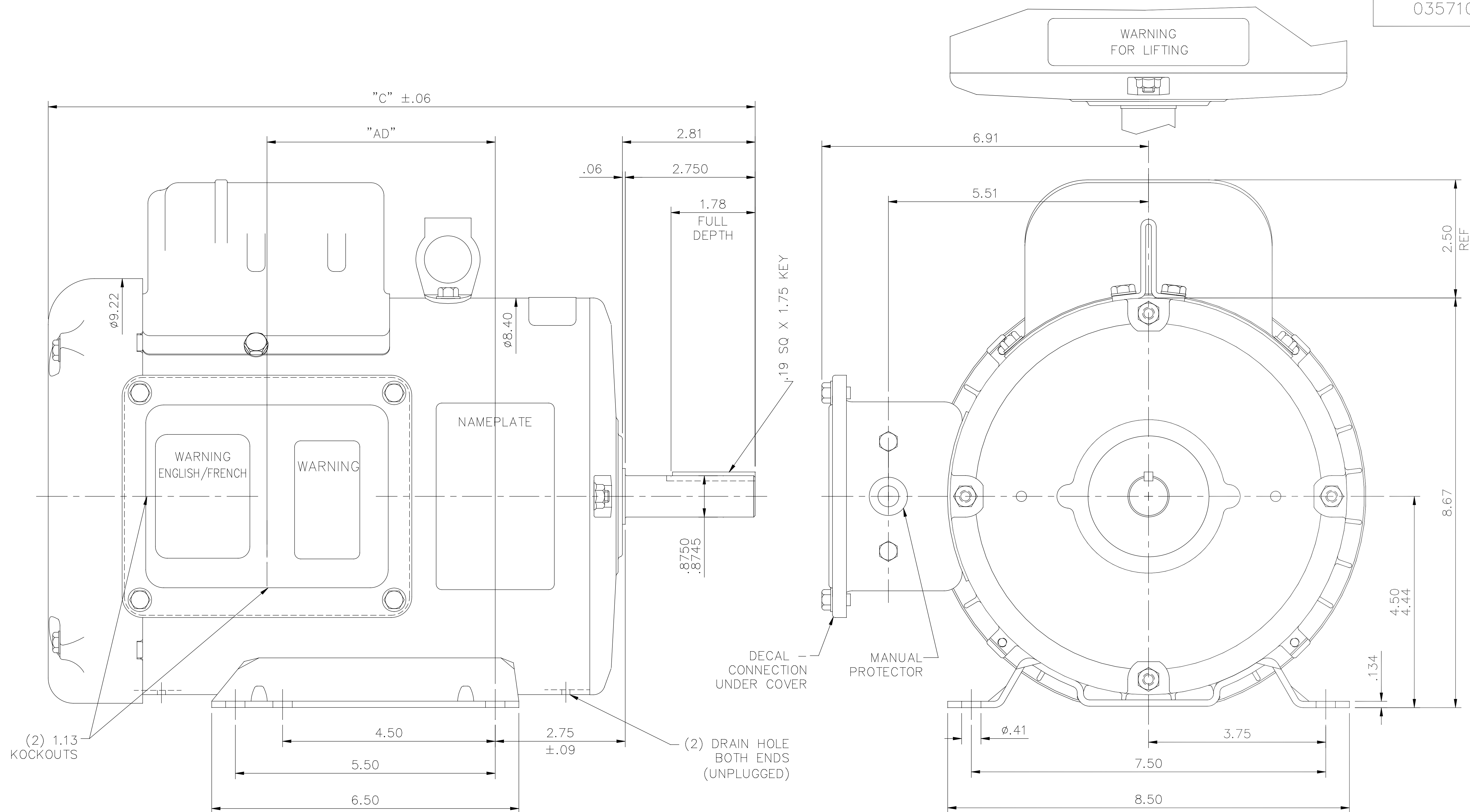


035710



DASH NO.	"C"	"AD"
900	14.46	4.33
950	14.96	4.83
1000	15.46	5.33
1050	15.96	5.83
1100	16.46	6.33
1150	16.96	6.83
1200	17.46	7.33

				TOLERANCES UNLESS SPECIFIED		REGAL™ Regal Beloit America, Inc.	DRAWN VV 12/20/08			
				DEC.	INCHES		CHK			
				.X	±.1		APPD			
				.XX	±.03	TITLE	SCALE 1=2			
				.XXX	±.005	OUTLINE - 180T FRAME	REF 035474			
				.XXXX	±.0005	TEFC - RIGID	FMF 182TCFW9061			
A	DRAIN HOLES ADDED	KIR	02/08/16	SS	.XXXX	MAT'L.	PREV			
NO.	REVISION	BY & DATE	CHK	ANG	±1/2"	FINISH				
THIS DRAWING IN DESIGN AND DETAIL IS OUR PROPERTY AND MUST NOT BE USED EXCEPT IN CONNECTION WITH OUR WORK ALL RIGHTS OF DESIGN AND INVENTION ARE RESERVED THIS IS AN ELECTRONICALLY GENERATED DOCUMENT - DO NOT SCALE THIS PRINT				RFP		CAD FILE	035710	SIZE	DRAWING NO.	REV.
				DIST	NLV			B	035710	A