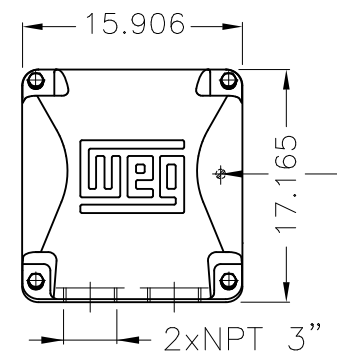
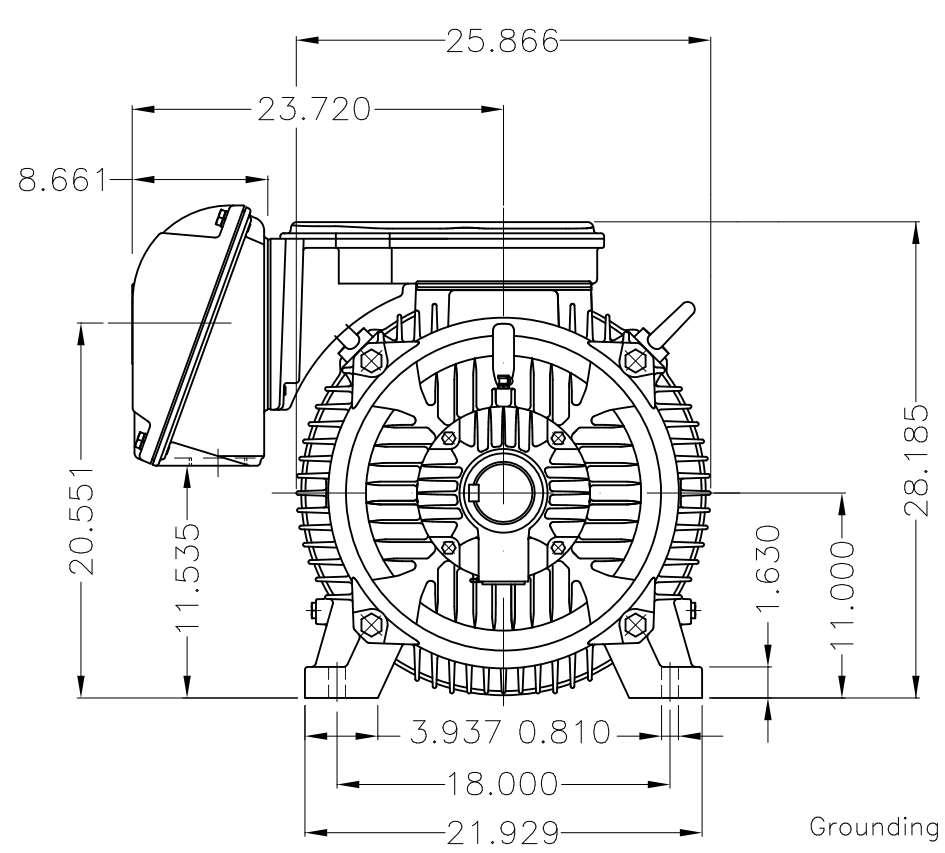


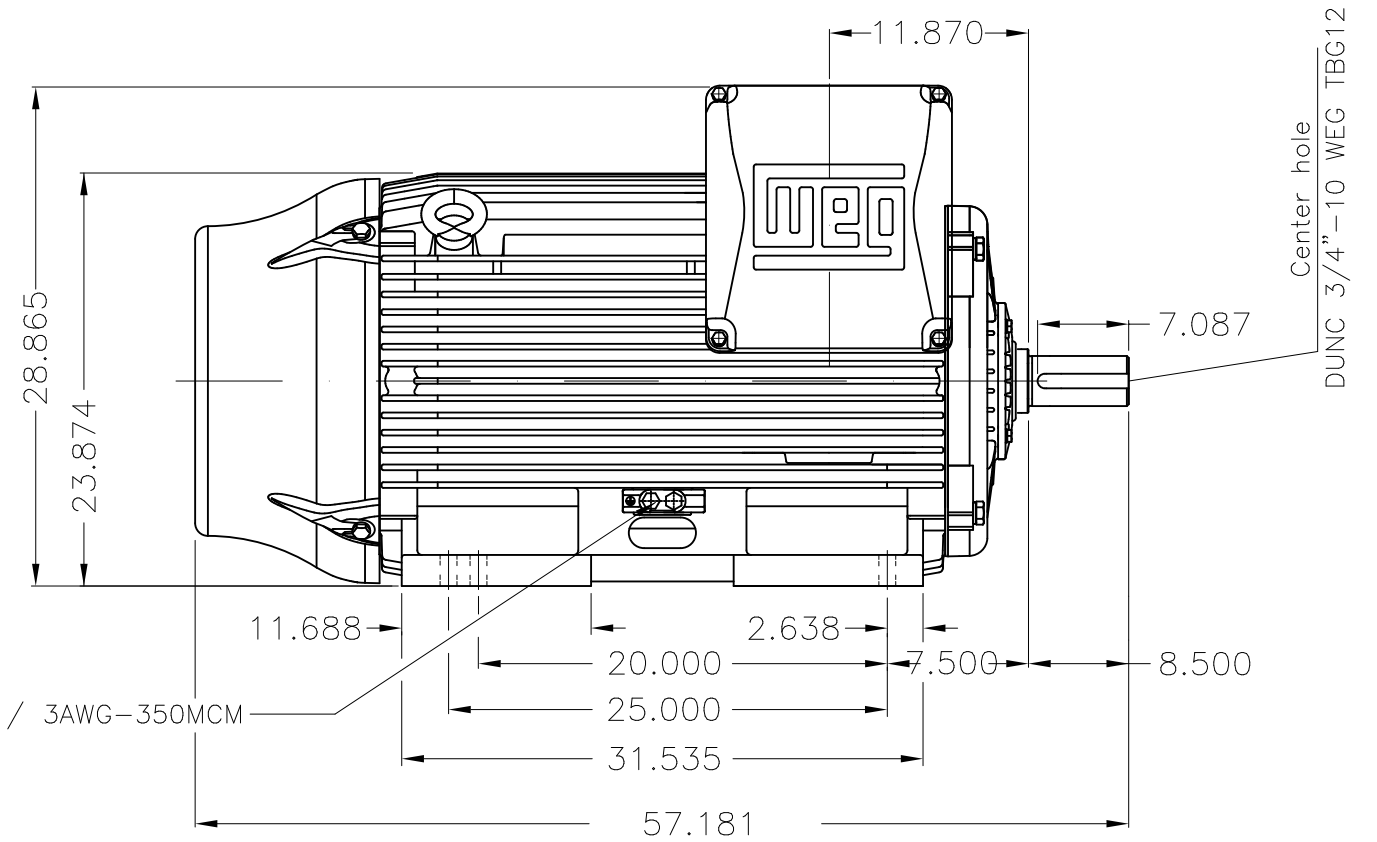
Dimensões em polegada
Dimensions in inches

THIS IS AN UPDATED REVISION, THE
PREVIOUS ONE MUST BE DISREGARDED.



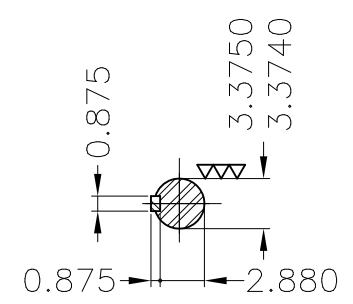
Main terminal box

Grounding for leads 35-70 mm² / 1-2/0 AWG



Grounding for leads 25-185 mm² / 3AWG-350MCM

Center hole
DUNC 3/4"-10 WEG TBG12



DE Shaft End

NDE endshield with electrically insulated bearing hub
Color RAL 5009
Painting plan 203A
Mounting B3R(D)

ECM	LOC	SUMMARY OF MODIFICATIONS			EXECUTED	CHECKED	RELEASED	DATE	VER
EXECUTED	USERADMIN		THREE PHASE W22 MOTOR - NEMA PREMIUM EFF						
CHECKED			FRAME L447/9T IP55 TEFC						
RELEASED			WEG code: 11623898						
REL DT	24.07.2017	WMO	Jaragua do Sul	Product Engineering	SHEET	1 / 1			

400 HP 04 Poles 60Hz