

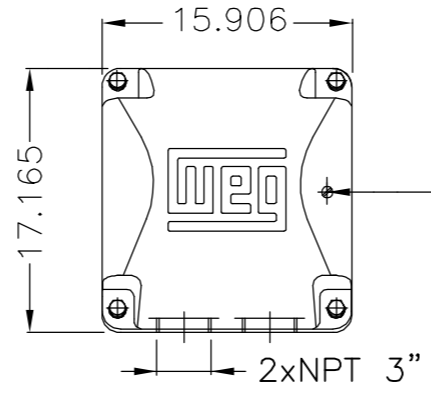
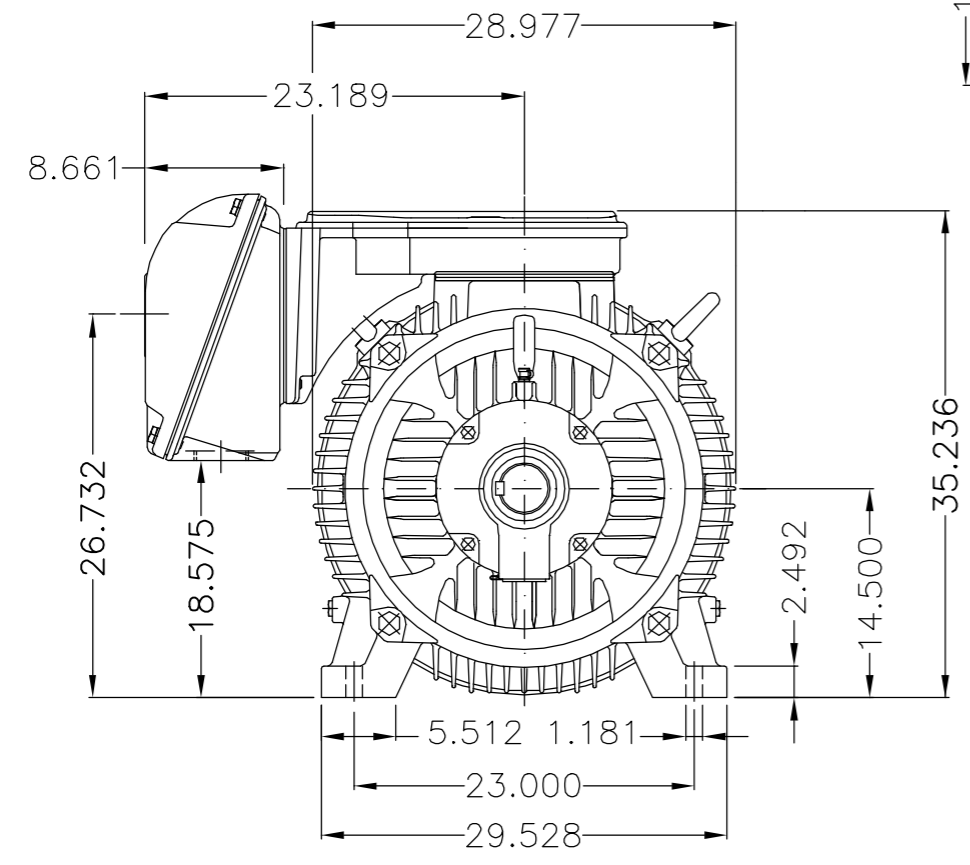
EIXO/SHAFT	
PADRÃO/STANDARD	
OPCIONAL/OPTIONAL	
ESPECIAL/SPECIAL	X

Dimensões em polegada
Dimensions in inches

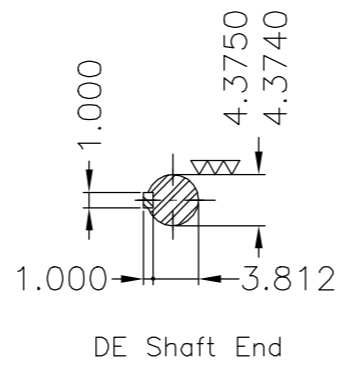
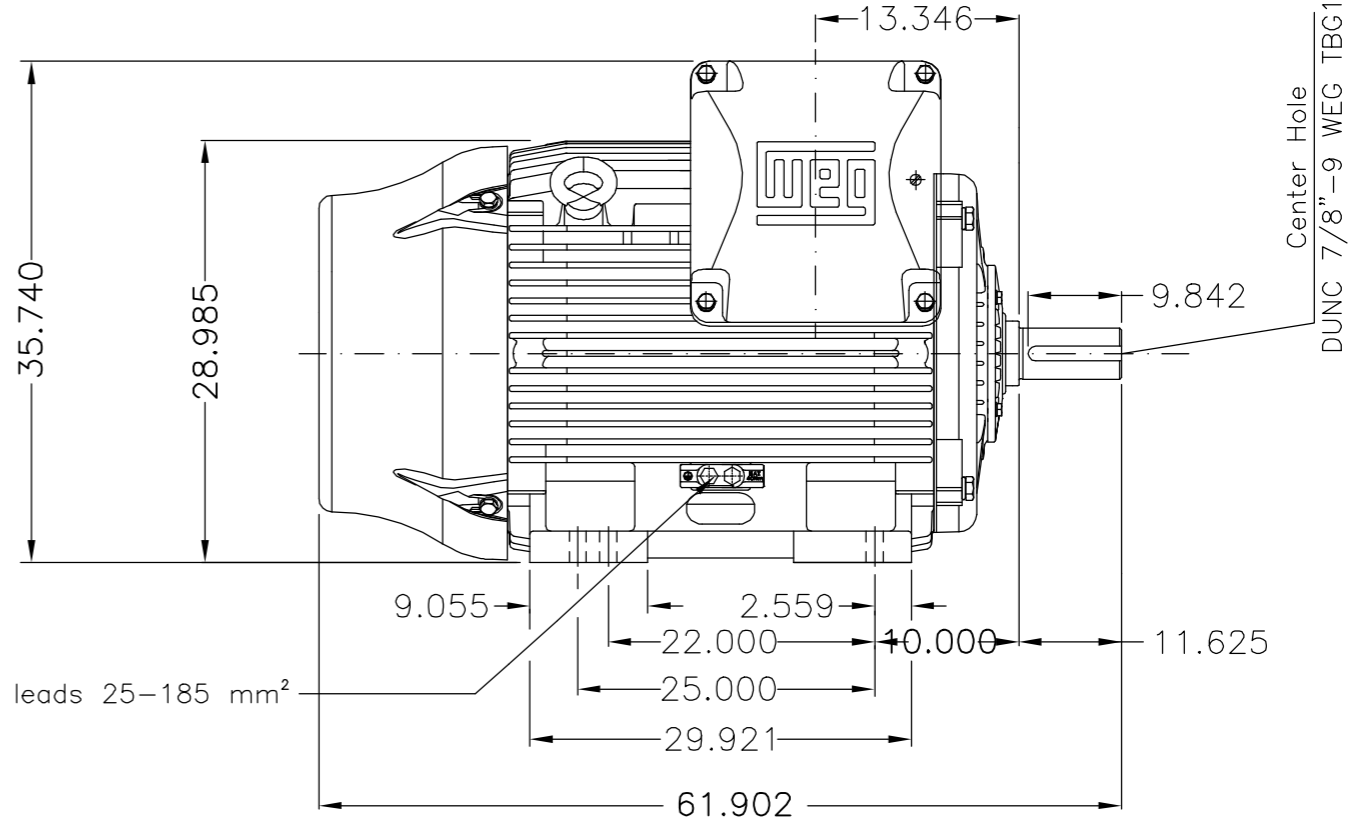
CERTIFIED WEG MOTORES
Certified document.
Not subject to changes.

THIS IS AN UPDATED REVISION, THE PREVIOUS ONE MUST BE DISREGARDED.

A
B
C
D
E



Main terminal box



DE Shaft End

Tampa dianteira especial / Special DE endshield
Rolamento dianteiro de rolos NU-324 / NU-324 DE roller bearing
Rolamento dianteiro de rolos / DE roller bearing
Dispositivo de travamento de eixo / Shaft locking device
Categoria A / Design A
Proteção térmica desligamento - Termostato 155°C / Thermostats 155°C to trip
Tampa traseira com mancal eletricamente isolado / N.D.E bearing hub electrically insulated
Cor RAL 5009 / Color RAL 5009
Plano de pintura 203A / Painting plan 203A
Forma construtiva NEMA F-1 / Mounting NEMA F-1
Forma construtiva B3D / Mounting B3R(D)

WEG ELECTRIC CORPORATION - WEC

500 HP	04 Poles	60Hz	J
500 HP	06 Poles	60Hz	I
450 HP	04 Poles	60Hz	H
450 HP	06 Poles	60Hz	G
400 HP	04 Poles	60Hz	F
400 HP	06 Poles	60Hz	E
350 HP	04 Poles	60Hz	D
350 HP	06 Poles	60Hz	C
300 HP	04 Poles	60Hz	B
300 HP	06 Poles	60Hz	A

500001293996	ATUALIZADO COTA H-H	AFILHO	MENSOR	10.04.2017	01			
500001133614	DOCUMENTO NOVO	DVEGINI	NSCHMIDT	25.01.2016	00			
ECM	LOC	SUMMARY OF MODIFICATIONS		EXECUTED	CHECKED	RELEASED	DATE	VER
EXECUTED	DVEGINI	THREE PHASE W22 MOTOR - NEMA PREMIUM EFF		10004040391				
CHECKED		FRAME 586/TZ IP55		000 01				
RELEASED	NSCHMIDT							
REL DT	25.01.2016	WMO	Jaragua do Sul	Product Engineering	SHEET	1 / 1		



UNCONTROLLED COPY

RELEASED

ZME A3