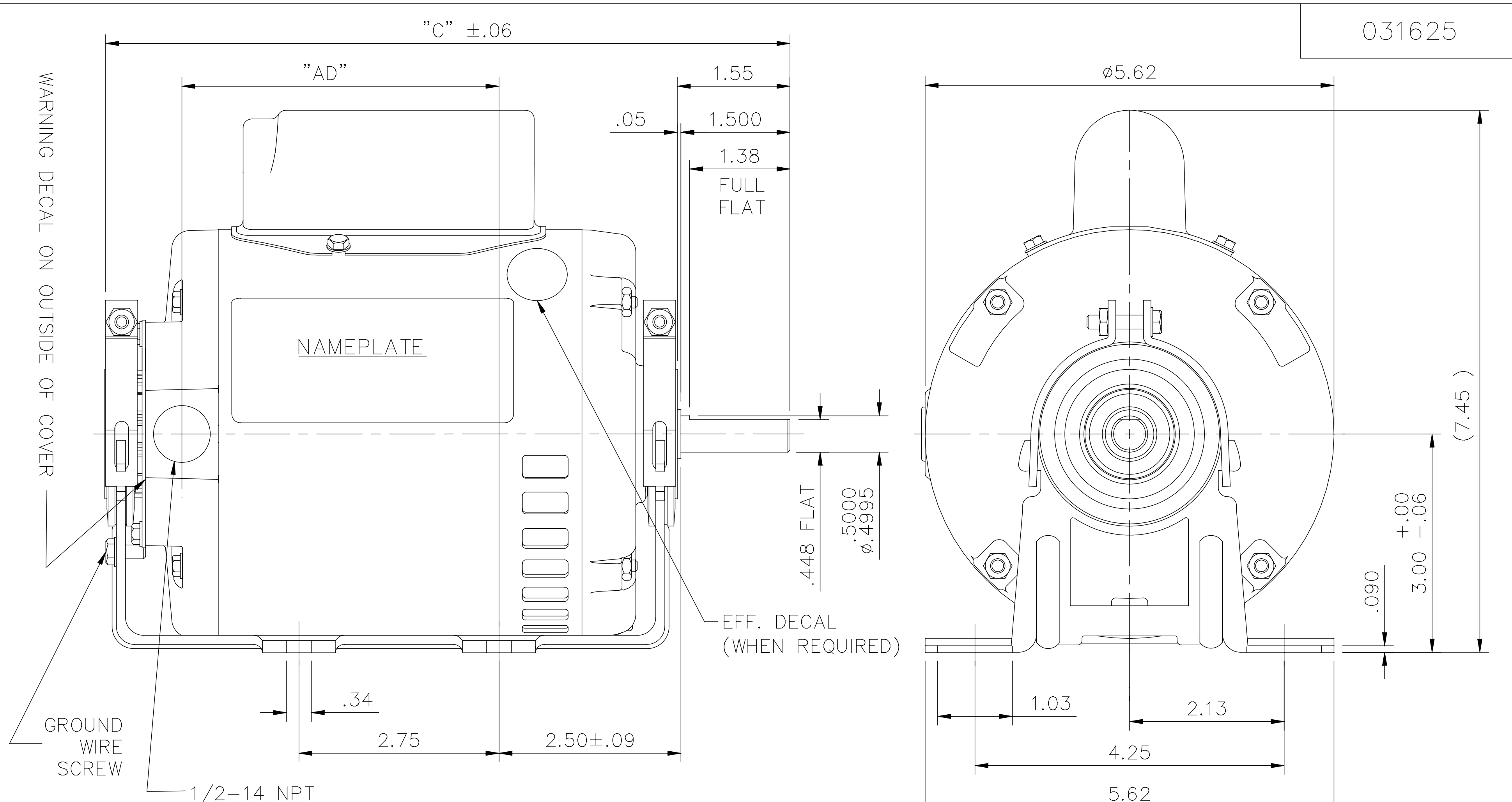


031625



DASH NO.	"C"	"AD"
500	9.39	4.34
550	9.89	4.84
600	10.39	5.34
650	10.89	5.84

				TOLERANCES UNLESS OTHERWISE SPECIFIED			LEESON ELECTRIC CORPORATION			
				DEC.	INCHES	METRIC				
A	UPDATED WITH CAP BOX, EFF, OUTSIDE COVER & GROUND SCREW DECALS	SL 10/13/15	JD	.X	±.1	±2.5	APPR.		MAT'L.	1 PHASE
NO.	REVISION	BY & DATE	CH'K'D.	.XX	±.03	±.76	R.F.P.			
				.XXX	±.005	±.127	SCALE	1=2		
THIS DRAWING IN DESIGN AND DETAIL IS OUR PROPERTY AND MUST NOT BE USED EXCEPT IN CONNECTION WITH OUR WORK ALL RIGHTS OF DESIGN AND INVENTION ARE RESERVED THIS IS AN ELECTRONICALLY GENERATED DOCUMENT - DO NOT SCALE THIS PRINT				FRACTIONS	±1/64	REF.	030005	FINISH	REV.	DRAWING NO.
				ANGLES	±1/2°	FMF	101015		A	031625