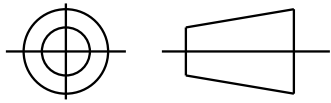


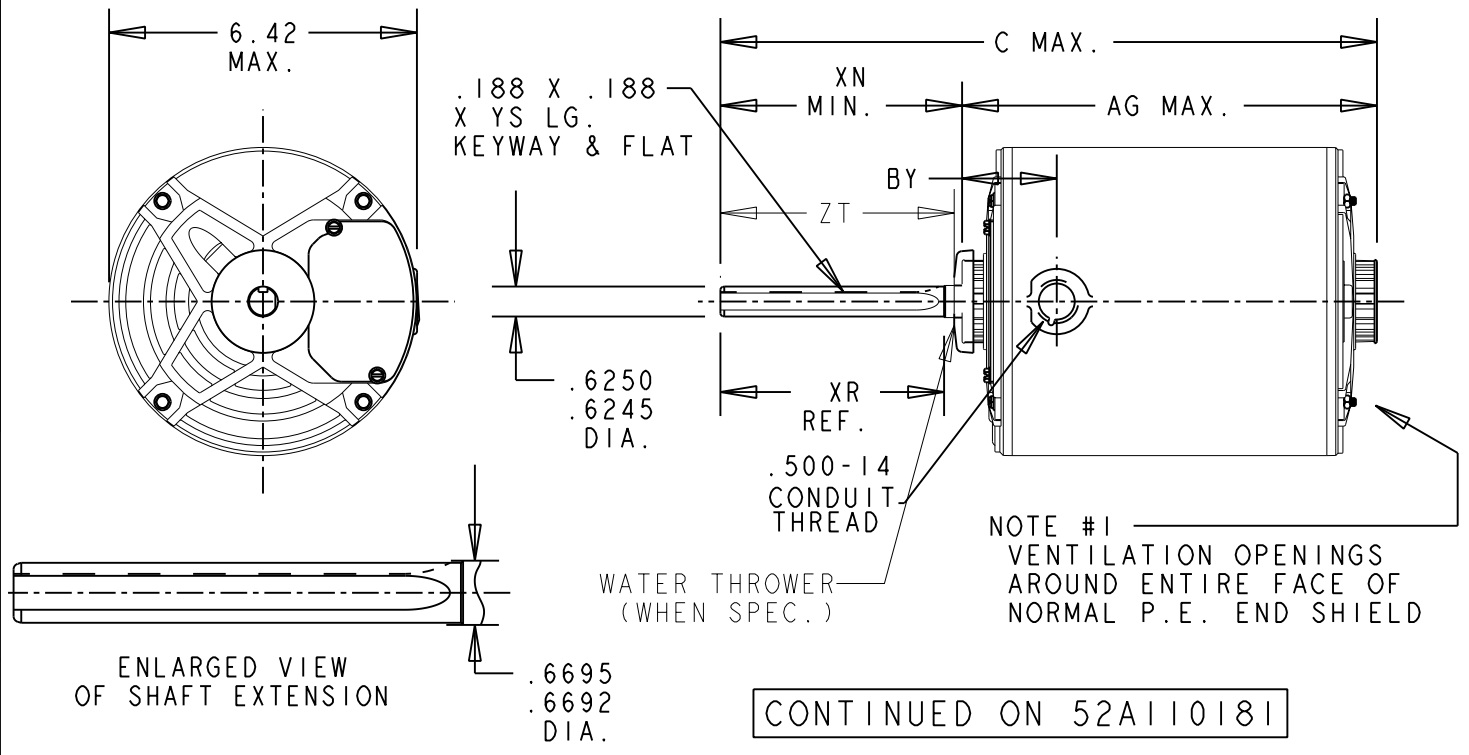
SHEET 1  
 REV 10  
 SIZE DRAWING NO. 52A109359  
 A

THIRD ANGLE PROJECTION



REVISIONS

| REV. | DESCRIPTION                     | DATE     | APPROVED |
|------|---------------------------------|----------|----------|
| 9    | AS PER IS03-0583 & 03-0584      | 03/28/03 | MANTRI.U |
| 10   | CHG TO RBC FORMAT PER IS05-1777 | 03/13/06 | SUDHA    |



| 9 | K    | 49      | 56Z     | 5.00 | 16.97 | 11.85 | NOTE #1 | 9.63      | 2.07/1.95 | 4.74 | 3.00 | 4.77<br>4.73 |
|---|------|---------|---------|------|-------|-------|---------|-----------|-----------|------|------|--------------|
| 8 | K    | 49      | 56Z     | 4.00 | 14.02 | 9.90  | NOTE #1 | 7.68      | 2.07/1.95 | 3.74 | 2.00 |              |
| 7 | K    | 49      | 56Z     | 6.00 | 17.97 | 11.85 | NOTE #1 | 9.63      | 2.07/1.95 | 5.74 | 4.00 |              |
| 6 | K    | 48      | 56Z     | 6.00 | 16.77 | 10.65 | NOTE #1 | 8.43      | 2.07/1.95 | 5.74 | 4.00 |              |
| 5 | K    | 49      | 56Z     | 6.00 | 14.89 | 8.77  | NOTE #1 | 6.55      | 2.07/1.95 | 5.74 | 4.00 |              |
| 4 | K    | 49      | 56Z     | 6.00 | 16.02 | 9.90  | NOTE #1 | 7.68      | 2.07/1.95 | 5.74 | 4.00 | 5.77<br>5.73 |
| 3 | K    | 48      | 56Z     | 6.00 | 16.77 | 10.65 | NOTE #1 | 8.43      | 2.07/1.95 | 4.66 | 4.00 |              |
| 2 | K    | 49      | 56Z     | 6.00 | 16.02 | 9.90  | NOTE #1 | 7.68      | 2.07/1.95 | 4.66 | 4.00 |              |
| 1 | K    | 46      | 56Z     | 6.00 | 14.89 | 8.77  | NOTE #1 | 6.55      | 2.07/1.95 | 4.66 | 4.00 |              |
| P | TYPE | GE SIZE | NEMA FR | XN   | C     | AG    | REMARKS | SHELL LG. | BY        | XR   | YS   | ZT           |

|                               |            |                        |            |   |              |         |            |                  |  |               |  |              |  |
|-------------------------------|------------|------------------------|------------|---|--------------|---------|------------|------------------|--|---------------|--|--------------|--|
| SIGNATURES                    |            | DATE                   |            | REGAL-BELOIT CORPORATION  |              |         |            |                  |  |               |  |              |  |
| MODEL                         | M. D. PAPE | 11/05/93               |            | <b>TITLE</b><br><b>OUTLINE</b><br><b>40 FR. REDESIGN - OUTDOOR CONDENSOR -</b><br><b>TENV (SE)- DRIP PROOF (PE) - BALL BEARING FMF: 5K46LN6032S</b> |              |         |            |                  |  |               |  |              |  |
| DETAIL                        | .          | .                      |            |   |              |         |            |                  |  |               |  |              |  |
| CHECKED                       | .          | .                      |            |   |              |         |            |                  |  |               |  |              |  |
| ENGRG                         | .          | .                      |            |   |              |         |            |                  |  |               |  |              |  |
| FOR ADDITIONAL INFO REFER TO: |            | MFG                    | .          | SIZE  |              | DRAWING |            | <b>52A109359</b> |  | <b>REV 10</b> |  |              |  |
| APPLIED PRACTICES             | QUALITY    | .                      | A          |   | SCALE: 0.250 |         | REF. No: . |                  |  |               |  | SHEET 1 of 1 |  |
| DIMENSIONS ARE IN INCHES ✓    |            | ISSUED                 | M. D. PAPE | 11/05/93  |              |         |            |                  |  |               |  |              |  |
| MATERIAL                      |            | SOLID MODEL: 52A109359 |            |   |              |         |            |                  |  |               |  |              |  |