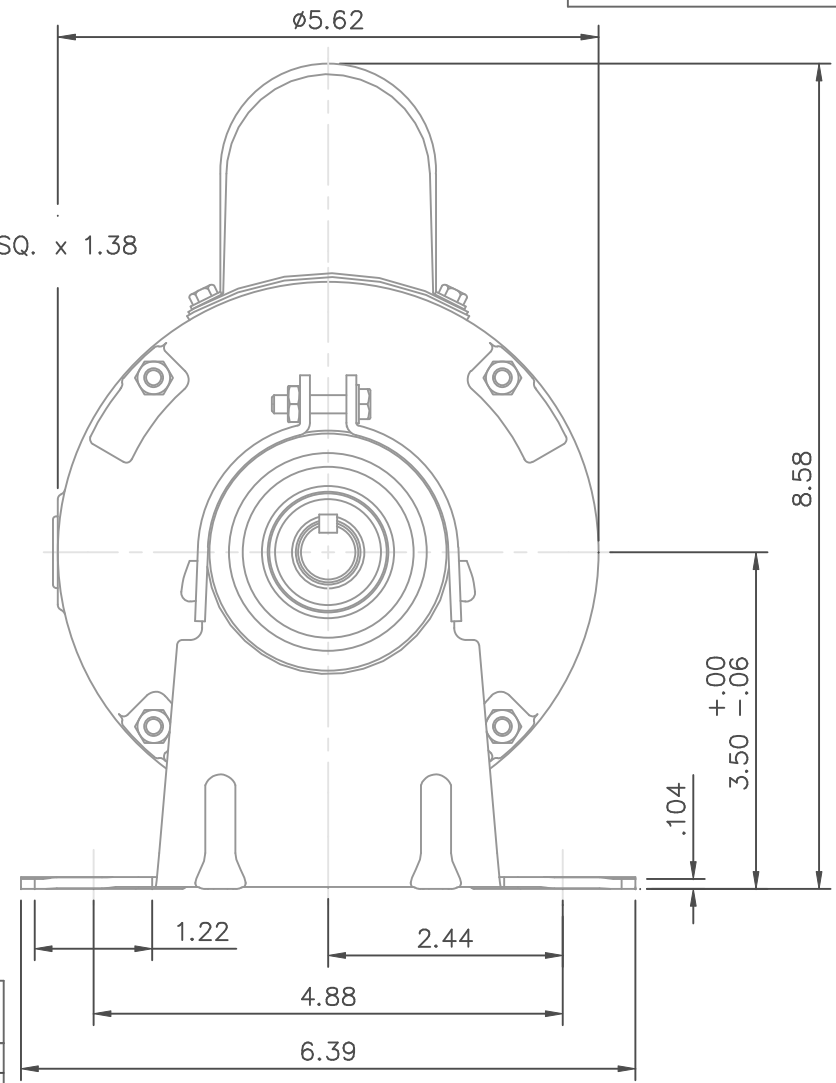
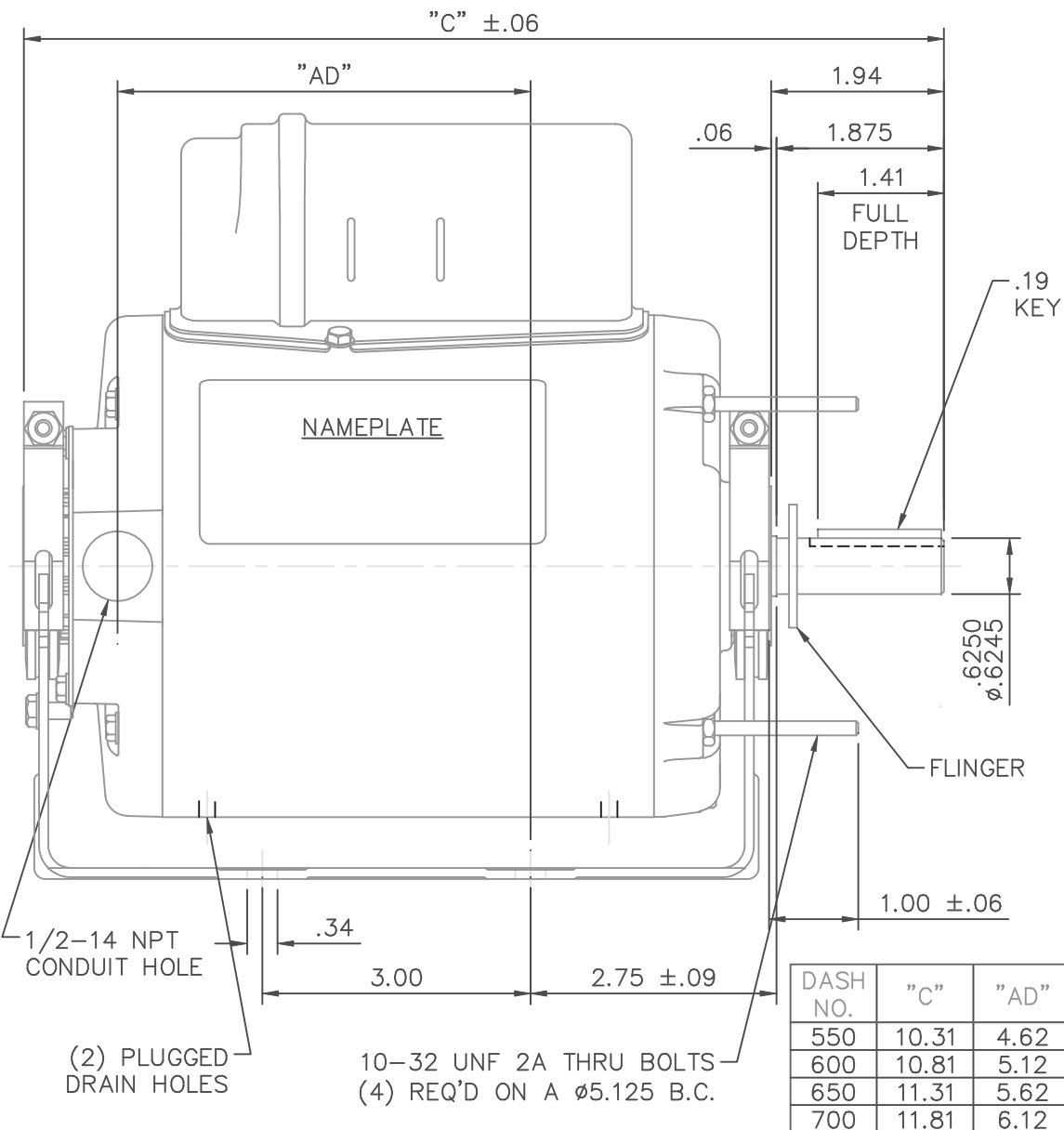


031706



.19 SQ. x 1.38 KEY

DASH NO.	"C"	"AD"
550	10.31	4.62
600	10.81	5.12
650	11.31	5.62
700	11.81	6.12

TOLERANCES UNLESS SPECIFIED	
DEC.	INCHES
.X	±.1
.XX	±.03
.XXX	±.005
.XXXX	±.0005
ANG	±1/2°



ELECTRIC MOTORS
GEARMOTORS
AND DRIVES

DRAWN	PG 7/24/02
CHK	
APPD	
SCALE	1=2
REF	031082
FMF	100767.00
PREV	

TITLE	OUTLINE - S56 FRAME RESILIENT MOUNT - TENV
MAT'L.	1 PHASE
FINISH	

01	REVISED TO EXT. THRU-BOLTS PER CN #04-327/333	KMM	3/8/04
NO.	REVISION	BY & DATE	CHK

THIS DRAWING IN DESIGN AND DETAIL IS OUR PROPERTY AND MUST NOT BE USED EXCEPT IN CONNECTION WITH OUR WORK ALL RIGHTS OF DESIGN AND INVENTION ARE RESERVED THIS IS AN ELECTRONICALLY GENERATED DOCUMENT - DO NOT SCALE THIS PRINT

RFP	CAD FILE	031706	SIZE	DRAWING NO.	REV.
DIST			A	031706	01