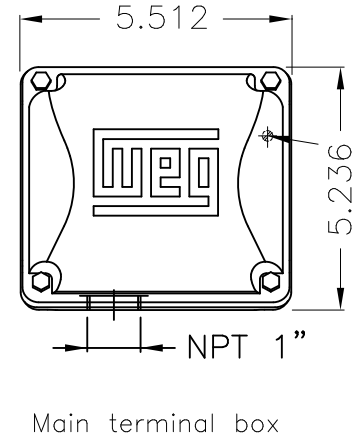
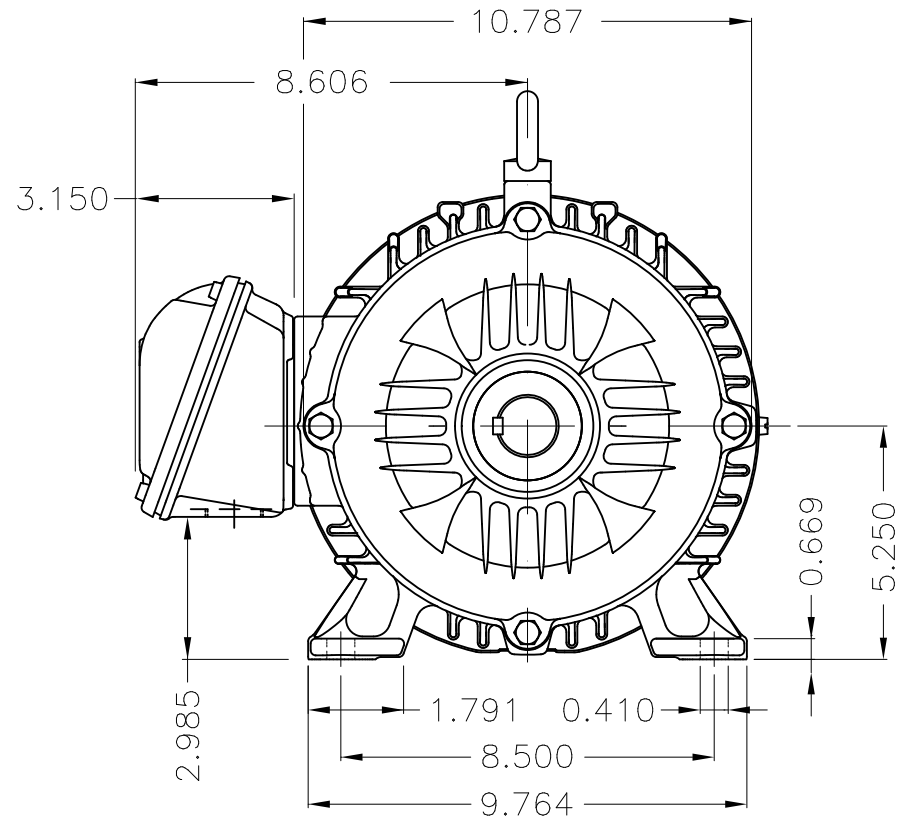
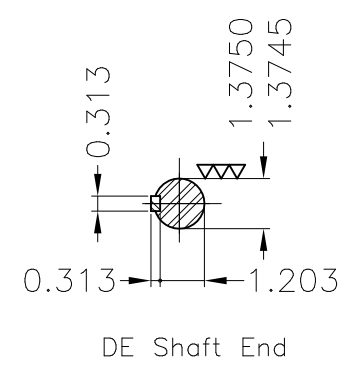
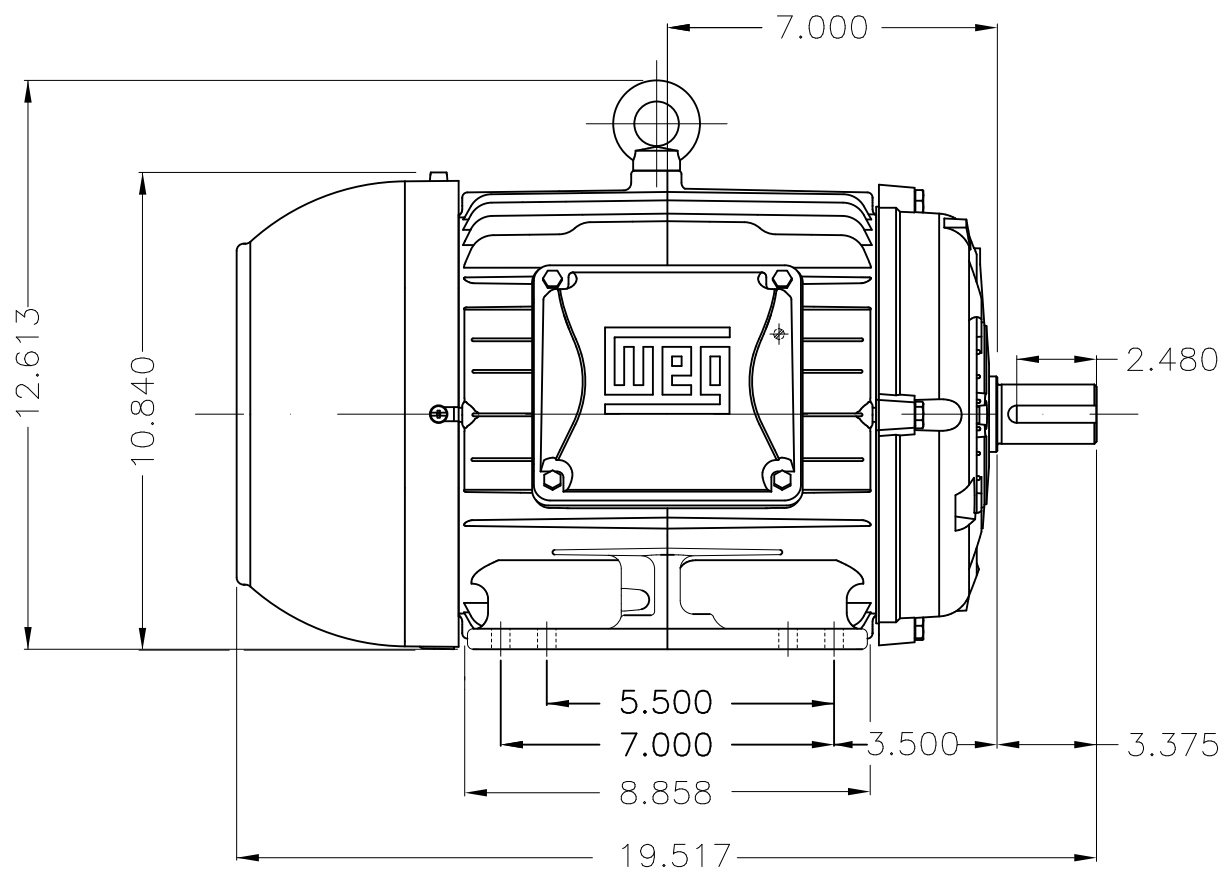


Dimensões em polegada  
Dimensions in inches

THIS IS AN UPDATED REVISION, THE  
PREVIOUS ONE MUST BE DISREGARDED.



Grounding for leads 2-10 mm<sup>2</sup> / 14-7 AWG



Color RAL 5009  
Painting plan 207A  
Mounting B3R(D)

| ECM      | LOC        | SUMMARY OF MODIFICATIONS                 | EXECUTED            | CHECKED | RELEASED | DATE | VER |
|----------|------------|--|---------------------|---------|----------|------|-----|
| EXECUTED | USERADMIN  | THREE PHASE W22 MOTOR - NEMA PREMIUM EFF |                     |         |          |      |     |
| CHECKED  |            | FRAME 213/5T IP55 TEFC                   |                     |         |          |      |     |
| RELEASED |            | WEG code: 11441768                       |                     |         |          |      |     |
| REL DT   | 24.07.2017 | WMO Jaragua do Sul                       | Product Engineering | SHEET   | 1 / 1    |      |     |

10 HP 02 Poles 60Hz

A

