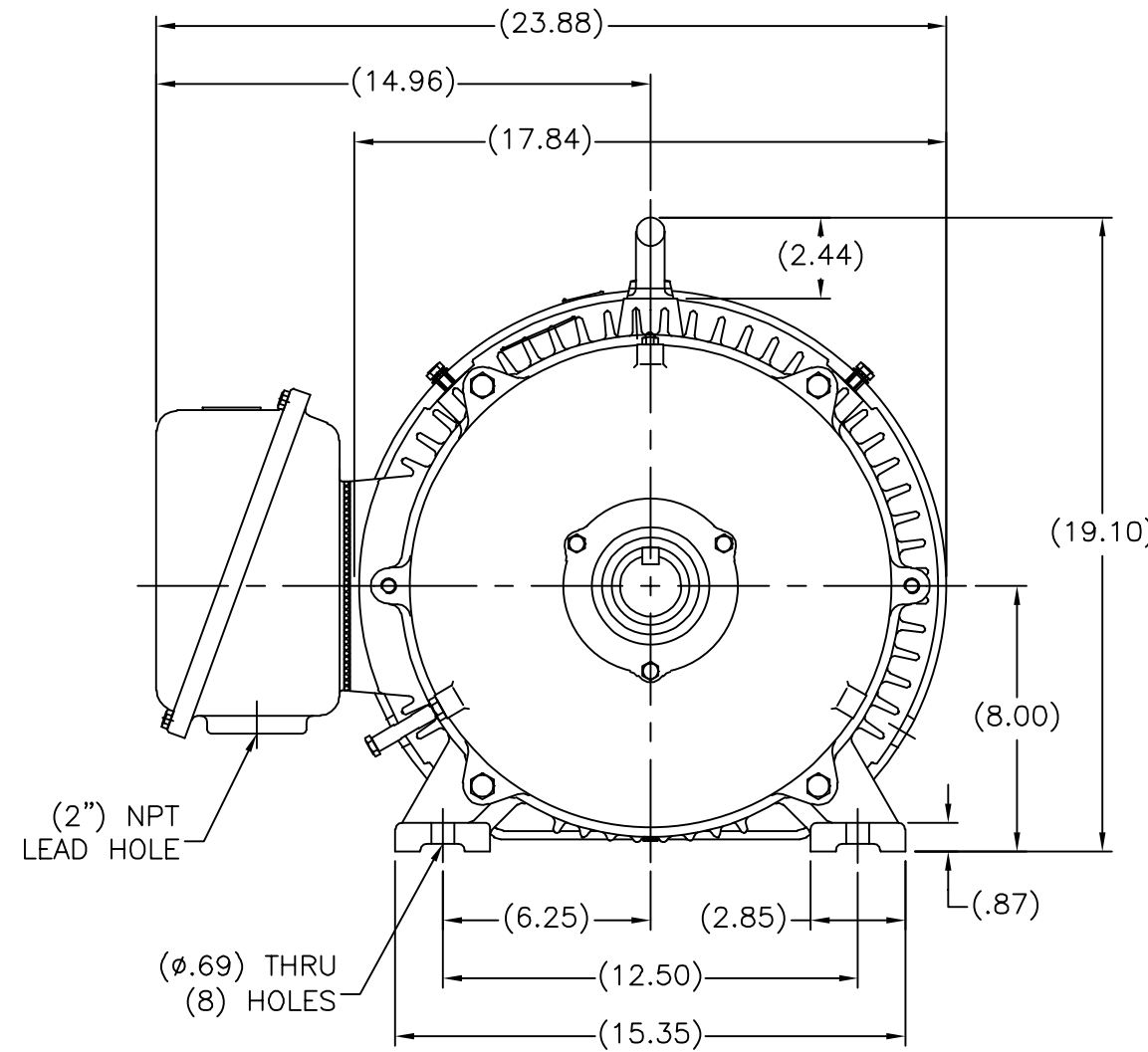
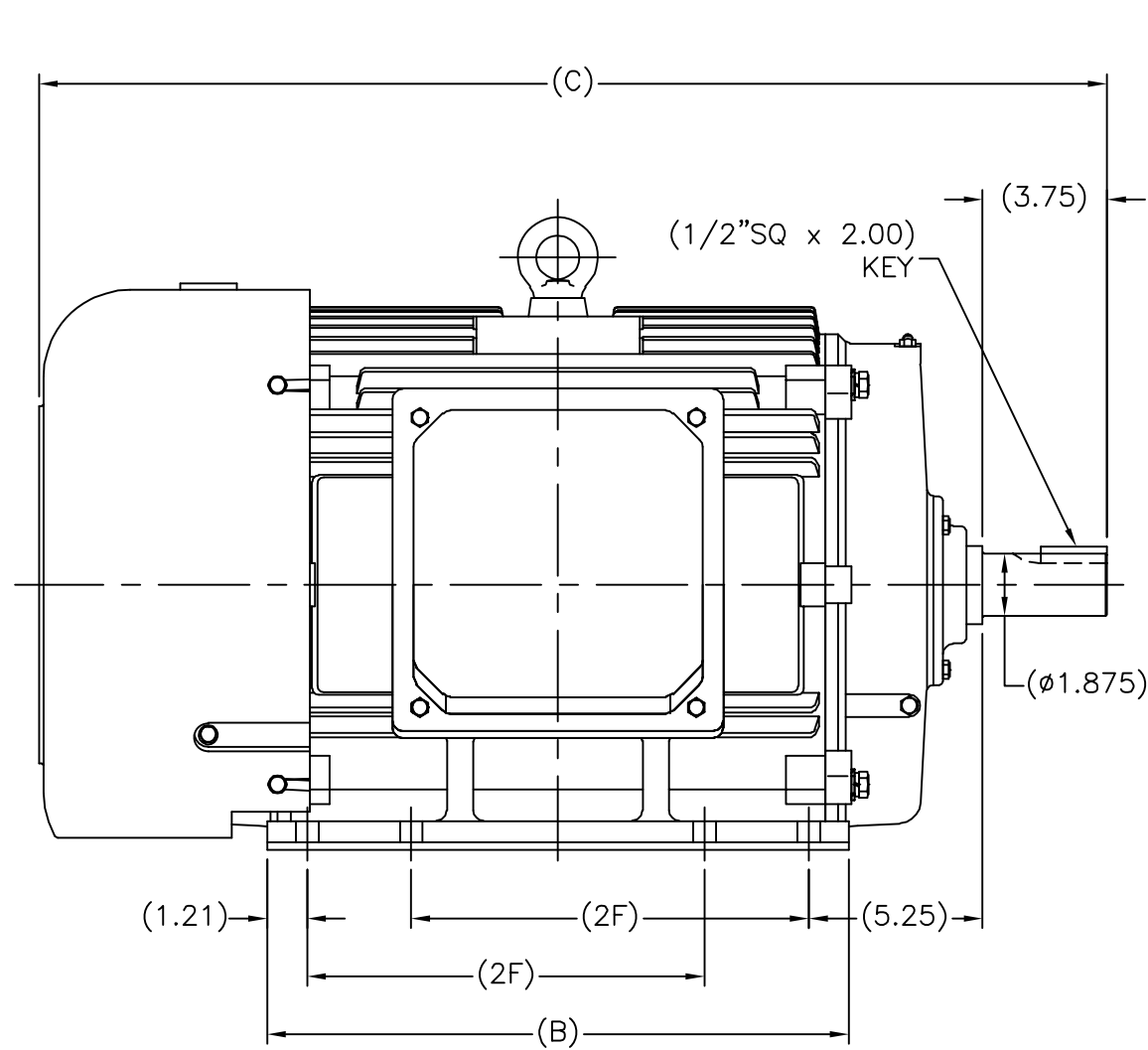


SS620248



(MAY NOT BE DRAWN TO SCALE)

(DIMENSIONS IN TABLE ARE CONSIDERED REFERENCE)

324TS	31.26	16.37	10.50
326TS	32.44	17.56	12.00
FRAME	C	B	2F

		TOLERANCES UNLESS SPECIFIED		DRAWN MSG 01/12/2010	
		DEC.	INCHES	CHK MJS 01/13/2010	
		.X	±.1	APPD SB 01/13/2010	
		.XX	±.03	SCALE N/A	
		.XXX	±.005	REF	
1	REVISED TITLE BLOCK PER. ECO-0050447	RFH 05/01/2014	SB	.XXXX ±.0005	MAT'L
NO.	REVISION	BY & DATE	CHK	ANG ±1/2'	FINISH
THIS DRAWING IN DESIGN AND DETAIL IS OUR PROPERTY AND MUST NOT BE USED EXCEPT IN CONNECTION WITH OUR WORK ALL RIGHTS OF DESIGN AND INVENTION ARE RESERVED THIS IS AN ELECTRONICALLY GENERATED DOCUMENT - DO NOT SCALE THIS PRINT			RFP	10/14/2010	CAD FILE SS620248.dwg
			DIST		
				SIZE	DRAWING NO. PAGE 1 OF 1 REV.
				A	SS620248 1

REGAL REGAL-BELOIT CORPORATION

TITLE OUTLINE  
320TS FR. - TEFC

FMF HUADA

PREV