

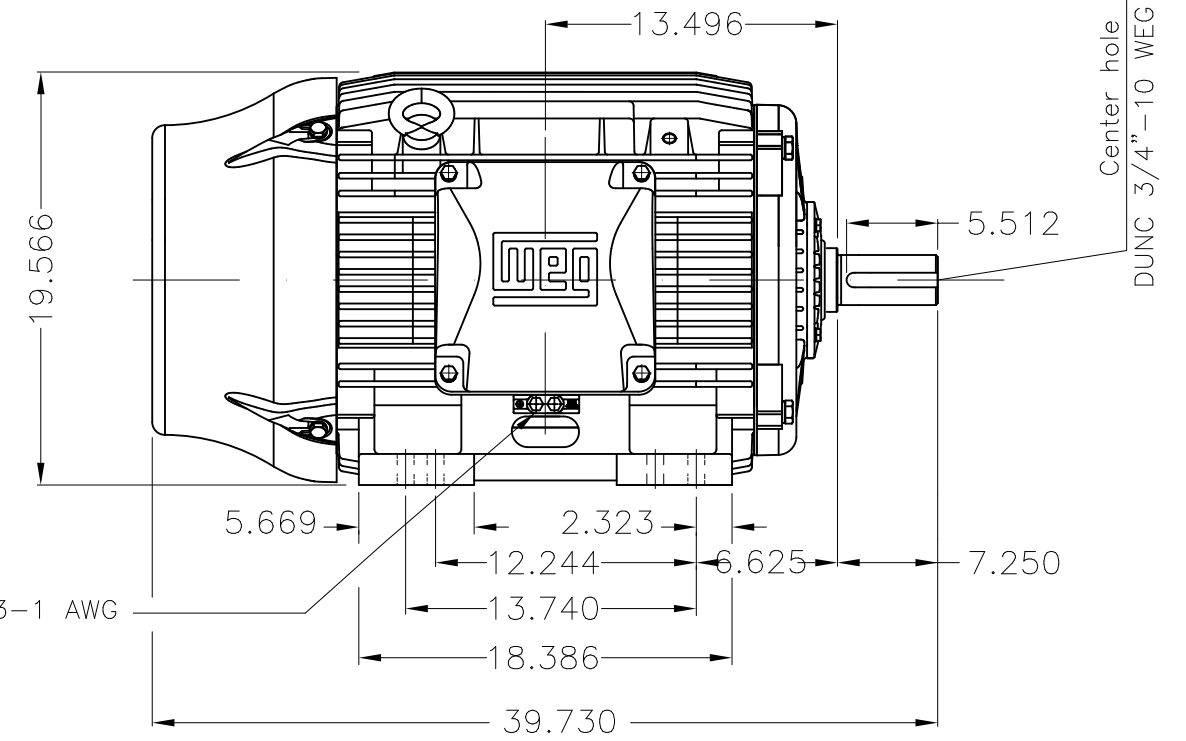
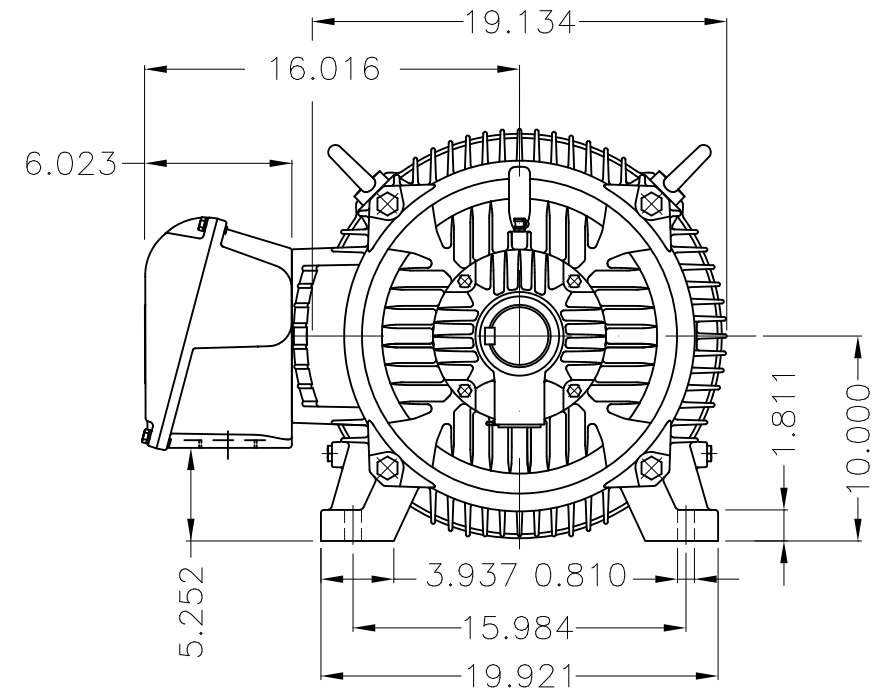
Dimensões em polegada  
Dimensions in inches

THIS IS AN UPDATED REVISION, THE  
PREVIOUS ONE MUST BE DISREGARDED.



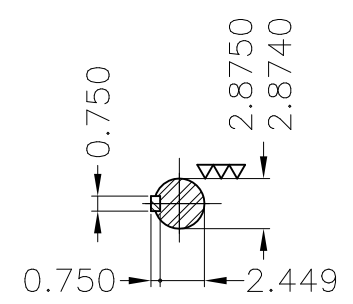
Grounding for leads 25-50 mm<sup>2</sup> / 3-1 AWG

Main terminal box



Center hole  
DUNC 3/4"-10 WEG TBG12

Grounding for leads 25-50 mm<sup>2</sup> / 3-1 AWG



DE Shaft End

Color RAL 5009  
Painting plan 203A  
Mounting B3R(D)

| ECM      | LOC        | SUMMARY OF MODIFICATIONS                 | EXECUTED            | CHECKED | RELEASED | DATE | VER |
|----------|------------|--|---------------------|---------|----------|------|-----|
| EXECUTED | USERADMIN  | THREE PHASE W22 MOTOR - NEMA PREMIUM EFF |                     |         |          |      |     |
| CHECKED  |            | FRAME 404/5T IP55 TEFC                   |                     |         |          |      |     |
| RELEASED |            | WEG code: 11403782                       |                     |         |          |      |     |
| REL DT   | 24.07.2017 | WMO Jaragua do Sul                       | Product Engineering | SHEET   | 1 / 1    |      |     |

60 HP 06 Poles 60Hz

A

