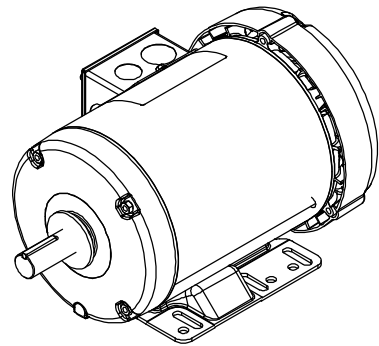
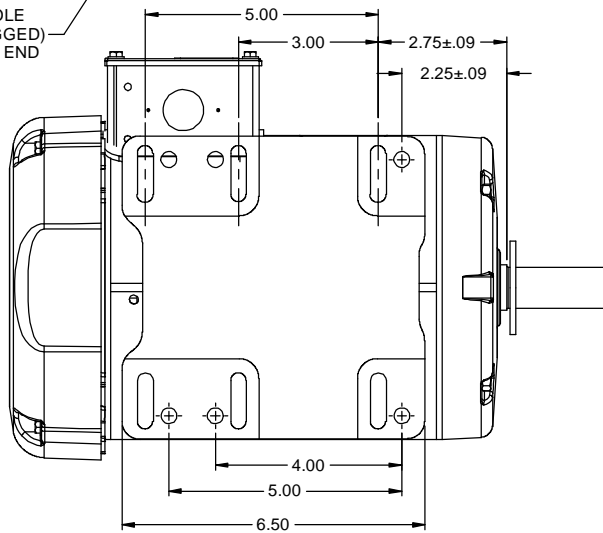


(3) Ø.88 KNOCKOUTS
DRAIN HOLE (UN PLUGGED) ON EACH END



- NOTES:
 1) GASKETS THROUGHOUT
 2) FLINGER ON SHAFT END
 3) DRAIN HOLES ON EACH END OF FRAME (UNPLUGGED)

DASH NO.	"C"	"AD 1"	"AD 2"
700	12.48	4.19	4.69
750	12.98	4.69	5.19
800	13.48	5.19	5.69
850	13.98	5.69	6.19

		TOLERANCES UNLESS SPECIFIED		REGAL Regal-Beloit Corporation		DRAWN VS 6/11/2012	
		DEC	INCHES			CHK	
		X	±.1			APPR	
		XX	±.03	TITLE OUTLINE - 140/56HZ FRAME		SCALE 3:8	
		XXX	±.005	TEFC - RIGID		REF 028765	
		XXXX	±.0005	MATL		FMF 121997.00	
				FINISH GENERAL PURPOSE		PAGE OF	
NO		REVISION		BY & DATE		CHK LANG ±1/2"	
				RFP		PREV	
				THIRD ANGLE PROJECTION		SIZE DRAWING NO	
				NETWORK FILE NAME 029033		B 029033	
						REV	