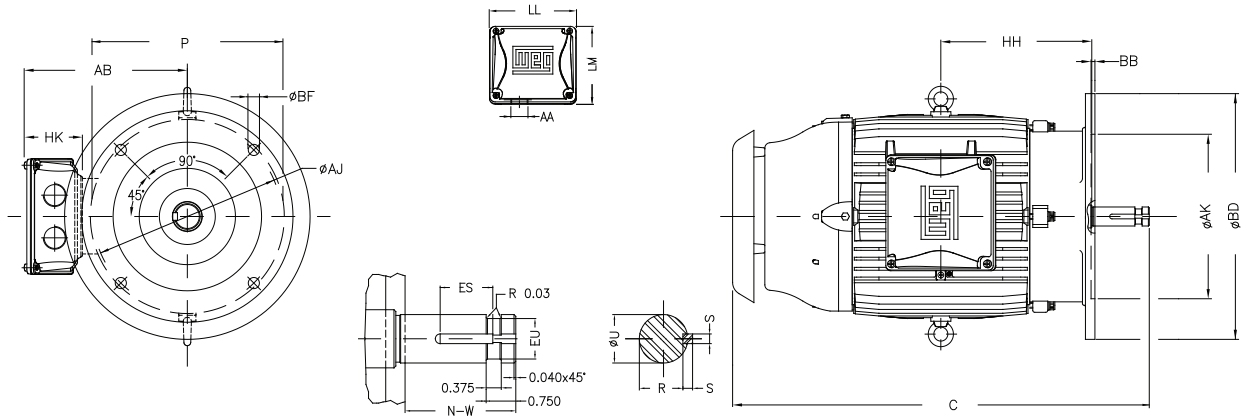


# W22 P-Base Motors - High Efficiency

## TEFC - Mechanical Data



NEMA FRAMES	# of Poles	P	AB	AH	U	N-W	ES	EU	S	R	HH	HK	C	LL	LM	AA	Bearing		Flange				
																	D.E.	N.D.E	AJ	AK	BD	BF	BB
143HP	2	7.047	6.260	2.750	0.875	2.874	1.250	0.687	0.187	0.765	4.250	2.638	13.421	4.528	4.094	NPT 3/4"	6307 ZZ	6204 ZZ					
143HP	4/6/8																						
145HP	2																						
145HP	4/6/8	8.740	7.565													NPT 1"	6308 ZZ	6206 ZZ	9.125	8.250	10.000	0.433	0.196
182HP	2																						
182HP	4/6/8																						
184HP	2	10.630	8.583													NPT 1"	6309 ZZ	6207 ZZ	9.125	8.250	10.000	0.433	0.196
184HP	4/6/8																						
213HP	2																						
213HP	4/6/8	12.283	10.483													NPT 1 1/2"	6311 C3	6209 C3	9.125	8.250	10.000	0.433	0.196
215HP	2																						
215HP	4/6/8																						
254HP	2	14.094	11.073													NPT 1 1/2"	6312 C3	6211 C3	9.125	8.250	10.000	0.433	0.196
254HP	4/6/8																						
256HP	2																						
256HP	4/6/8	15.591	12.575													NPT 2"	6314 C3	6212 C3	9.125	8.250	10.000	0.433	0.196
284HP	2																						
284HP	4/6/8																						
284HPH	2	17.794		4.500		4.764		3.150								NPT 2"	6314 C3	6212 C3	14.750	13.500	16.500	0.687	0.250
284HPH	4/6/8																						
286HP	2																						
286HP	4/6/8	19.134	16.016													NPT 3"	6316 C3	6314 C3	14.750	13.500	16.500	0.687	0.250
286HPH	2																						
286HPH	4/6/8																						
324HP	2	23.583	18.570													2xNPT 3"	6319 C3	6316 C3	14.750	13.500	16.500	0.687	0.250
324HP	4/6/8																						
326HP	2																						
326HP	4/6/8																						
364/5HP	2	19.134	16.016													NPT 3"	6316 C3	6314 C3	14.750	13.500	16.500	0.687	0.250
364/5HP	4/6/8																						
404/5HP	2																						
404/5HP	4/6/8	23.583	18.570													2xNPT 3"	6319 C3	6316 C3	14.750	13.500	16.500	0.687	0.250
404/5HPH	2																						
404/5HPH	4/6/8																						
444/5HP	2	23.583	18.570													2xNPT 3"	6319 C3	6316 C3	14.750	13.500	16.500	0.687	0.250
444/5HP	4/6/8																						