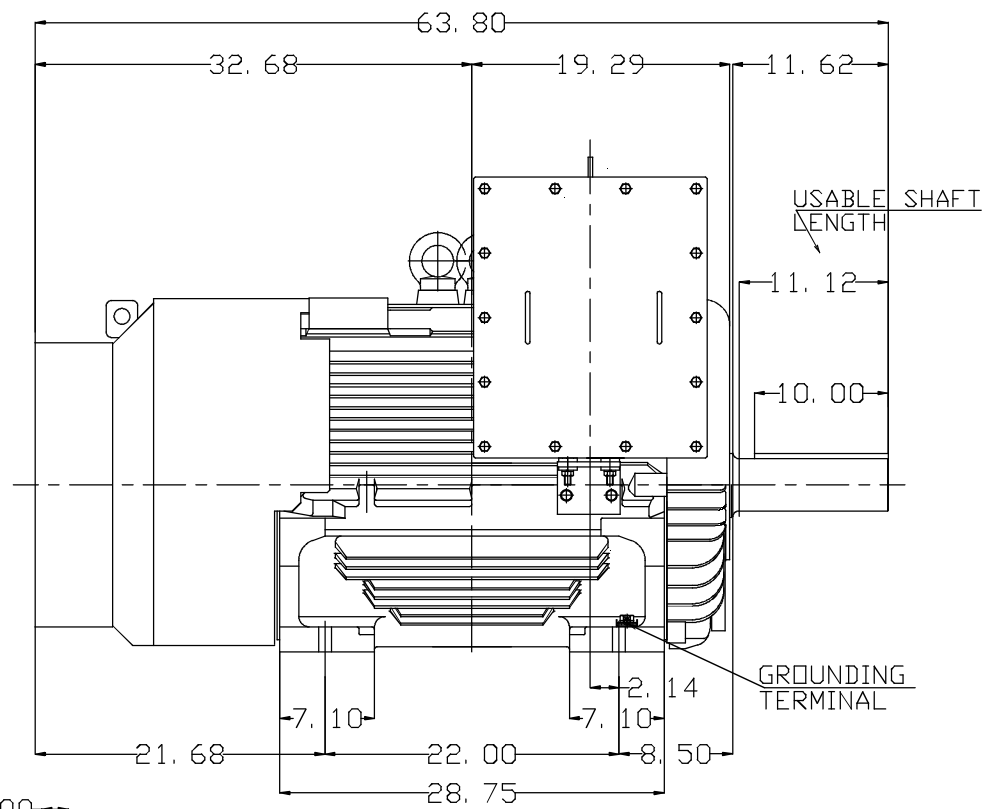
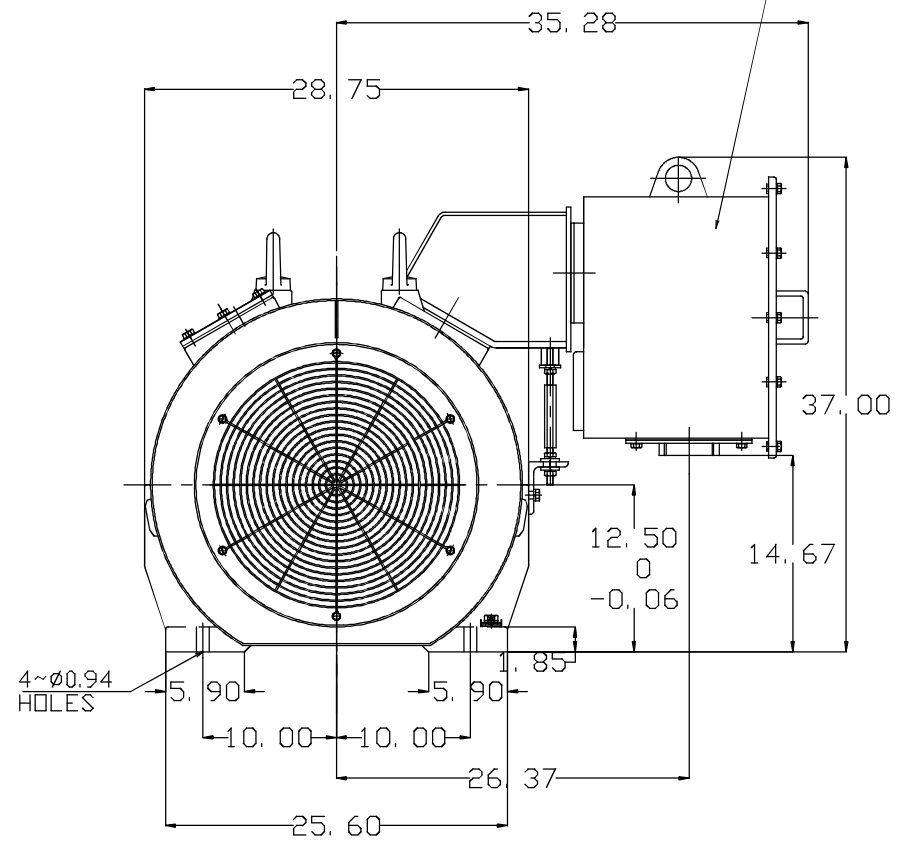


6 | 5 | 4 | 3 | 2 | 1

TYPE	OUTPUT		POLE	TIME RATING	VOLTAGE V	Hz	SYN.SPEED R.P.M
	HP.	kW.					
AEHE	200	149	8	CONT.	575	60	900

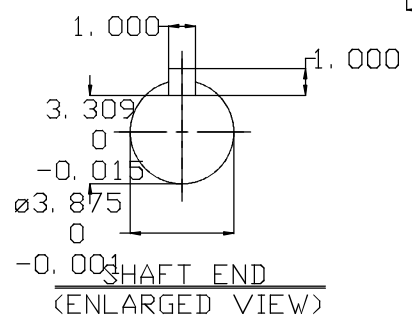
TOTALLY ENCLOSED FAN-COOLED TYPE, SQUIRREL-CAGE ROTOR

PRIMARY T-BOX  
(NPT4")



USABLE SHAFT LENGTH

GROUNDING TERMINAL



- NOTE:
1. DIMENSIONS IN inch
  2. FRAME NO. 5007C
  3. F CLASS INSULATION, S.F.115
  4. FOR BELT DRIVE APPLICATION
  5. ENCLOSURE: IP55
  6. BEARING SIZE: DRIVE-END NU324  
OPP. DRIVE-END 6320
  7. MOTOR APPROX. WEIGHT: 3400 lb

DATE	CATALOG #	OUTLINE DIMENSIONS	
	E20085R	3-PHASE INDUCTION MOTOR	
DWN. Y.DU	MAR-19-2014	DWG NO.	REV:00
CHKD. W.CHENG	MAR-28-2014	4A040Y985	
APPD. C.SHIH	MAR-28-2014		

TECO Westinghouse

6 | 5 | 4 | 3 | 2 | 1