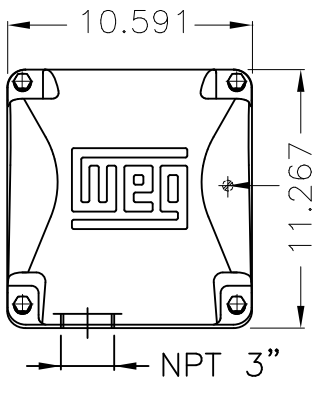


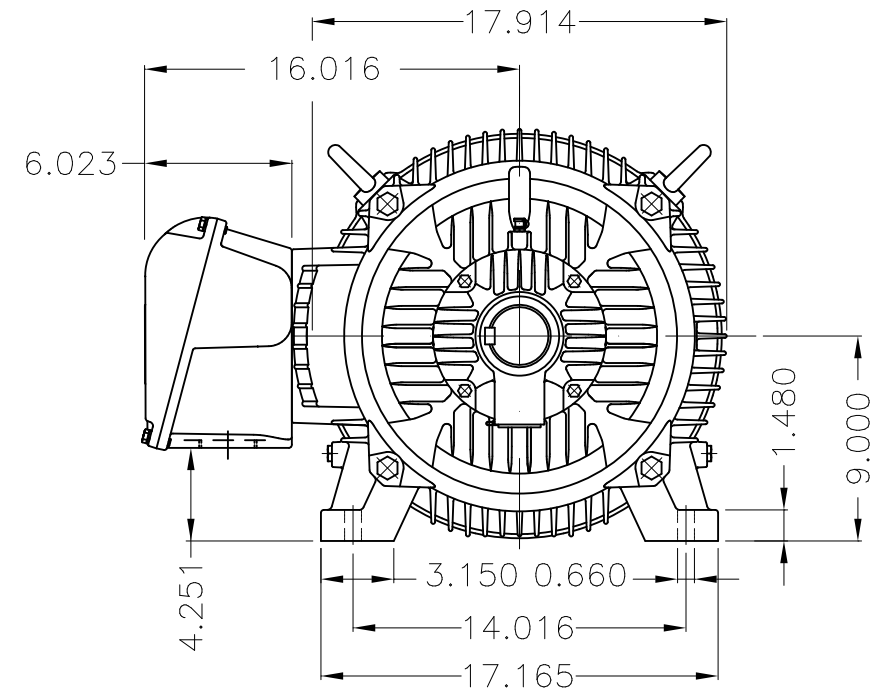
Dimensões em polegada
Dimensions in inches

THIS IS AN UPDATED REVISION, THE
PREVIOUS ONE MUST BE DISREGARDED.

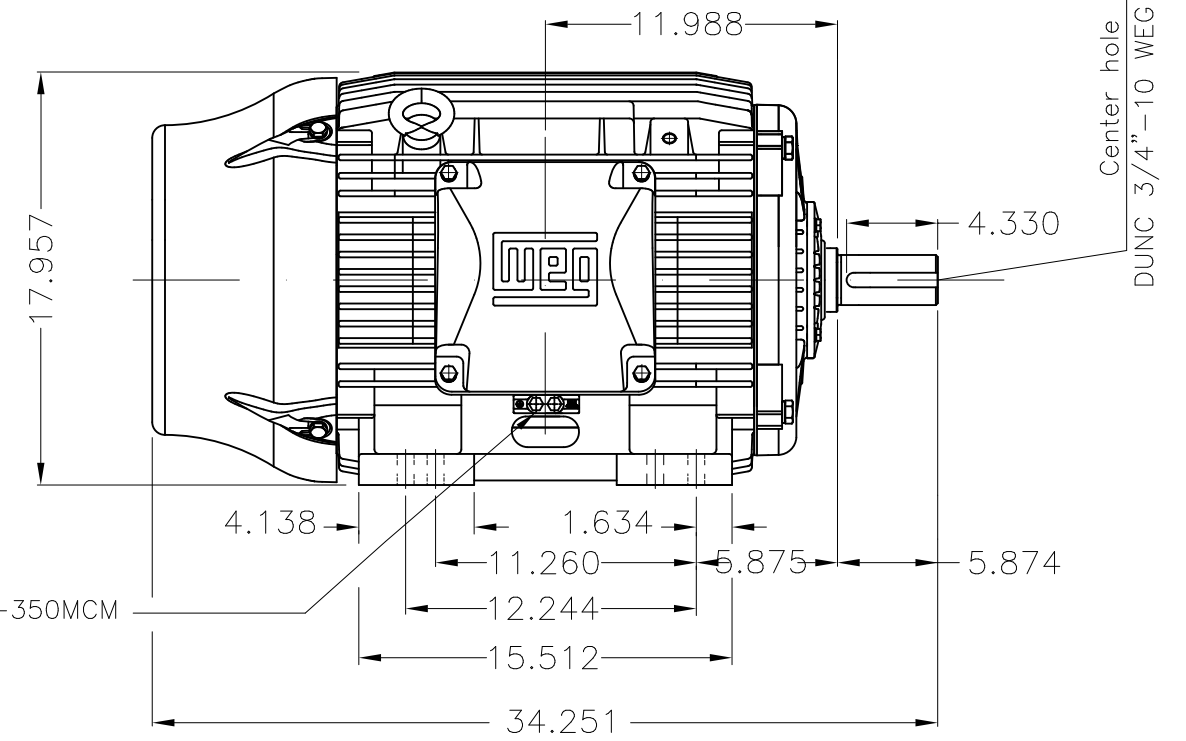


Grounding for leads 25–50 mm² / 3–1 AWG

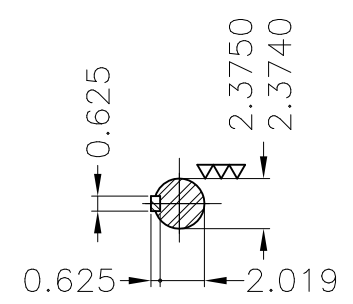
Main terminal box



Grounding for leads 25–185 mm² / 3AWG–350MCM



Center hole
DUNC 3/4"–10 WEG TBG12



DE Shaft End

Color RAL 5009
Painting plan 203A
Mounting B3R(D)

| ECM | LOC | SUMMARY OF MODIFICATIONS | EXECUTED | CHECKED | RELEASED | DATE | VER |
|----------|------------|--|---------------------|---------|----------|------|-----|
| EXECUTED | USERADMIN | THREE PHASE W22 MOTOR - NEMA PREMIUM EFF | | | | | |
| CHECKED | | FRAME 364/5T IP55 TEFC | | | | | |
| RELEASED | | WEG code: 11355727 | | | | | |
| REL DT | 24.07.2017 | WMO Jaragua do Sul | Product Engineering | SHEET | 1 / 1 | | |

40 HP 08 Poles 60Hz

A



ZME A3