

DATE  
Jan. 14, 2011  
CAT. #: VHP0304

# OUTLINE DIMENSIONS

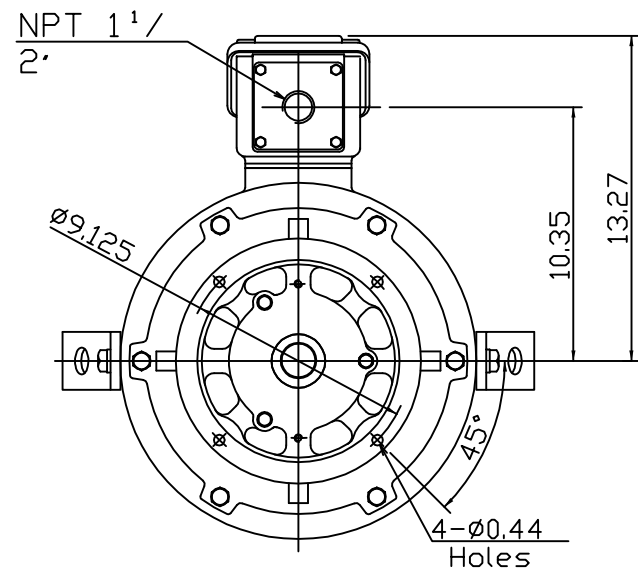
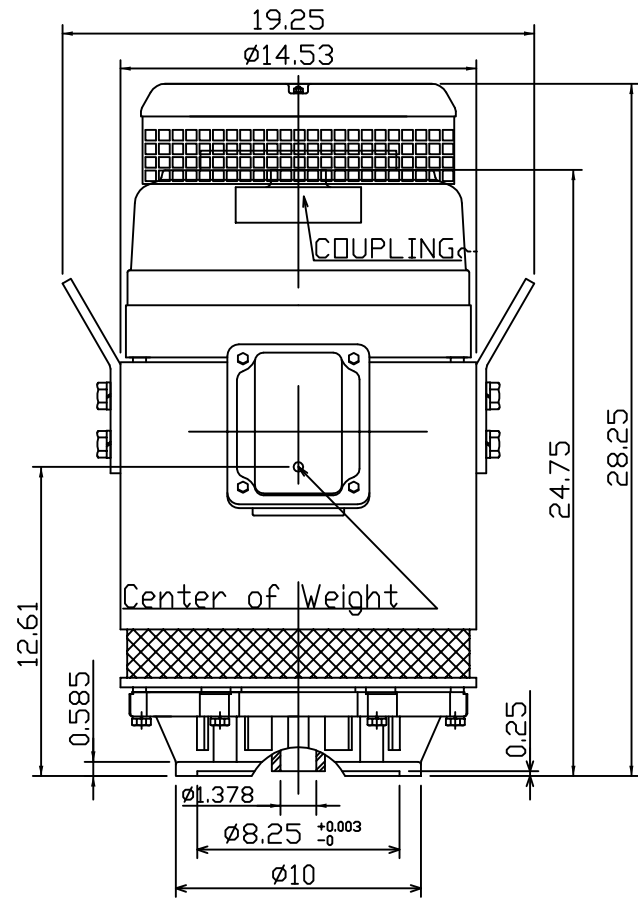
## 3-PHASE INDUCTION MOTOR

MOTOR TYPE:  
AMRCNH  
FRAME NO. 286TP

Pole	HP	kW	Hz	VOLT	Syn.Speed r/min(rpm)
4	30	22	60	230/460	1800

Ins	Rating	Dimension in	Approx Weight	Bearings
F	CONT.	inch	458 lbs	DE: 6312ZZC3NDE: 7312B

NEMA Weather Protected TYPE I (WP I) Squirrel-cage Rotor.



- Note:
1. Downthrust: 3350lbs.  
L10 - 8800 hours
  2. Rotation: CCW
  3. With N.R.R.
  4. Approx Reed  
Frequencies: 71.3 Hz

12.23.08

DWN.	???????	12 12 08
CHKD.	???????	12 23 08
APPD.	???????	12 23 08



DWG NO.  
31057H808121