

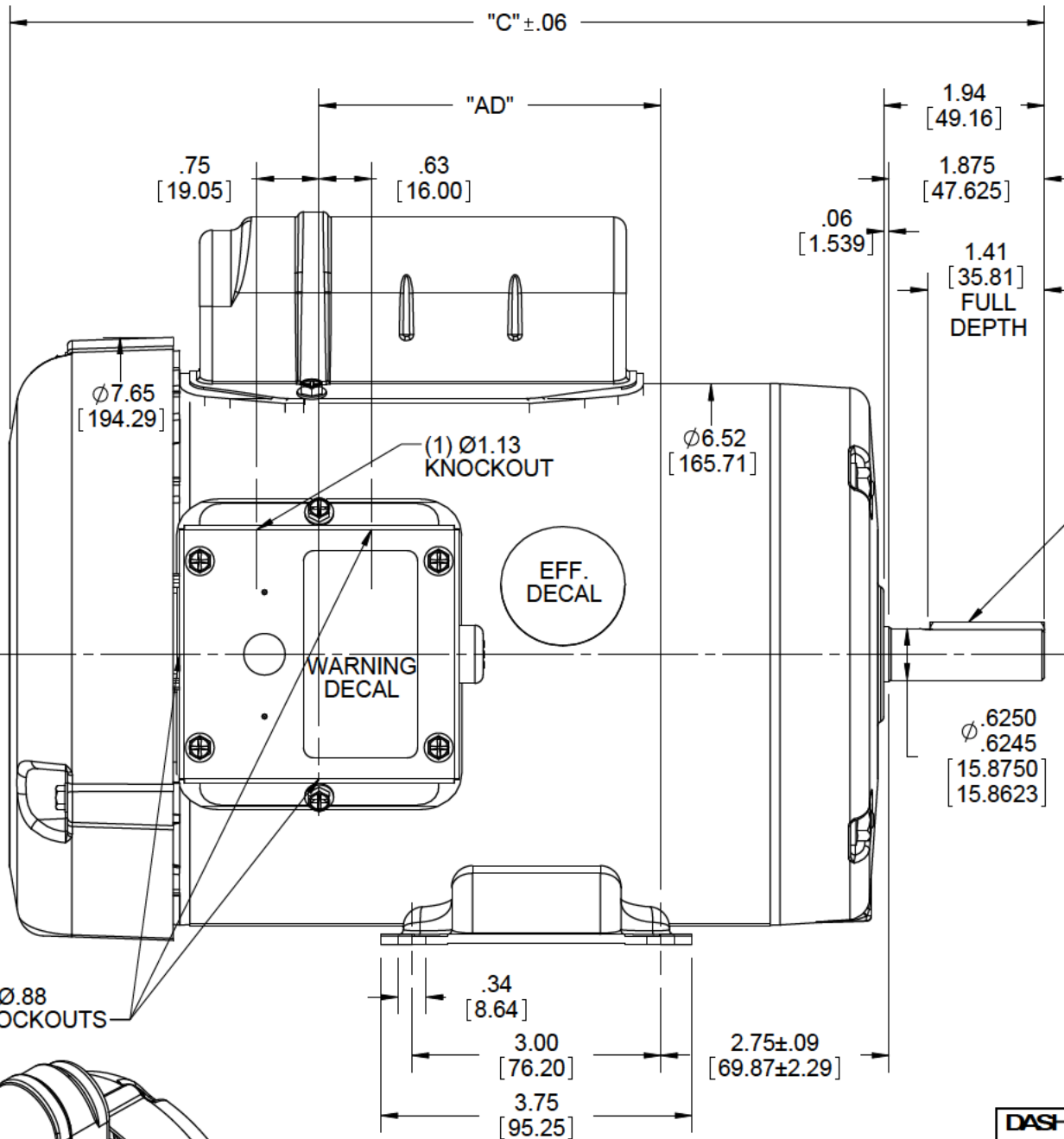
4

3

Uncontrolled Copy

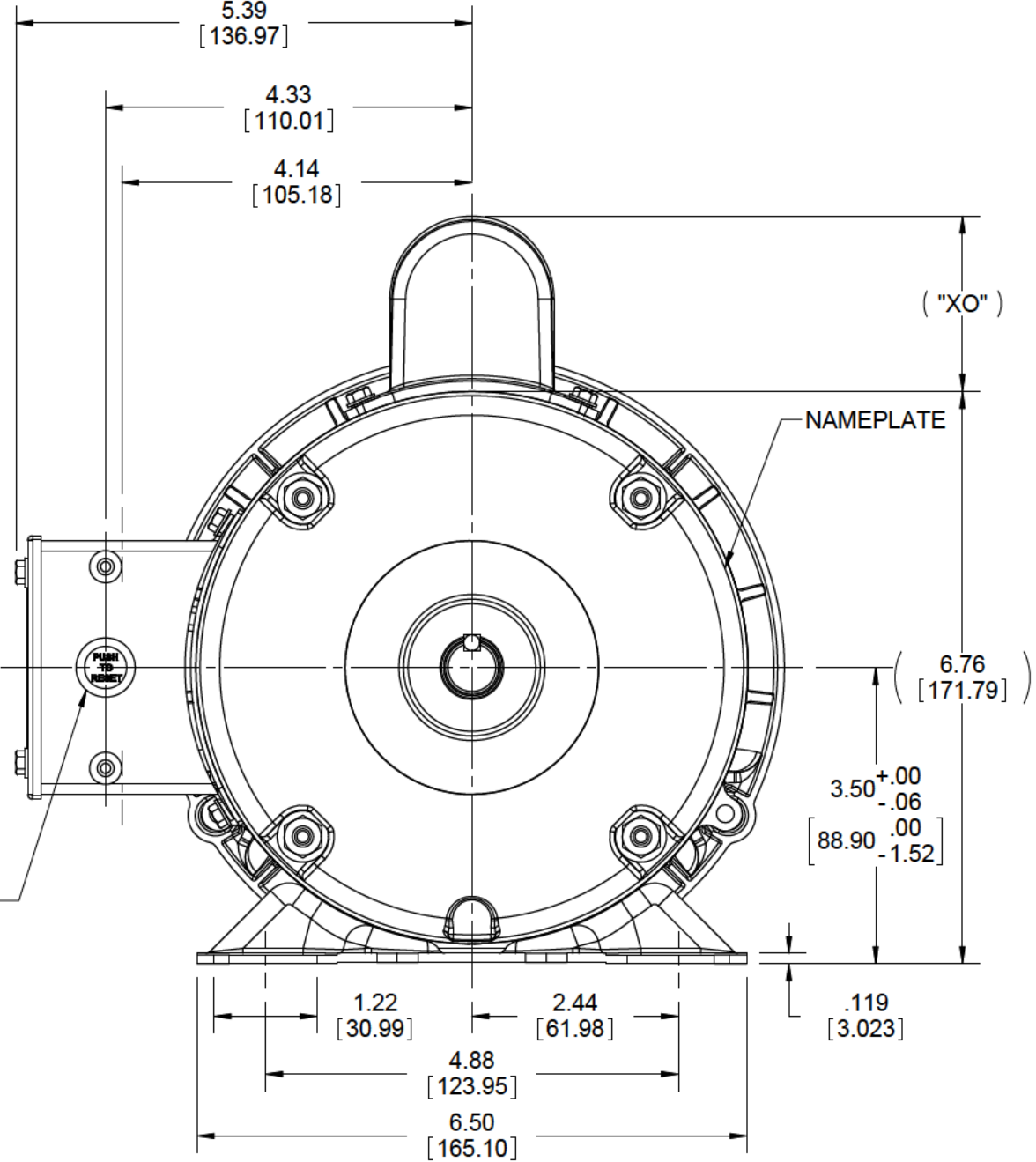
2

1



.19 SQ. x 1.38 KEY

MANUAL OVERLOAD WITH BUTTON COVER



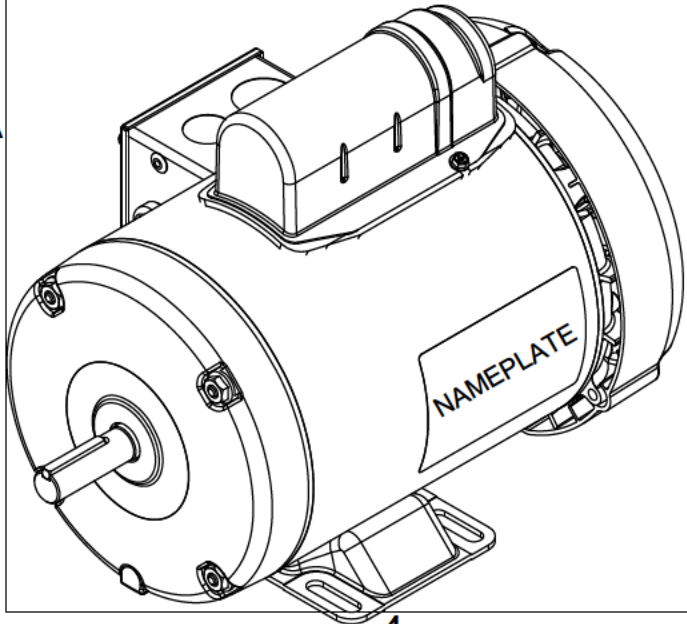
NAMEPLATE

B

B

A

A



DASH NO.	"C"	"AD"		
500	10.48	2.13	CAP	"XO"
550	10.98	2.63	DASH	"XO"
600	11.48	3.13	A	1.61
650	11.98	3.63	B	2.08
700	12.48	4.13	C	2.32

NOTES:
1) GASKETS THROUGHOUT

ORACLE REV	02
------------	----

DRAWING REVISION D	REVISION BY M. MCCALED	DATE 8/4/14
ECO ECO-0056788	APPROVED BY G. SCHALLOCK	DATE 8/4/14
ECO DESCRIPTION ADDED T-BOLT NUTS		
<small>COPYRIGHT REGAL BELOIT AMERICA, INC. ALL RIGHTS RESERVED. PROPRIETARY AND CONFIDENTIAL INFORMATION - THIS DOCUMENT IS THE PROPERTY OF REGAL BELOIT AMERICA, INC. ("OWNER") AND CONTAINS OWNER'S PROPRIETARY INFORMATION. ANY PERSON, CORPORATION OR OTHER FIRM RECEIVING IT IS DEEMED, BY RECEIVING IT, TO AGREE THAT IT, AND/OR ANY PART OF IT, SHALL NOT BE DISCLOSED TO ANY PERSON, CORPORATION OR OTHER ENTITY, DUPLICATED, AND/OR USED, EXCEPT AS EXPRESSLY APPROVED IN WRITING IN ADVANCE BY OWNER. THIS DOCUMENT SHALL BE RETURNED TO OWNER UPON REQUEST. IT MAY BE SUBJECT TO CERTAIN RESTRICTIONS UNDER APPLICABLE EXPORT CONTROL LAWS AND REGULATIONS.</small>		

TOLERANCES UNLESS OTHERWISE SPECIFIED:

DEC.	INCH	mm	ANGLE
X	±0.1	[±2.5]	±0.5°
XX	±0.03	[±0.76]	
XXX	±0.005	[±0.127]	
XXXX	±0.0005	[±0.0127]	

REMOVE BURRS & BREAK SHARP EDGES: .003/.015 [0.076/.381]
CORNER FILLETS: .02 [0.51]
MACHINED SURFACES: 125 INCH 3.2 mm SHOWN IN [BRACKETS]

DRAWN BY KMM 09/11/07	DATE
APPROVED BY	DATE
REFERENCE	DATE
THIRD ANGLE PROJECTION	

REGAL ™ Regal Beloit America, Inc.	
DESCRIPTION	OUTLINE TEFC - RIGID - 56 FRAME
MATERIAL	PROCESS/FINISH GENERAL PURPOSE
SIZE B	DRAWING NUMBER 028793
	SHEET 1 OF 1