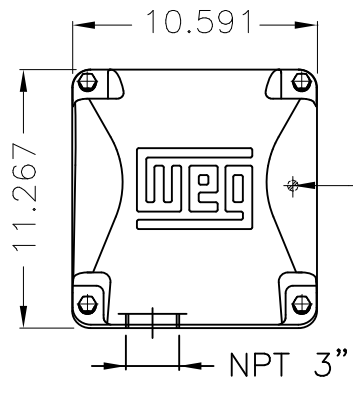


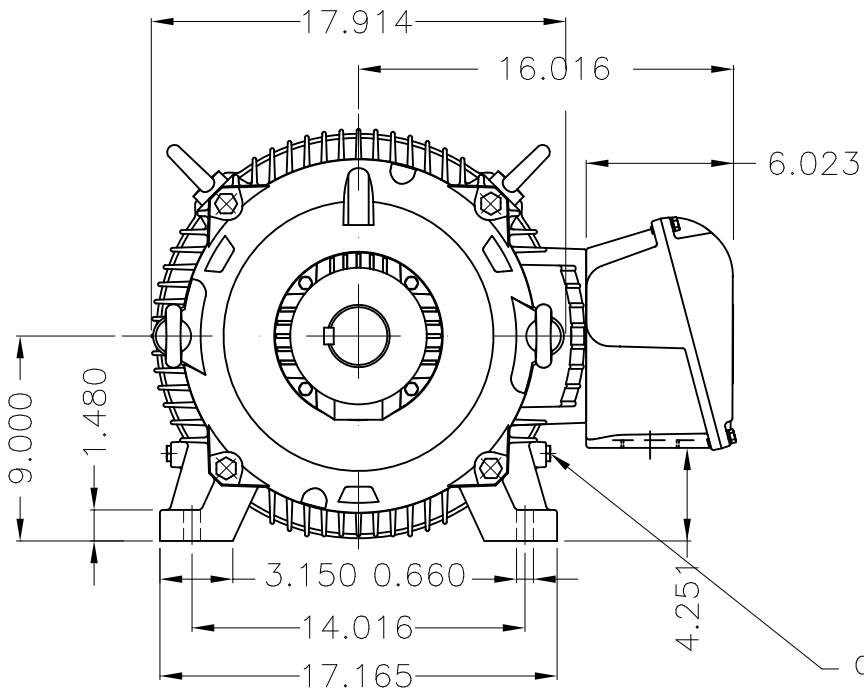
Dimensões em polegada
Dimensions in inches

THIS IS AN UPDATED REVISION, THE
PREVIOUS ONE MUST BE DISREGARDED.

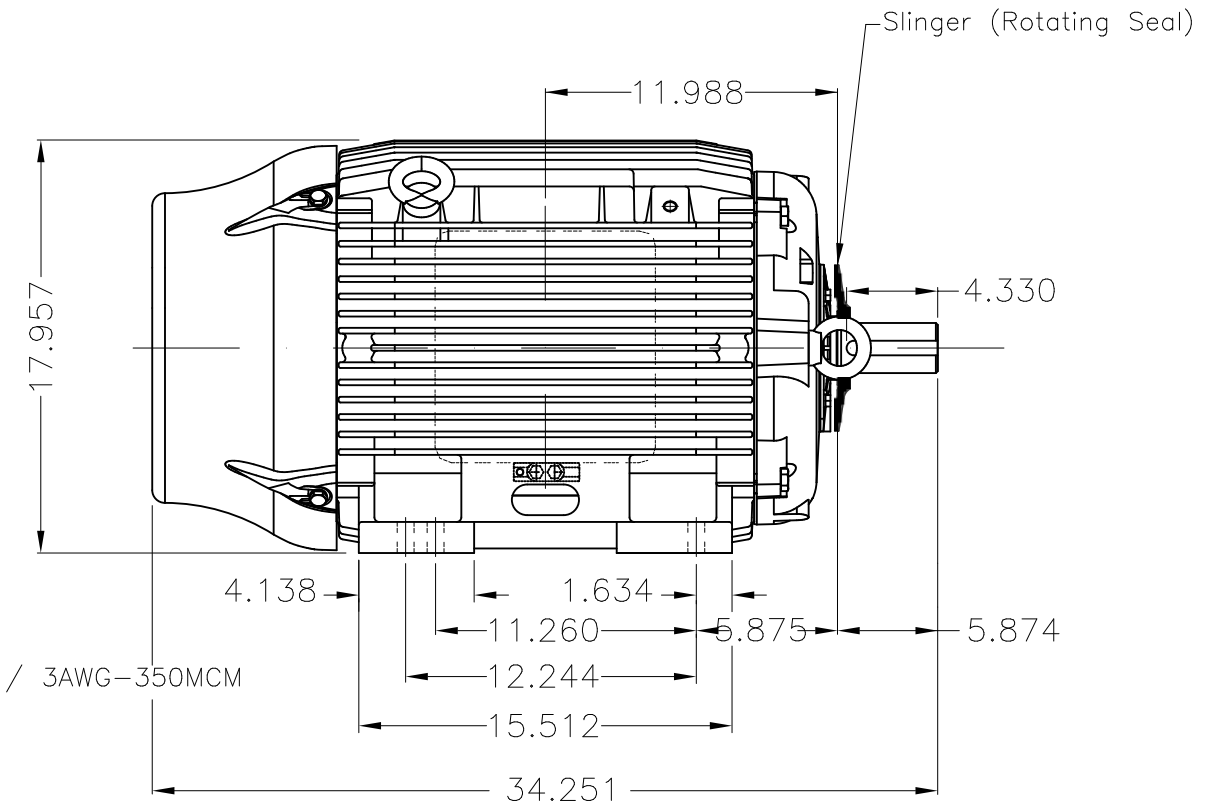


Grounding for leads 25-50 mm² / 3-1 AWG

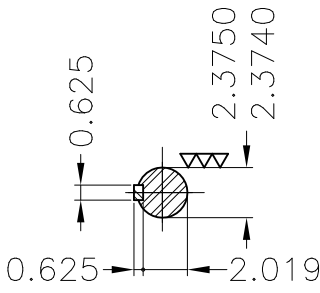
Main terminal box



Grounding for leads 25-185 mm² / 3AWG-350MCM



Slinger (Rotating Seal)



DE Shaft End

Color RAL 5009
Painting plan 202E
Mounting B3L(E)

| ECM | LOC | SUMMARY OF MODIFICATIONS | | | EXECUTED | CHECKED | RELEASED | DATE | VER |
|----------|------------|--------------------------|--|---------------------|----------|---------|----------|------|-----|
| EXECUTED | USERADMIN | | THREE PH W22 MOTOR COOLING TOWER HIGH EF | | | | | | |
| CHECKED | | | FRAME 364/5T IP55 TEFC | | | | | | |
| RELEASED | | | WEG code: 12174936 | | | | | | |
| REL DT | 24.07.2017 | WMO | Jaragua do Sul | Product Engineering | SHEET | 1 / 1 | | | |

12.5/50 HP 08/04 Poles 60Hz

A



ZME A3