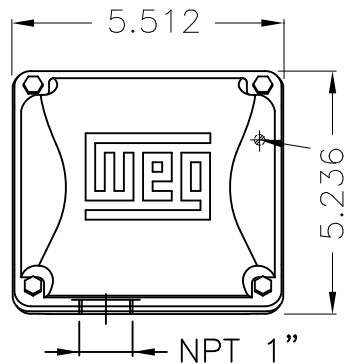


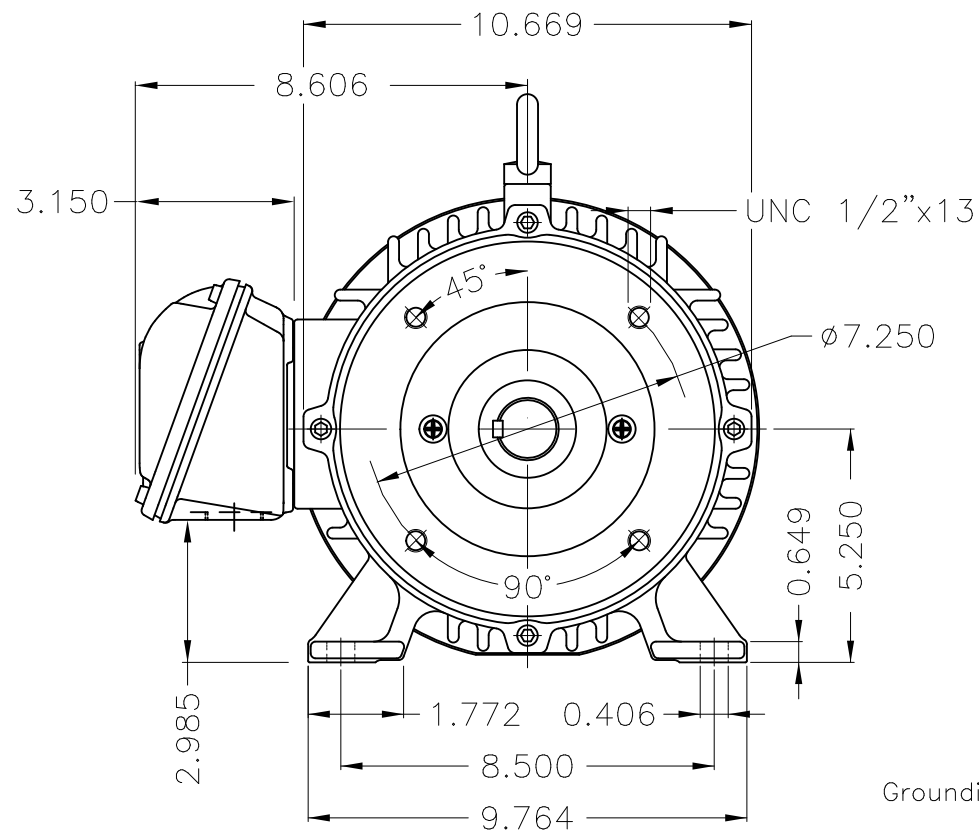
Dimensões em polegada
Dimensions in inches

THIS IS AN UPDATED REVISION, THE
PREVIOUS ONE MUST BE DISREGARDED.

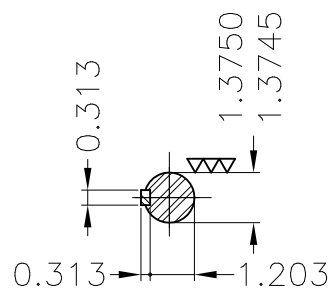
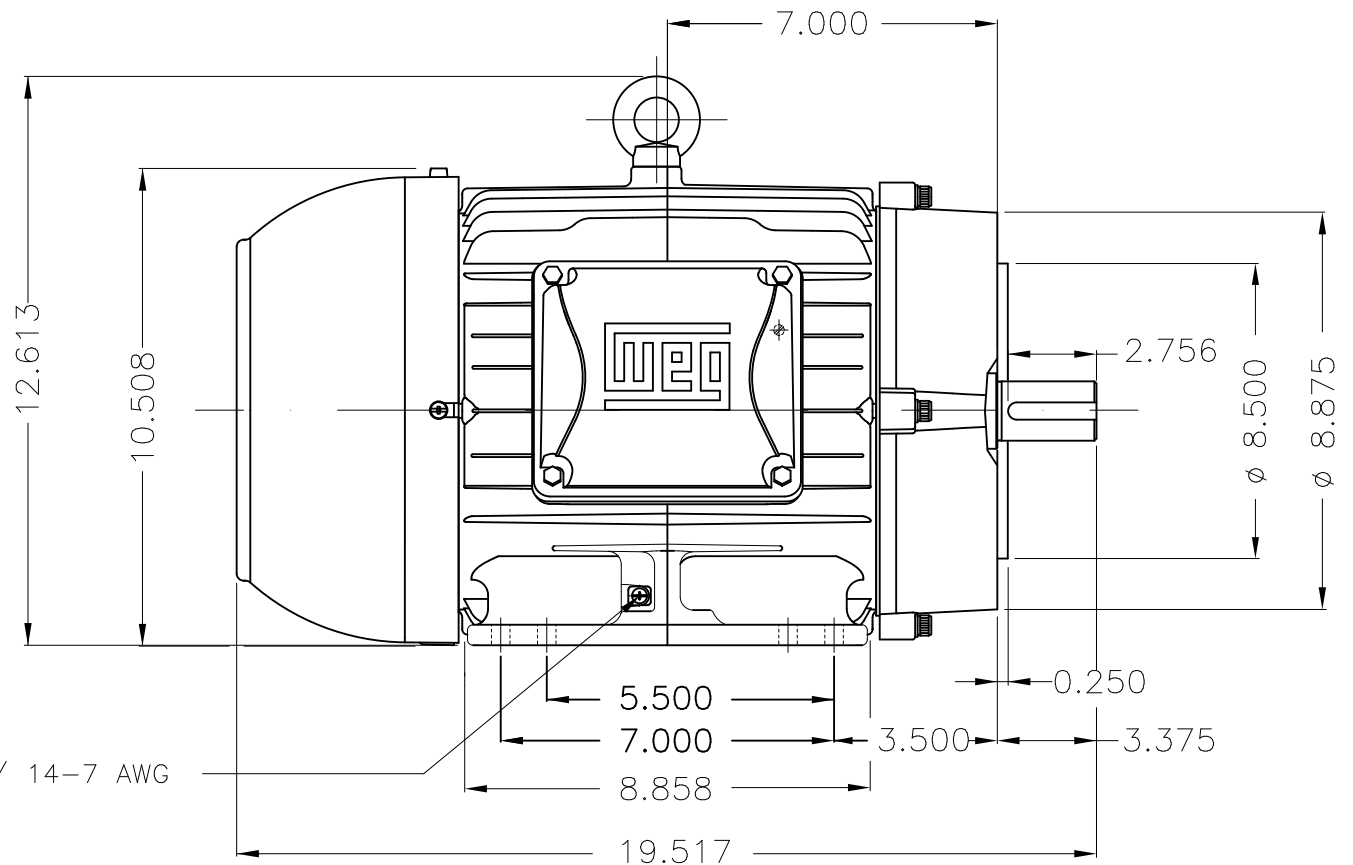


Grounding for leads 2-10 mm² / 14-7 AWG

Main terminal box

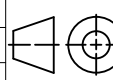


Grounding for leads 2-10 mm² / 14-7 AWG



DE Shaft End

Color RAL 5009
Painting plan 202E
Mounting B34R(D)

ECM	LOC	SUMMARY OF MODIFICATIONS			EXECUTED	CHECKED	RELEASED	DATE	VER
EXECUTED	USERADMIN	 THREE PH. W22 NEMA P.EFF MOTOR IEEE841 FRAME 213/5TC IP55 TEFC WEG code: 11768123							
CHECKED									
RELEASED									
REL DT	24.07.2017	WMO	Jaragua do Sul	Product Engineering	SHEET	1 / 1			

5 HP 06 Poles 60Hz

A



ZME A3