

DATE
JUNE 21, 2005
CATALOG NO.
EP7/545

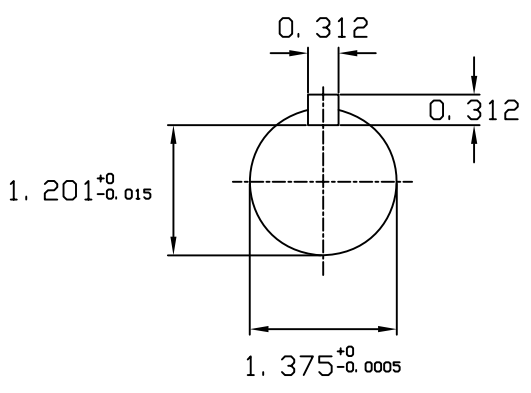
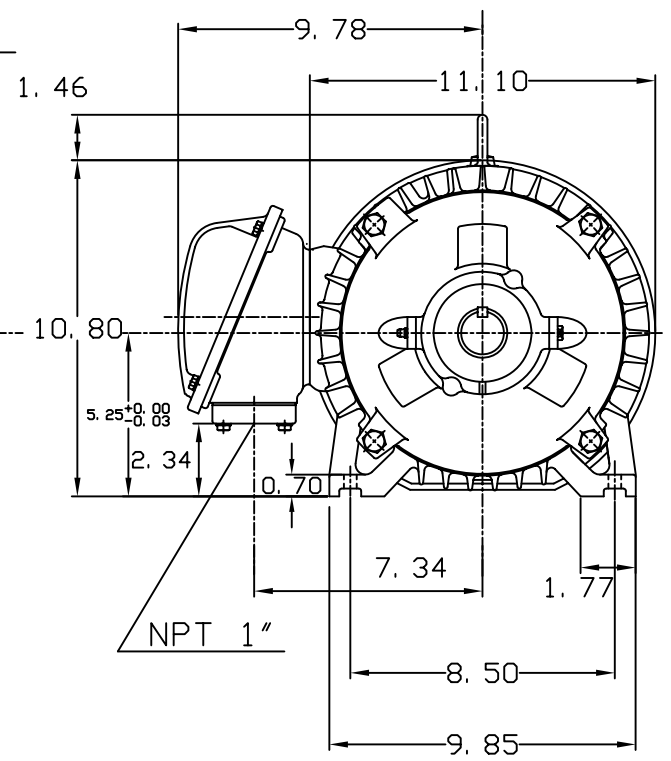
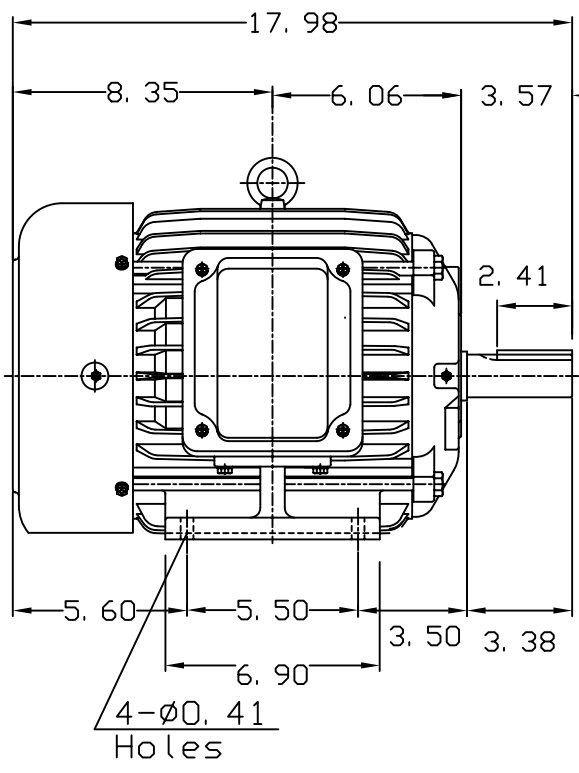
OUTLINE DIMENSIONS
3-PHASE INDUCTION MOTOR

MOTOR TYPE:
AEHH8N
FRAME NO. 213T

| Pole | HP | KW | Hz | VOLT | Syn. Speed RPM |
|------|-----|-----|----|------|-------------------|
| 4 | 7.5 | 5.6 | 60 | 575 | 1800 |

| Ins | Rating | Dimension in | Approx Weight | Bearings |
|-----|--------|--------------|---------------|------------------------|
| F | CONT. | inches | 167 lbs. | DE: 6308ZZ NDE: 6306ZZ |

Totally Enclosed Fan Cooled Squirrel Cage Rotor.



① 10.30.00 J. H. LIANG

| | | |
|-------|-------------|----------|
| DWN. | J. H. LIANG | 11-30-98 |
| CHKD. | C. S. LO | 12-29-98 |
| APPD. | Y. B. HUANG | 12-29-98 |



DWG NO.
31057H355004