

Product Information Packet

April 26, 2017

Data shown is for the current revision model #. Ensure your nameplate model # matches.

Model Number:	5KS447DAJ6023A
Catalog Number:	V4559
Instruction Manual:	GEK-95352
Connection Diagram:	GEM2034E-FIG7
Outline Drawing:	148CB49VMJKLGLA0001

Accessory Connection Diagrams			
Bearing Thermocouple:	None	Heater:	3027JE-1C
RTD:	None	Thermistor:	None
Thermostat:	3027JE-2A	Winding Thermocouple:	None
Bearing RTD:	None		

Table of Contents

Specification	01
Performance Characteristics	02
Outline Drawing	03
Connection Drawing(s)	04
Spare parts	05



Marks:

MODEL NUMBER:	5KS447DAJ6023A	Estimated Weight:	3200 Lbs
Outline Drawing:	148CB49VMJKLGLA0001	Time Rating:	CONT
Connection Diagram:	GEM2034E-FIG7	Enclosure:	WPI
Instruction Book:	GEK-95352	Encl Construction:	OPEN
Design Code:	49BD1251BB	Ambient Max(°C):	40
Type:	KS	Alt Ambient Max(°C):	--
Frame:	L447TP20	Insulation Class:	H
Phases:	3	NEMA Design:	B
Poles:	4	Nominal Efficiency:	95.8 %
Output Power:	300HP 222KW	Guaranteed Efficiency:	95.0
RPM:	1785	3/4 Load Efficiency:	96.4
Voltage:	575	KVA Code:	G
Hertz:	60	Max KVAR:	84.0
Amps - FL:	271.0	Power Factor:	86.5
Service Factor:	1.15	Bearing - DE:	6217C3
Alt Service Factor:	--	Bearing - ODE:	235A2536AB01

Enclosure is Weather Protected One

Stamped Nameplate Notes:

HTR LDS HE1-HE2 115V 145W
 ROT CCW FACING ODE LEAD/PH SEQ 1-2-3/1-2-3
 THERMOSTAT LEADS TB1-TB2 TRIP
 INVERTER DUTY PER NEMA MG1 PART 31
 ALTERNATE RATING FOR PWM CONTROL:1.0SF 40C AMBIENT
 VAR TORQUE RANGE 5-60 HZ

Additional Information:

4 POLE, VERT HOLLOW SHAFT HIGH THRUST (2D)
 SPECIAL BALANCE
 1260 CU IN - 2(4.00" NPT)
 BEARING LIFE 8760 HRS AT 20800 LB THRUST
 C/B GRD PLATE
 OIL RESISTANT SLEEVING ON LEADS
 115V HTR LDS TO MAIN CONDUIT BOX
 COUPLING NOT INCLUDED IN BOM, WILL BE
 ORDERED SEPERATELY
 AEGIS GROUNDING RING MOUNTED ON LOWER END BEARING CAP
 GROUND PAD ON FRAME
 INSULATED LOWER HALF COUPLING

Performance Characteristics

1st Winding 1st Connection

Design: 49BD1251BB

Marks:

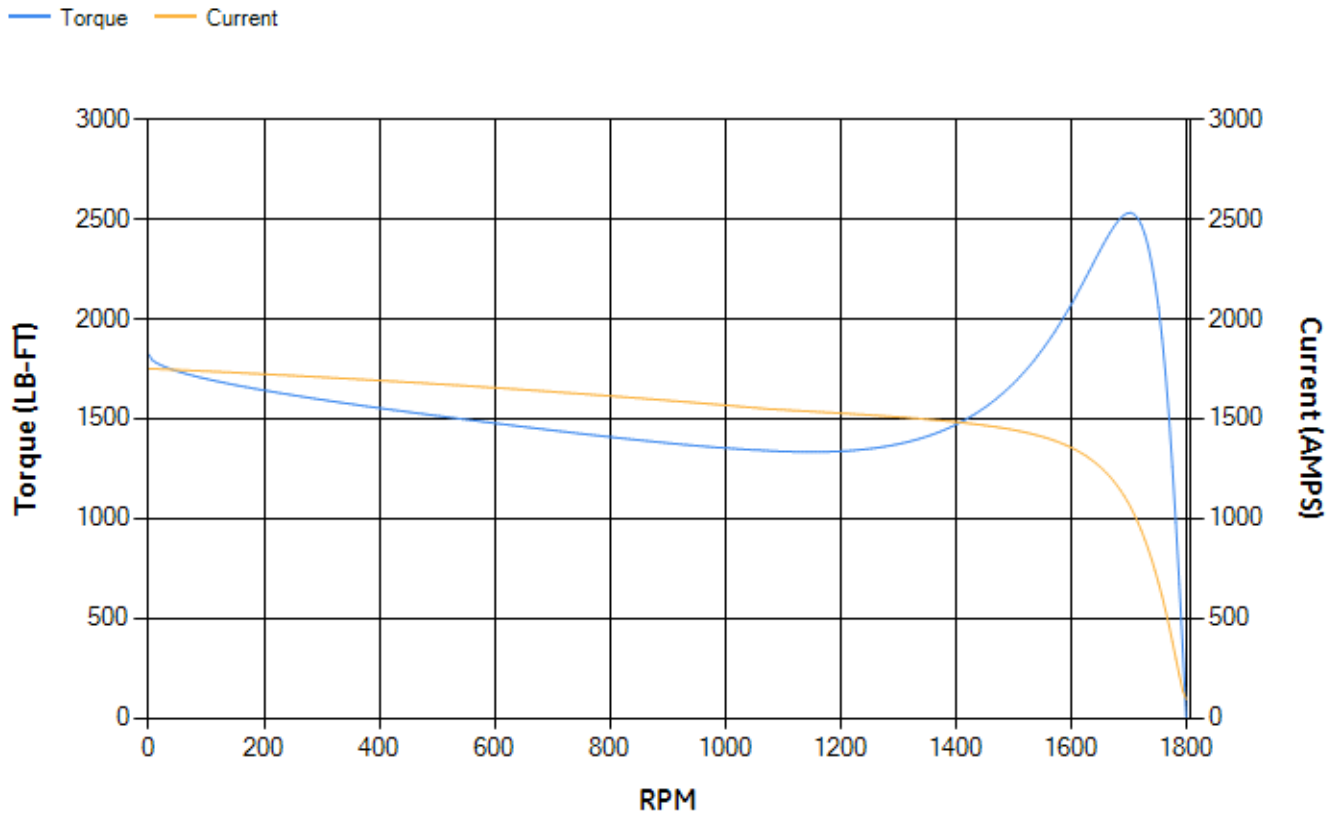
LOAD %	125.0	115.0	100.0	75.0	50.0	25.0	0.0
% EFF	94.81	95	95.42	95.35	94.86	92.16	0.00
% PF	87.7	87.37	86.45	83.07	74.72	53.09	4.46
AMPS	337.69	311.2	272.29	212.7	158.46	114.79	93.7

TORQ(FL)#FT	883.17	TORQ(LR)%FL	206.29	TORQ(BD)%FL	286.13
AMPS(LR)	1750.76	PF AT START	0.33		

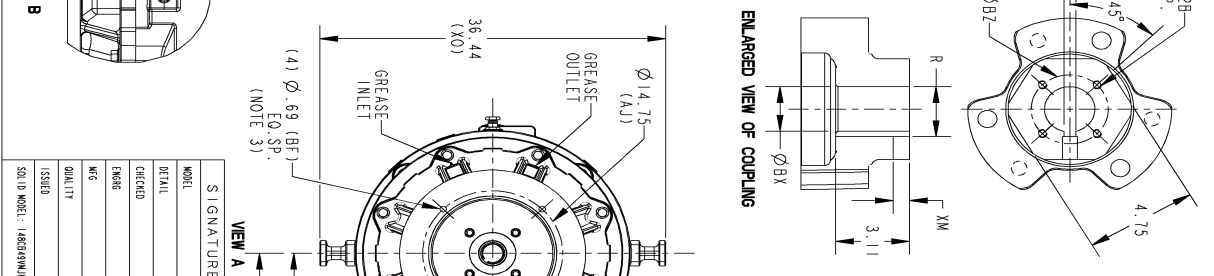
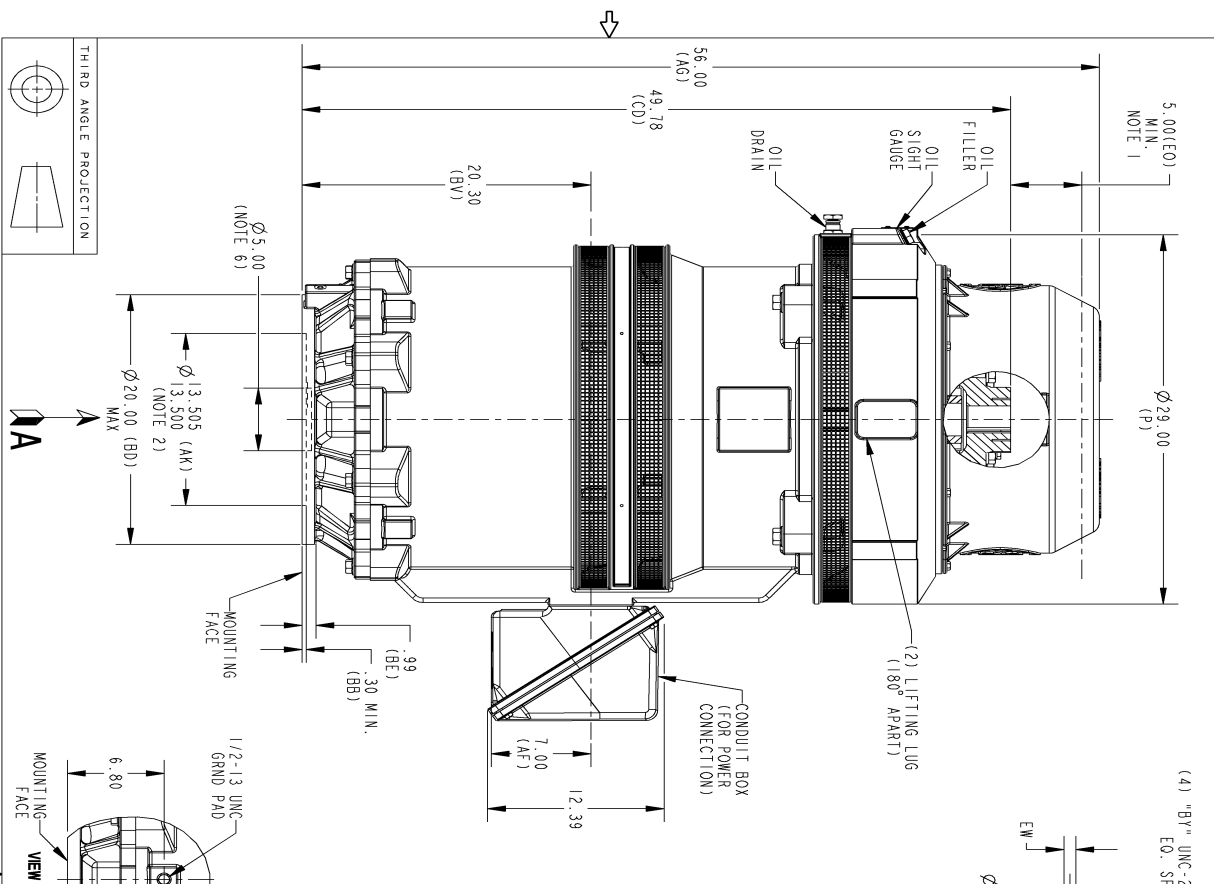
This motor is capable of two cold or one hot start with a maximum connected load inertia of 4143 Lb-Ft Sq (174.42 Kg-meter Sq)at 100% voltage, where the load torque varies with the square of the speed. Acceleration time with maximum inertia and the above load type is 19 seconds. Safe stall time at 100% voltage is 36 seconds cold, 23 seconds hot. Rotor inertia is 85.57 Lb-Ft Sq (3.6 Kg-meter Sq).

Open Circuit A-C:	0.809	Short Circuit D-C:	0.03
Short Circuit A-C:	0.038	X/R Ratio:	11.403
Stator Slots:	72	Rotor Slots:	58

Speed Torque Current Curve (First Connection, First Speed)



Marks:



REV.	DESCRIPTION	DATE	APPROVED
1	ISAC#16-0728	07/21/16	SASI

REV.	DESCRIPTION	DATE	APPROVED
1	ISAC#16-0728	07/21/16	SASI

COUPLING DIMENSIONS		KEY WAY	
BOX	BY	EW	XM
1.501	1/4-20	2.125	.315
1.688	1/4-20	2.500	.375
1.751	1/4-20	2.500	.375
1.813	1/4-20	2.500	.375
1.938	1/4-20	2.500	.500
2.001	3/8-16	3.250	.500
2.063	3/8-16	3.250	.500
2.126	3/8-16	3.250	.500
2.188	3/8-16	3.250	.500
2.251	3/8-16	3.250	.500
2.316	3/8-16	3.250	.500
2.438	3/8-16	3.250	.625
2.501	3/8-16	3.250	.625

DIMENSIONS IN INCHES		NEMA TYPE P BASE	
BOX	BY	EW	XM
1.501	1/4-20	2.125	.315
1.688	1/4-20	2.500	.375
1.751	1/4-20	2.500	.375
1.813	1/4-20	2.500	.375
1.938	1/4-20	2.500	.500
2.001	3/8-16	3.250	.500
2.063	3/8-16	3.250	.500
2.126	3/8-16	3.250	.500
2.188	3/8-16	3.250	.500
2.251	3/8-16	3.250	.500
2.316	3/8-16	3.250	.500
2.438	3/8-16	3.250	.625
2.501	3/8-16	3.250	.625

NOTES:

- THE TOTAL HEIGHT OF PUMP SHAFT AND LOCKING NUT ABOVE COUPLING MUST NOT EXCEED THIS DIMENSION.
- TOLERANCE ON FACE ROUNDOFF AND PERMISSIBLE ECCENTRICITY OF MOUNTING RABBET ARE .007 T.1.R
- CENTRE OF MOUNTING BOLTS WITHIN 0.025 OF ANGULAR & DIAMETRICAL LOCATION WITHIN REFERENCE TO THE CENTRAL LINE OF MOUNTING RABBET.
- PROVIDED MOUNTING CONDITIONS PERMIT, CONDUIT BOX MAY BE TURNED SO THAT ENTRANCE CAN BE MADE UPWARD, DOWNWARD OR FROM EITHER SIDE.
- FOR ESTIMATING ONLY UNLESS ENDORSED FOR CONSTRUCTION.
- MAINTAIN MINIMUM CLEARANCE FOR SHAFT SLINGER.

GE Motors

GENERAL ELECTRIC COMPANY

MODEL: 5KS447DAJ6023A

DATE: 04/26/2017

DESIGNED: SASI

ENG: SASI

QC: SASI

ISSUED: SASI

SCALE: 0.120 REF. No.

TITLE: OUTLINE, NEMA WPI 447-449

VERTICAL HOLLOW SHAFT-HIGH THRUST GGS LOWER

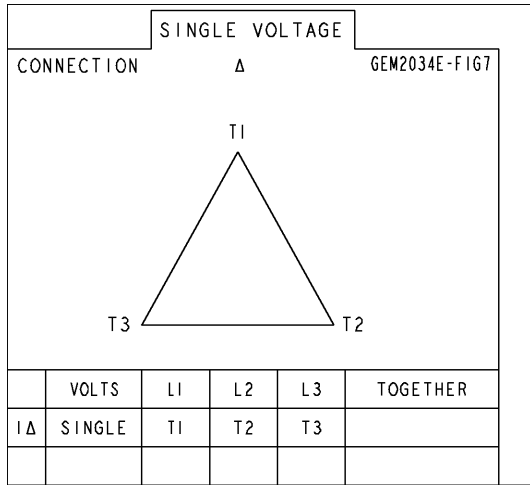
200 BD, 1260 CU. IN. C/BOX GRAND PAD

148CB49VMJKLGLA0001

SHEET 1 OF 1

Marks:

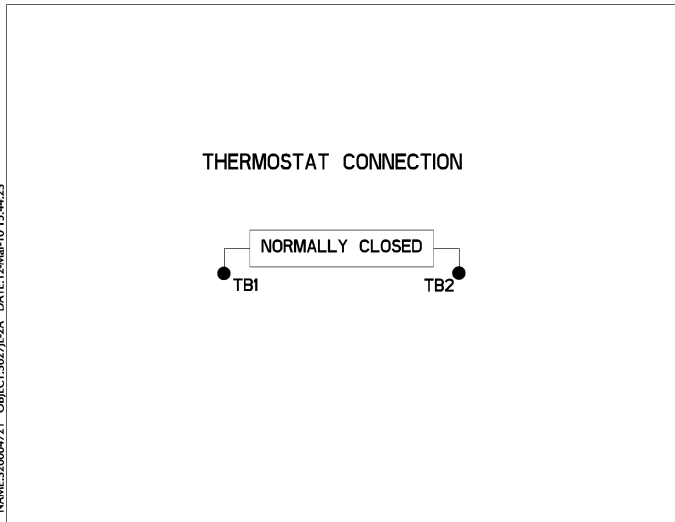
Connection Diagram
GEM2034E-FIG7



Heater Connection
3027JE-1C



Thermostat Connection
3027JE-2A



End shield Assembly		
Part Description	DE Side Part#	ODE Side Part#
End Shield	115E7661AA1	115E7670LA1
Bearing	235A2522AJ01	235A2536AB01
Slinger/Inproseal		

Fan & Fan Cover Assembly	
Part Description	Part#
Fan	
Fan Cover	149C4050AA1

Conduit & Accessories Box Assembly	
Part Description	Part#
Conduit Box	179B9058G03

Mechanical Accessories	
Part Description	Part#
Brake	
Tachometer	