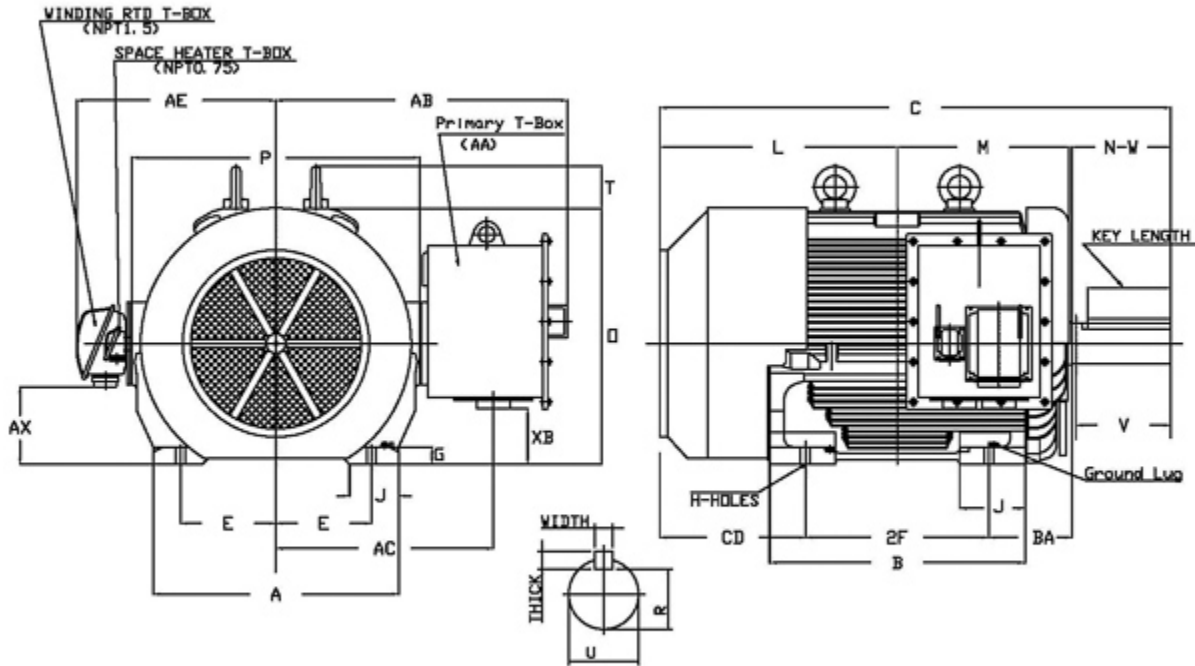


Dimensional Drawing

| Catalogue | Model | HP | Pole | kW | Rating | Voltage | Hz | RPM |
|-----------|--------|-----|------|-----|------------|---------|----|------|
| HT4504R | AEEAGD | 450 | 4 | 336 | Continuous | 460 V | 60 | 1800 |



| Frame Size | Mounting | | | | | A | B | C | CD | D | |
|------------------|----------|-------|----------|------|-----------------------|----------------|---------------|-------|--------------|------------|--------------|
| | E | 2F | 2F2 | H | BA | | | | | | |
| 5808C | 11.5 | 28 | | 1.13 | 10 | 29.55 | 36.6 | 67.38 | 17.5 | 14.5 | |
| G | J | K | L | M | O | P | T | Key | | | Keyseat R |
| | | | | | | | | Width | Thick | Length | |
| 2.1 | 5.9 | 9.65 | 31.5 | 23.4 | 30.7 | 35.4 | 5.05 | 1.25 | 1.25 | 10 | 4.169 |
| Terminal Housing | | | Aux Box | | | C/D Flange | | | | | |
| AA | AB | AC | XB | AE | AX | BB | AH | AK | BD | AJ | BF |
| 2x 3 NPT | 29.35 | 26.14 | 6.75 | 24 | 9.3 | | | | | | |
| Shaft Extension | | | Bearings | | Approx. Weight Lbs | SPL dBA/3ft | Ins. Class | S.F. | Drive Method | Dimensions | |
| N-W | U | V | DE | NDE | | | | | | | |
| 11.88 | 4.875 | 11.38 | NU326 | 6322 | 4850 | 95 | F | 1.15 | Belt Drive | Inches | |

Technical Data Sheet

Motor Type: AEEAGD

Catalogue No: HT4504R

Nameplate Information

| | | | | | | |
|-----------|------------|----------------|-------------|-------------|--------------|----------------|
| HP | Pole | RPM | Frame | Voltage | Hz | Phase |
| 450 | 4 | 1785 | 5808C | 460 | 60 | 3 |
| Enclosure | Ins. Class | Service Factor | Time Rating | NEMA Design | Rated Amb. | Rated Altitude |
| TEFC | F | 1.15 | Continuous | C | -40 to 40 °C | <3300 ft |

Typical Performance

| Efficiency (%) | | | | Power Factor (%) | | |
|-------------------|-----------------------------|---------------------------------|--------------------------------------|---------------------|-----------|--------------------------------|
| Full Load | | 3/4 Load | 1/2 Load | Full Load | 3/4 Load | 1/2 Load |
| Nom. | Min. | | | | | |
| 95.4 | 94.5 | 94.0 | 92.4 | 89.5 | 87.5 | 82.0 |
| Torque | | | | Current (A) | | |
| Full Load (lb-ft) | Locked Rotor (% FLT) | Pull Up (% FLT) | Break Down (% FLT) | No Load | Full Load | Locked Rotor |
| 1324.00 | 200 | 160 | 250 | 103.0 | 493.5 | 3250 |
| NEMA KVA Code | Inertia (WR ²) | | | Safe Stall Time (s) | | Noise Level Sound Press. dB(A) |
| | Rotor (lb-ft ²) | NEMA Load (lb-ft ²) | Max. Allowable (lb-ft ²) | Cold | Hot | |
| G | 260.000 | 1714 | 3428 | 20 | 15 | 95 |

VFD Duty Information

| Speed Range | | | VFD | | S.F. |
|-----------------|-----------------|----------------|---------|--------------|----------|
| Constant Torque | Variable Torque | Constant Power | Carrier | Type | |
| 20-60Hz | 3-60Hz | 60-120Hz | ≤ 3 kHz | VPWM or CPWM | 1.0 Only |

Additional Information

| Bearings | | Approx. Weight |
|----------|------|----------------|
| DE | NDE | lbs |
| NU326 | 6322 | 4850 |

Hazardous Locations Information

| | |
|----------------------------|---|
| Temp Code (Sinewave / VFD) | / |
|----------------------------|---|